

# BAXI

## MAINFOUR 240 F

EN

**High performance gas-fired wall-mounted boilers**

Operating and installation instructions

ES

**Caldera mural de gas de alto rendimiento**

Manual para el usuario y el instalador

EL

GR

**Επιτοίχιος λέβητας αερίου υψηλής αποδοσης**

ΕΓΧΕΙΡΙΔΙΟ ΧΡΗΣΗΣ ΓΙΑ ΤΟ ΧΡΗΣΤΗ ΚΑΙ ΤΟΝ ΕΓΚΑΤΑΣΤΑΤΗ

RU

**Высокопроизводительные настенные газовые котлы**

Руководство по установке и эксплуатации

HU

**Magas hozamú fali gázkazán**

Felhasználói és szerelői kézikönyv

CS

CZ

**plynové závěsné kotle s vysokou účinností**

Návod na použití pro uživatele a instalatéry

SK

**Plynové závesné kotly s vysokou účinnosťou**

Návod na použitie pre užívateľov a inštalatérov

RO

**Centrale murale pe gaz cu randament ridicat**

Instrucțiuni pentru instalator și pentru utilizator

CE 0051



MP02

Dear Customer,

We are confident your new boiler will meet all your requirements.

All **BAXI** products have been designed to give you what you are looking for: good performance combined with simple and rational use.

Please do not put away this booklet without reading it first as it contains some useful information which will help you to operate your boiler correctly and efficiently.

Do not leave any packaging (plastic bags, polystyrene, etc.) within the reach of children as they are a potential source of danger.


**BAXI** declares that these models of boiler bear the CE mark in compliance with the basic requirements of the following Directives:

- Gas Directive 2009/142/EC
- Efficiency Directive 92/42/EEC
- Electromagnetic Compatibility Directive 2004/108/EC
- Low Voltage Directive 2006/95/EC



## CONTENTS

### INSTRUCTIONS FOR USERS

1. Instructions prior to installation	3
2. Instructions prior to commissioning	3
3. Commissioning the boiler	4
4. Adjusting ambient temperature and DHW temperature	4
5. Description of button  (Summer - Winter - Heating only - Off)	5
6. Filling the system	5
7. Turning off the boiler	5
8. Gas conversion	5
9. Prolonged shutdown. Frost protection (central heating circuit)	6
10. Troubleshooting	6
11. Routine maintenance instructions	6

### INSTRUCTIONS FOR FITTERS

12. General information	7
13. Instructions prior to installation	7
14. Installing the boiler	8
15. Dimensions of boiler	8
16. Installation of flue and air ducts	9
17. Connecting the mains supply	13
18. Connecting the ambient thermostat	13
19. Gas conversion methods	14
20. Visualisation of electronic board parameters on boiler display ("info" function)	16
21. Parameters setting	17
22. Adjustment and safety devices	18
23. Positioning the ignition and flame-sensor electrode	19
24. Checking combustion parameters	19
25. Output/pump head performance	19
26. Connecting the external probe	20
27. Annual servicing	20
28. Circuit diagram	21
29. Illustrated wiring diagram	22
30. Technical data	23



**BAXI S.p.A.**, a leading European manufacturer of hi-tech boilers and heating systems, has developed CSQ-certified quality management (ISO 9001), environmental (ISO 14001) and health and safety (OHSAS 18001) systems. This means that BAXI S.p.A. includes among its objectives the safeguard of the environment, the reliability and quality of its products, and the health and safety of its employees. Through its organisation, the company is constantly committed to implementing and improving these aspects in favour of customer satisfaction



# 1. INSTRUCTIONS PRIOR TO INSTALLATION

This boiler has been designed to heat water to a temperature lower than boiling point at atmospheric pressure. It must be connected to a central heating system and to a domestic hot water supply system according to its performance and power output.

Before having the boiler installed by a qualified service engineer, make sure the following operations are performed:

- a) Make sure that the boiler is adjusted to use the type of gas delivered by the gas supply. To do this, check the markings on the packaging and the rating plate on the appliance.
- b) Make sure that the flue terminal draft is appropriate, that the terminal is not obstructed and that no exhaust gases from other appliances are expelled through the same flue duct, unless the latter has been specially designed to collect exhaust gas from more than one appliance, in compliance with current laws and regulations.
- c) Make sure that, if the boiler is connected to existing flue ducts, these have been thoroughly cleaned as residual products of combustion may detach from the walls during operation and obstruct the flow of fumes.
- d) To ensure correct operation and maintain the warranty, observe the following precautions:

## 1. DHW circuit:

- 1.1. If the water is harder than 20 °F (1 °F = 10 mg calcium carbonate per litre of water), install a polyphosphate dispenser or an equivalent treatment system, compliant with current regulations.
- 1.2. Thoroughly flush the system after installation of the appliance and before use.
- 1.3. The materials used for the domestic hot water circuit of the product comply with Directive 98/83/EC.

## 2. Heating circuit

### 2.1. new system

Before proceeding with installation of the boiler, the system must be cleaned and flushed to eliminate residual thread-cutting swarf, solder and any solvents, using suitable proprietary products. To avoid damaging metal, plastic and rubber parts, only use neutral cleaners, i.e. non-acid and non-alkaline. Recommended cleaning products are: SENTINEL X300 or X400 and FERNOX Regenerator for heating circuits. Use these products in strict compliance with the manufacturers' instructions.

### 2.2. existing plant:

Before installing the boiler, drain the system and clean it to remove sludge and contaminants, using suitable proprietary products as described in section 2.1. To avoid damaging metal, plastic and rubber parts, use only neutral cleaners, i.e. non-acid and non-alkaline such as SENTINEL X100 and FERNOX Protector for heating circuits. Use these products in strict compliance with the manufacturers' instructions. Remember that the presence of foreign bodies in the heating system can adversely affect boiler operation (e.g. overheating and excessive noise of the heat exchanger).

---

**Failure to observe the above will render the guarantee null and void.**

---

# 2. INSTRUCTIONS PRIOR TO COMMISSIONING

Initial lighting of the boiler must be carried out by an authorised Service Engineer who must first ensure that:

- a) the rated data correspond to the supply (electricity, water and gas) data;
- b) the installation complies with current laws and regulations;
- c) the appliance is correctly connected to the power supply and earthed.

The names of the authorised Service Centres are indicated in the attached sheet.

Failure to observe the above will render the guarantee null and void.

Prior to commissioning, remove the protective plastic coating from the boiler. Do not use any tools or abrasive detergents to do this as you may damage the painted surfaces.

---

***The instructions shall state the substance of the following:***

***This appliance is not intended for use by persons (including children) with reduced physical, sensory or mental capabilities, or lack of experience and knowledge, unless they have been given supervision or instruction concerning use of the appliance by a person responsible for their safety.***

***Children should be supervised to ensure that they do not play with the appliance.***

---

### 3. COMMISSIONING THE BOILER

To light the boiler correctly, proceed as follows:

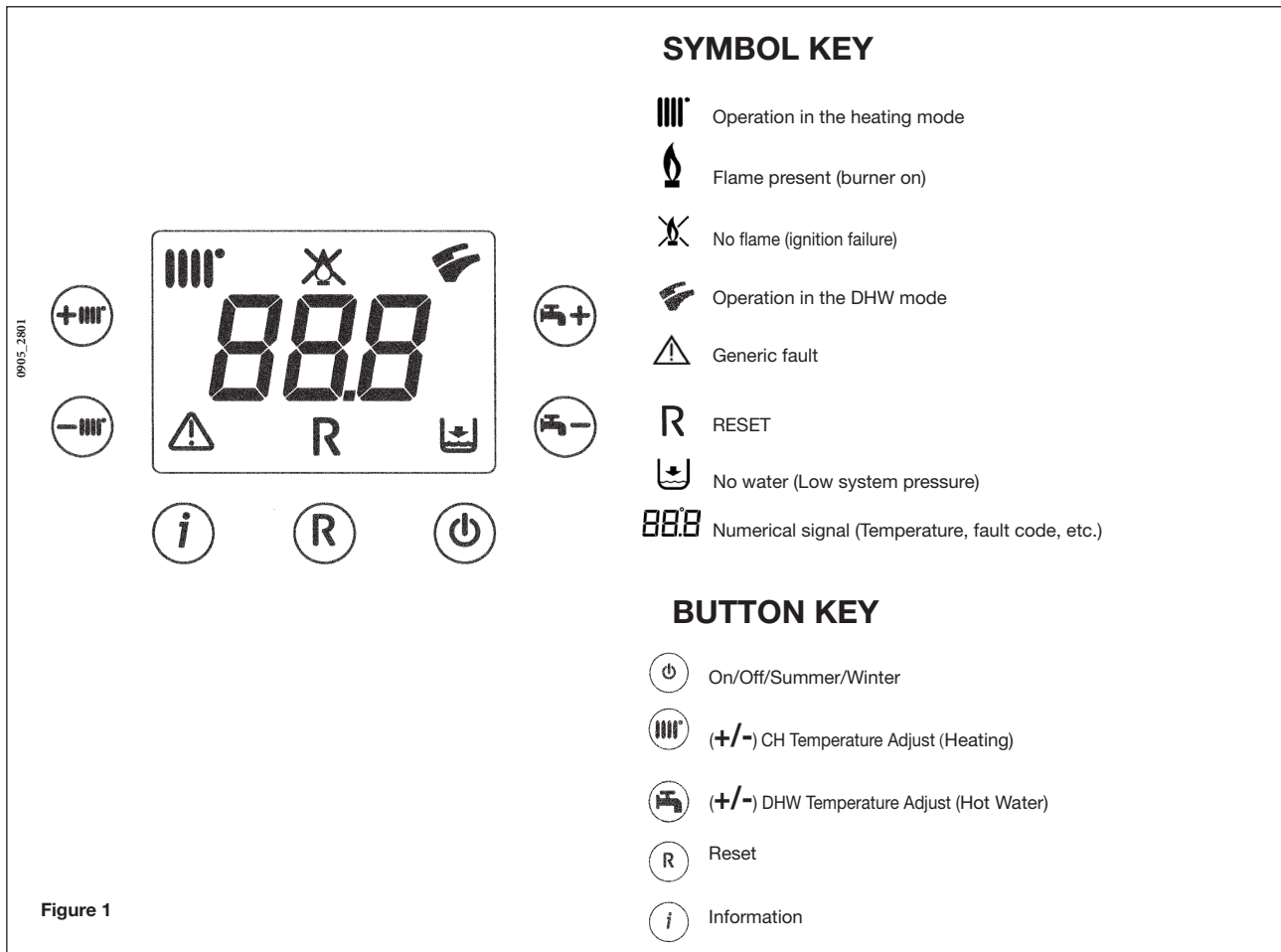
- 1) power the boiler
- 2) open the gas tap;
- 3) press the button (🔌) and switch the boiler to Summer (☀️), Winter (☀️ ||||) or heating only (||||);
- 4) press the heating circuit (||||) and domestic hot water circuit (🚿) temperature adjustment buttons (+/-) in order to ignite the main burner.

When the boiler is lit, the symbol (🔥) will appear on the display.

In the Summer position (☀️) the main burner will only ignite if a DHW tap is turned on.

#### Warning:

During initial ignition, the burner may not ignite (causing the boiler to shut down) until any air in the gas pipes is vented. In this case, repeat the ignition procedure until gas reaches the burner. Press button (R), for at least 2 seconds.



### 4. ADJUSTING AMBIENT TEMPERATURE AND DHW TEMPERATURE

The system must be equipped with an ambient thermostat for controlling the room temperature.

Adjust the ambient temperature (||||) and the DHW temperature (🚿) by pressing the respective +/- buttons (figure 1).

The ignition of the burner is shown on the display with the symbol (🔥) as described in section 3.1.

#### HEATING

While the boiler is operating in heating mode, the display (figure 1) shows the flashing symbol (||||) and the heating delivery temperature (°C).


#### DOMESTIC HOT WATER



While the boiler is operating in DHW mode, the display (figure 1) shows the flashing symbol (🚿) and the DHW output temperature (°C).


## 5. DESCRIPTION OF BUTTON (Summer - Winter - Heating Only - Off)


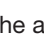
Press this button to set the following boiler operating modes:

- SUMMER
- WINTER
- HEATING ONLY
- OFF

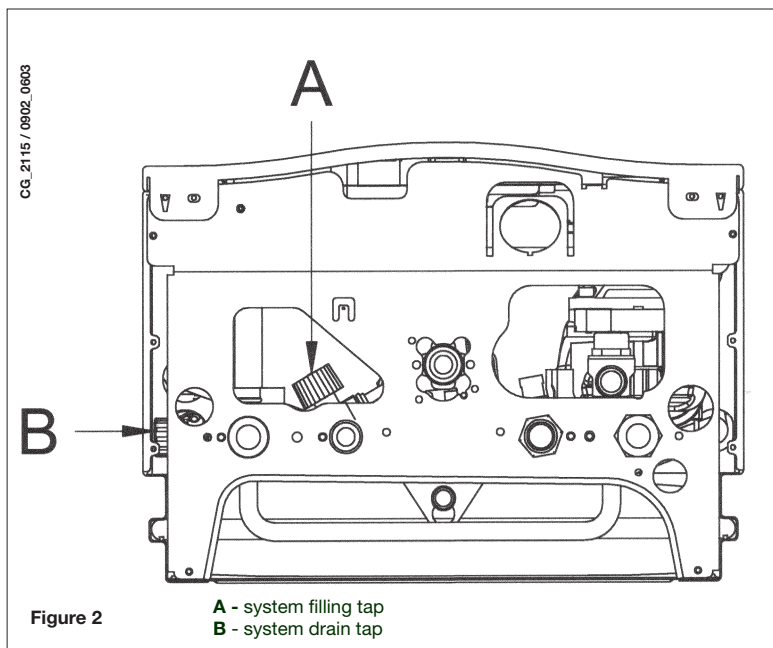
In **SUMMER** mode, the display shows . The boiler satisfies requests for DHW only while central heating is NOT enabled (ambient frost protection function active).

In **WINTER** mode, the display shows  and . The boiler satisfies requests for both DHW and central heating (ambient frost protection function active).

In **HEATING ONLY** mode, the display shows . The boiler satisfies requests for central heating only (ambient frost protection function active).

In **OFF** mode, the display shows neither of the above two symbols ( ). In this mode only the ambient frost protection function is enabled, any other request for DHW or heating is not satisfied.

## 6. FILLING THE SYSTEM



### WARNING

Disconnect the boiler from the mains power supply using the two-pole switch.

**IMPORTANT:** Regularly check that the pressure displayed on the pressure gauge is 0.7 - 1.5 bar, with the boiler cold. In case of overpressure, open the boiler drain tap. In case of insufficient temperature, open the boiler filling tap (figure 3). Open the tap very slowly in order to vent the air.

The boiler is fitted with a hydraulic pressure gauge which prevents the boiler from working if there is no water.

**NOTE:** In case pressure drops occur frequently, have the boiler checked by an authorised Service Engineer.

## 7. TURNING OFF THE BOILER

To switch off the boiler, disconnect the electric power supply.

In OFF mode (section 5) the boiler remains off (the display indicates OFF) but the electrical circuits remain live and the frost protection device is enabled (section 9).

## 8. GAS CONVERSION

The boilers can operate both on natural gas and **LPG**.

All gas conversions must be made by an authorised Service Engineer.

## 9. PROLONGED SHUTDOWN. FROST PROTECTION

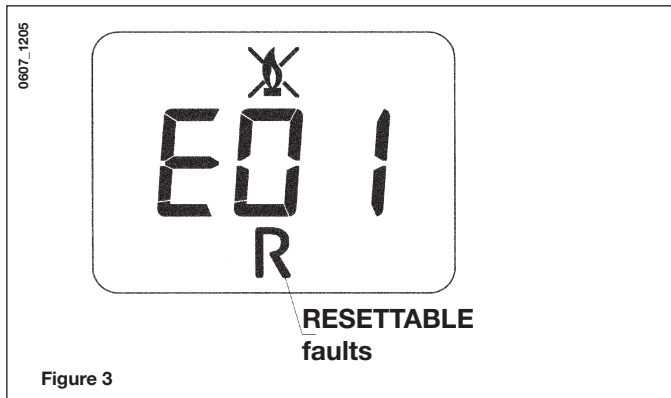
Do not drain the whole system as filling up with water again causes unnecessary and harmful scale to build up inside the boiler and the heating elements. If the boiler is not used during winter and is therefore exposed to the danger of frost, add some specific anti-freeze to the water in the system (e.g.: propylene glycol coupled with corrosion and scale inhibitors). The electronic boiler management system includes a “frost protection” function for the heating system which, when delivery temperature falls below 5°C, operates the burner until a delivery temperature of 30°C is reached.

The frost protection function is enabled if:

- \* the boiler is electrically powered;
- \* the gas tap is open;
- \* the system is at the correct pressure;
- \* the boiler is not blocked.

## 10. TROUBLESHOOTING

Faults are shown on the display with an error code (e.g.: E 01):



To RESET the boiler, press and hold down “R” for at least 2 seconds. If this fault persists, call the Authorised Service Centre.

**NOTE:** 5 reset attempts can be performed after which the boiler shuts down. To reset again, switch off the boiler for a few seconds.

CODE DISPLAYED	FAULT	CORRECTIVE ACTION
E01	Failed ignition shutdown	Press and hold down “R”. for at least 2 seconds. If this fault persists, call the Authorised Service Centre.
E02	Safety thermostat tripped	Press and hold down “R”. for at least 2 seconds. If this fault persists, call the Authorised Service Centre.
E03	Flue thermostat/ flue pressure switch tripped	Call the Authorised Service Centre.
E04	Shutdown after 6 consecutive flame losses	Press and hold down “R”. for at least 2 seconds. If this fault persists, call the Authorised Service Centre.
E05	Delivery probe failure	Call the Authorised Service Centre.
E06	DHW sensor fault	Call the Authorised Service Centre.
E10	Hydraulic pressure switch block	Check that the pressure in the system is correct; See section 6. If this fault persists, call the Authorised Service Centre.
E25/E26	Probable blocked pump safety trip.	Call the Authorised Service Centre.
E27	Wrong DHW sensor position	Press and hold down “R”. for at least 2 seconds. If this fault persists, call the Authorised Service Centre.
E32	Limescale alarm	Call the Authorised Service Centre.
E35	Parasite flame (flamer error)	Press and hold down “R”. for at least 2 seconds. If this fault persists, call the Authorised Service Centre.
E96	Switching off due to reductions in the power supply	RESET is automatic. If this fault persists, call the Authorised Service Centre.

**NOTE:** in case of a fault, the display backlighting flashes together with the error code.

## 11. ROUTINE MAINTENANCE INSTRUCTIONS

To keep the boiler efficient and safe, have it checked by the authorised Service Centre at the end of every operating period. Careful servicing ensures economical operation of the system.

Do not clean the outer casing of the appliance with abrasive, aggressive and/or easily flammable cleaners (e.g.: petrol, alcohol, and so on). Always switch off the appliance before cleaning it (see section 7 “Switching off the boiler”).

## 12. GENERAL INFORMATION

The following notes and instructions are addressed to fitters to allow them to carry out trouble-free installation. Instructions for lighting and using the boiler are contained in the 'Instructions for Users' section. Moreover, the installation technician must be qualified to install heating appliances.

Additionally, bear in mind the following:

- This boiler can be connected to any type of double- or single-pipe convector plate, radiator or thermoconvector. Design the system sections as usual, though, bearing in mind the available flow-head at the plate, as shown in section 25.
- Do not leave any packaging (plastic bags, polystyrene, etc.) within the reach of children as they are a potential source of danger.
- Initial lighting of the boiler must be carried out by an authorised Service Engineer, as indicated on the attached sheet. Failure to observe the above will render the guarantee null and void.

### ADDITIONAL PUMP WARNING

If an additional pump is used on the heating system, position it on the boiler return circuit. This will allow the correct operation of the water pressure switch.

### WARNING

If the instantaneous (mixed) boiler is connected to a system with solar panels, the maximum temperature of the domestic hot water entering the boiler must not exceed **60°C**.

## 13. INSTRUCTIONS PRIOR TO INSTALLATION

This boiler has been designed to heat water to a temperature lower than boiling point at atmospheric pressure. It must be connected to a central heating system and to a domestic hot water supply system according to its performance and power output.

Do the following before connecting the boiler:

- a) Make sure that the boiler is adjusted to use the type of gas delivered by the gas supply. To do this, check the markings on the packaging and the rating plate on the appliance.
- b) Make sure that the flue terminal draft is appropriate, that the terminal is not obstructed and that no exhaust gases from other appliances are expelled through the same flue duct, unless the latter has been specially designed to collect exhaust gas from more than one appliance, in compliance with current laws and regulations.
- c) Make sure that, if the boiler is connected to existing flue ducts, these have been thoroughly cleaned as residual products of combustion may detach from the walls during operation and obstruct the flow of fumes.

To ensure correct operation and maintain the warranty, observe the following precautions:

#### 1. DHW circuit:

- 1.1. If the water is harder than 20 °F (1 °F = 10 mg calcium carbonate per litre of water), install a polyphosphate dispenser or an equivalent treatment system, compliant with current regulations.
- 1.2. Thoroughly flush the system after installation of the appliance and before use.
- 1.3. The materials used for the domestic hot water circuit of the product comply with Directive 98/83/EC.

#### 2. Heating circuit

##### 2.1. new system

Before proceeding with installation of the boiler, the system must be cleaned and flushed to eliminate residual thread-cutting swarf, solder and any solvents, using suitable proprietary products. To avoid damaging metal, plastic and rubber parts, only use neutral cleaners, i.e. non-acid and non-alkaline. Recommended cleaning products are: SENTINEL X300 or X400 and FERNOX Regenerator for heating circuits. Use these products in strict compliance with the manufacturers' instructions.

##### 2.2. existing plant:

Before installing the boiler, drain the system and clean it to remove sludge and contaminants, using suitable proprietary products as described in section 2.1. To avoid damaging metal, plastic and rubber parts, use only neutral cleaners, i.e. non-acid and non-alkaline such as SENTINEL X100 and FERNOX Protector for heating circuits. Use these products in strict compliance with the manufacturers' instructions. Remember that the presence of foreign bodies in the heating system can adversely affect boiler operation (e.g. overheating and excessive noise of the heat exchanger).

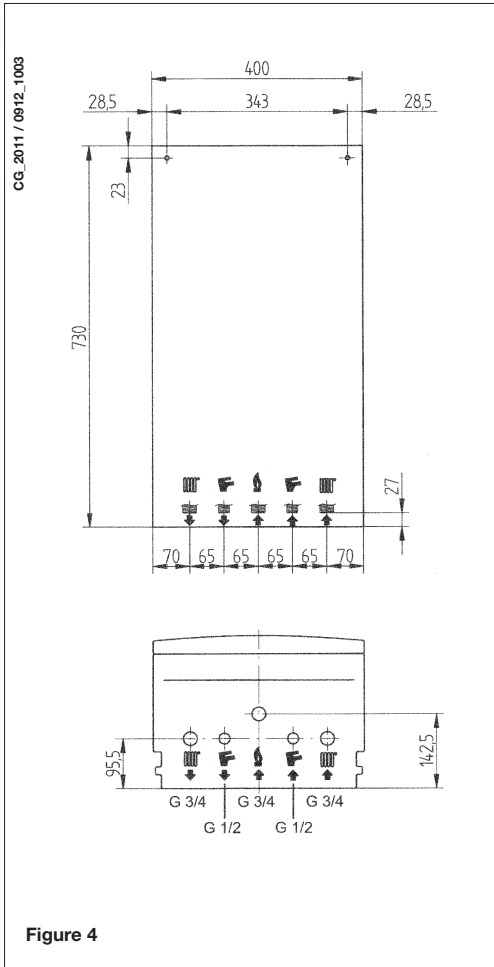
---

**Failure to observe the above will render the guarantee null and void.**

---



## 14. INSTALLING THE BOILER



After deciding the exact location of the boiler, fix the template to the wall.

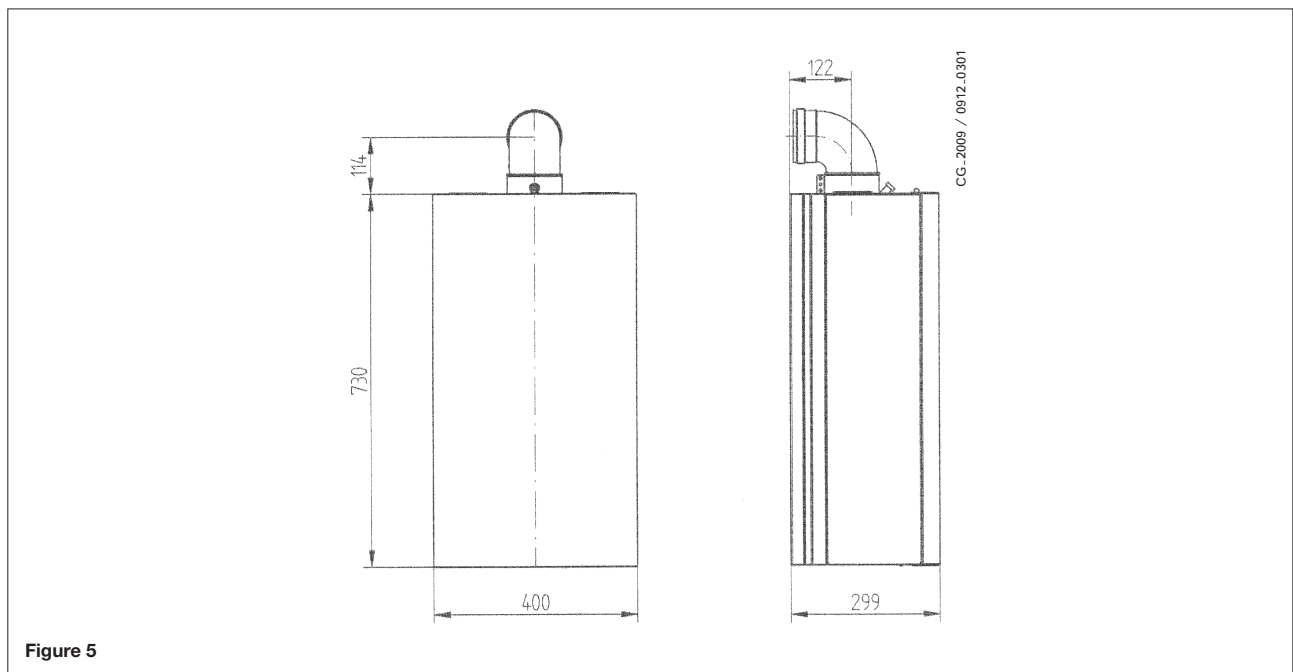
Connect the system to the gas and water inlets present on the lower bar of the template. Fit two G3/4 taps (delivery and return) on the central heating circuit; these taps make it possible to carry out important operations on the system without draining it completely. If you are either installing the boiler on an existing system or replacing one, as well as the above, fit a settling tank under the boiler on the system return line in order to collect any deposits and scale circulating in the system after flushing. After fixing the boiler to the template, connect the flue and air ducts, supplied as accessories, as described in the following sections.

	G"3/4 HEATING DELIVERY
	G"3/4 HEATING RETURN
	G"1/2 DOMESTIC HOT WATER OUTLET
	G"1/2 DOMESTIC COLD WATER INLET
	G"3/4 GAS INLET TO BOILER

### WARNING

Carefully tighten the water connections to the nipples of the boiler (maximum tightening torque 30 Nm).

## 15. DIMENSIONS OF BOILER





# 16. INSTALLING THE FLUE AND AIR DUCTS

The boiler is easy and flexible to install thanks to the extensive range of available accessories, as described below. The boiler has been designed for connection to a vertical or horizontal coaxial flue-air duct. A splitting kit is also available if separate ducts are required.

**Only accessories supplied by the manufacturer must be used for installation!**

**WARNING : To guarantee more operating insurance it is necessary to assure the flue pipes to the wall using the apposite clamps.**

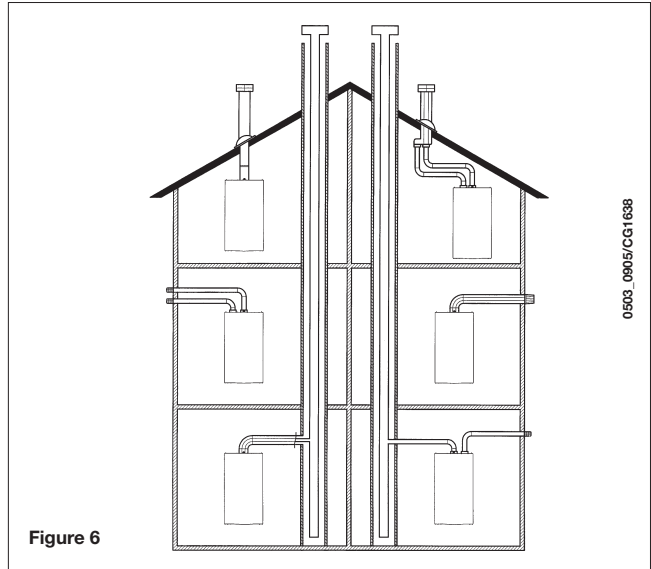


Figure 6

## ... COAXIAL FLUE-AIR DUCT (CONCENTRIC)

This type of duct is used to discharge exhaust fumes and draw combustion air both outside the building and if a LAS flue is fitted.

The 90° coaxial bend allows the boiler to be connected to a flue-air duct in any direction as it can be rotated by 360°. It can also be used as a supplementary bend combined with a coaxial duct or a 45° bend.

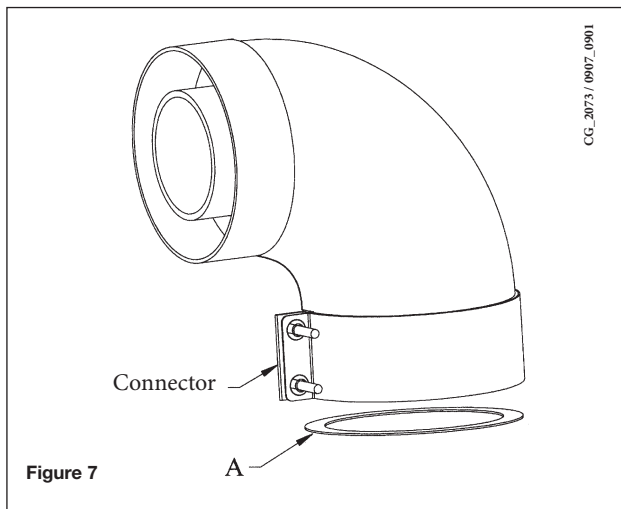


Figure 7

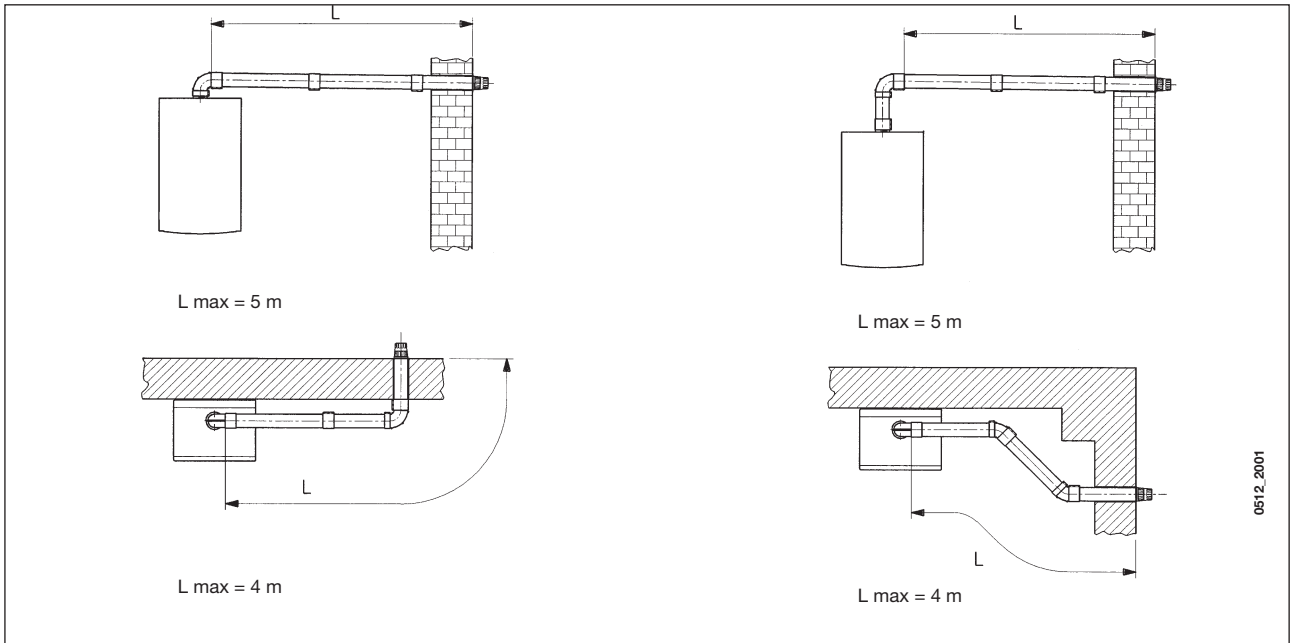
If fumes are discharged outside the building, the flue-air duct must protrude at least 18 mm from the wall to allow an aluminium weathering surround to be fitted and sealed to avoid water infiltrations. Make sure there is a minimum upward slope towards the outside of 1 cm per metre of duct.

- a 90° bend reduces total duct length by 1 metre.
- a 45° bend reduces total duct length by 0.5 metres.

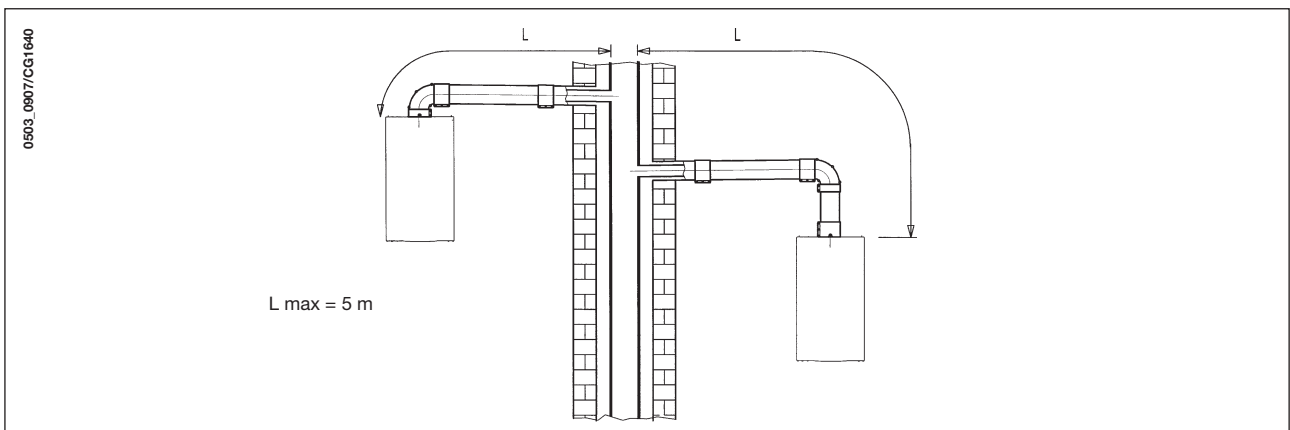
**The first 90° bend is not included when calculating the maximum available length.**

Length (m)	Flue RESTRICTOR Ⓐ
0 ÷ 1	Yes
1 ÷ 5	No

## 16.1 HORIZONTAL FLUE INSTALLATION OPTIONS

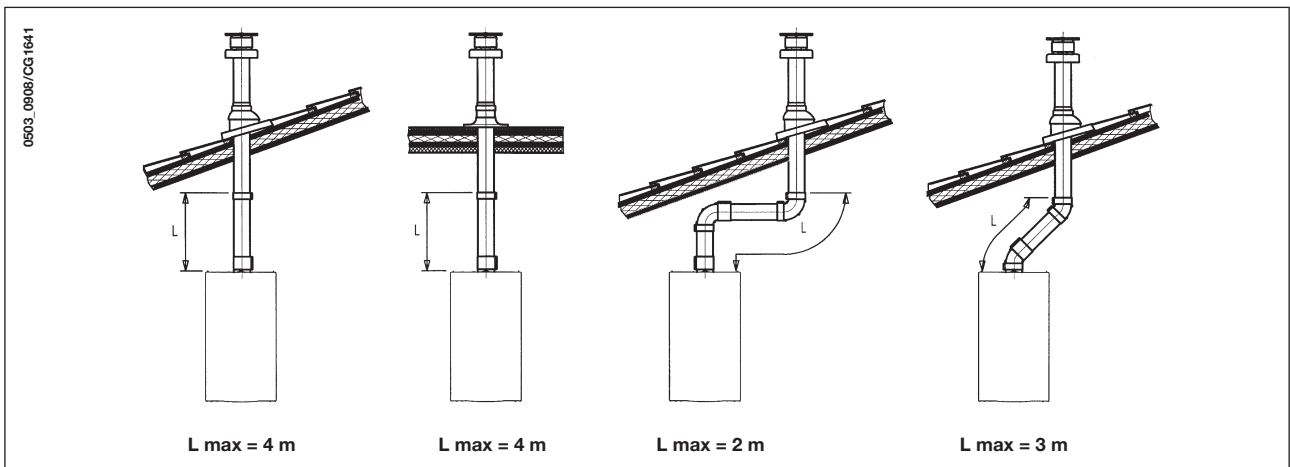


## 16.2 LAS FLUE DUCT INSTALLATION OPTIONS



## 16.3 VERTICAL FLUE INSTALLATION OPTIONS

This type of installation can be carried out on either a flat or a pitched roof by fitting a flue terminal and a special weathering surround with sleeve (both available on request).



For detailed installation instructions, consult the technical data provided with the accessories.

### ... SEPARATE FLUE AND AIR DUCTS

This type of installation makes it possible to discharge exhaust fumes both outside the building and into single flue ducts. Comburent air can be drawn in at a different location from that of the flue terminal. The splitting kit comprises a flue duct adaptor (100/80) and an air duct adaptor. For the air duct adaptor, fit the screws and seals previously removed from the cap.

(L1+L2)	Position of air regulator	Flue RESTRICTOR Ⓐ	CO <sub>2</sub> %	
			G20	G31
0 ÷ 4	1	NO	6,4	7,4
4 ÷ 18	2			
18 ÷ 30	3			

**The first 90° bend is not included when calculating the maximum available length**

The 90° bend allows the boiler to be connected to a flue-air duct in any direction as it can be rotated by 360°. It can also be used as a supplementary bend combined with a duct or a 45° bend.

- A 90° bend reduces total duct length by 0.5 metres.
- A 45° bend reduces total duct length by 0.25 metres.

#### Adjusting the air regulator for separate flues

This regulator must be adjusted to optimise combustion efficiency and parameters. After turning the air intake connector, which can be mounted both to the right and the left of the exhaust flue duct, suitably adjust the excess air according to the total length of the combustion exhaust and inlet flue ducts. Turn this regulator counter-clockwise to decrease the excess of comburent air and vice-versa to increase it. To fine tune, use a combustion product analyser to measure the amount of CO<sub>2</sub> in the fumes at maximum heat capacity, and, if a lower value is measured, gradually adjust the air regulator until the amount of CO<sub>2</sub> indicated in the following table is measured. To mount this device correctly, consult the relative instructions.

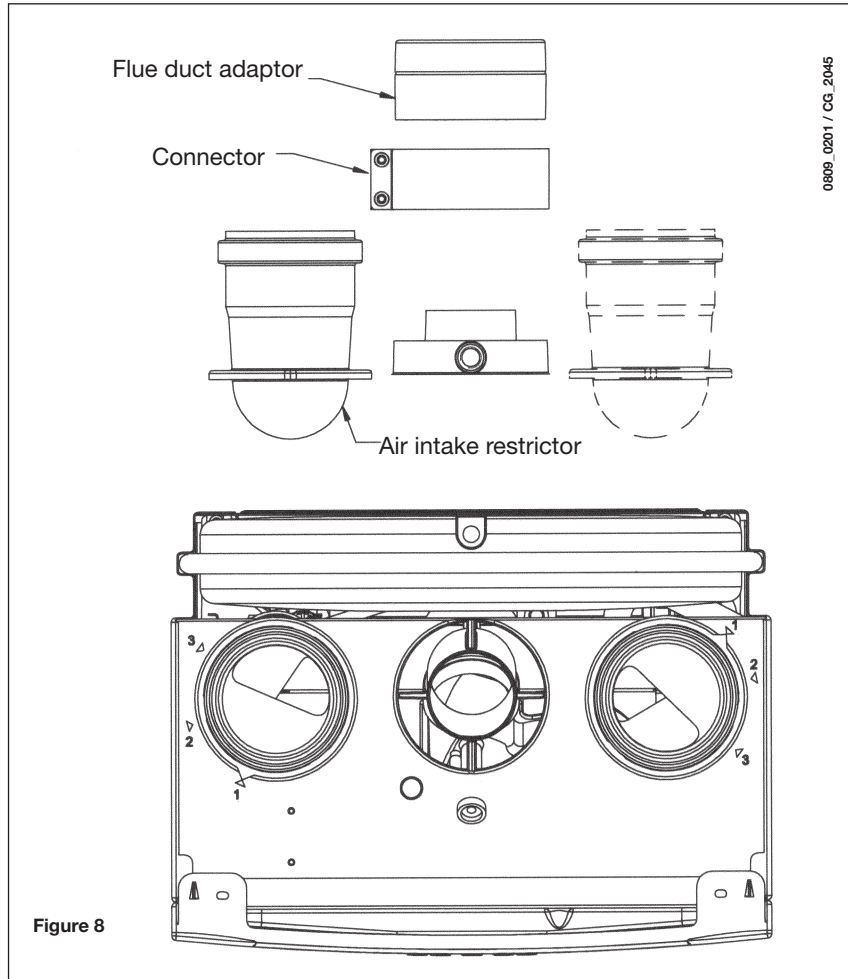
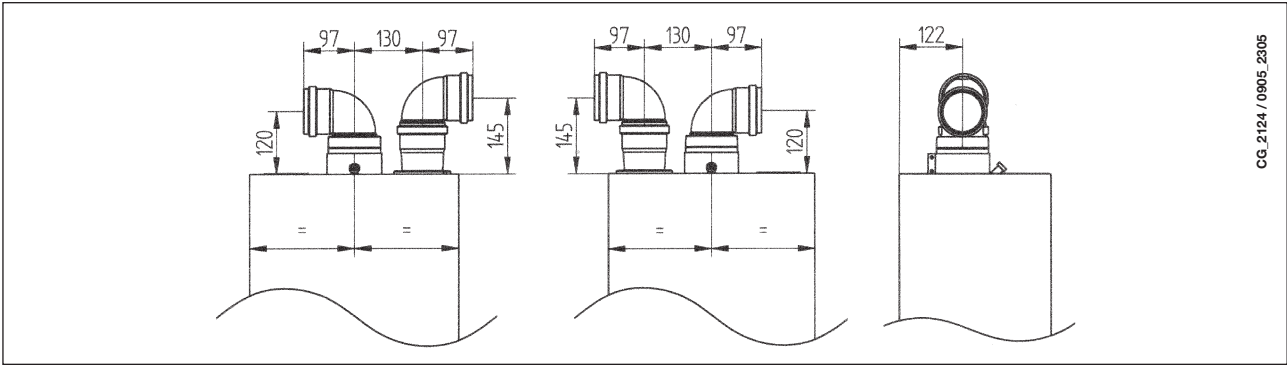


Figure 8

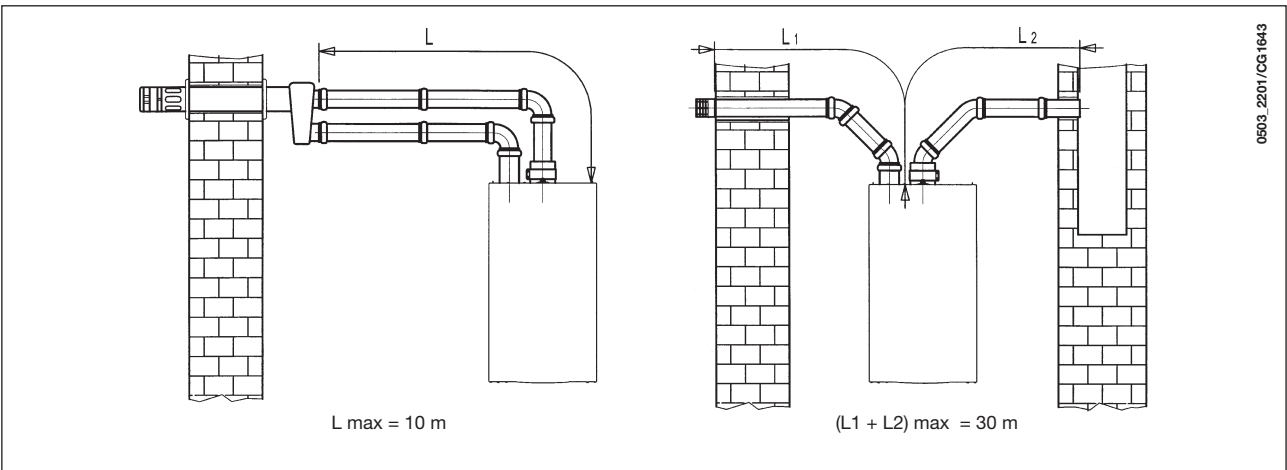
## 16.4 DIMENSIONS OF SEPARATE OUTLETS



CG.2124 / 0905.2305

## 16.5 SEPARATE HORIZONTAL FLUE TERMINALS INSTALLATION OPTIONS

**IMPORTANT** - Make sure there is a minimum downward slope towards the outside of 1 cm per metre of duct length. If the condensate collection kit is installed, the discharge duct must slope down towards the boiler.

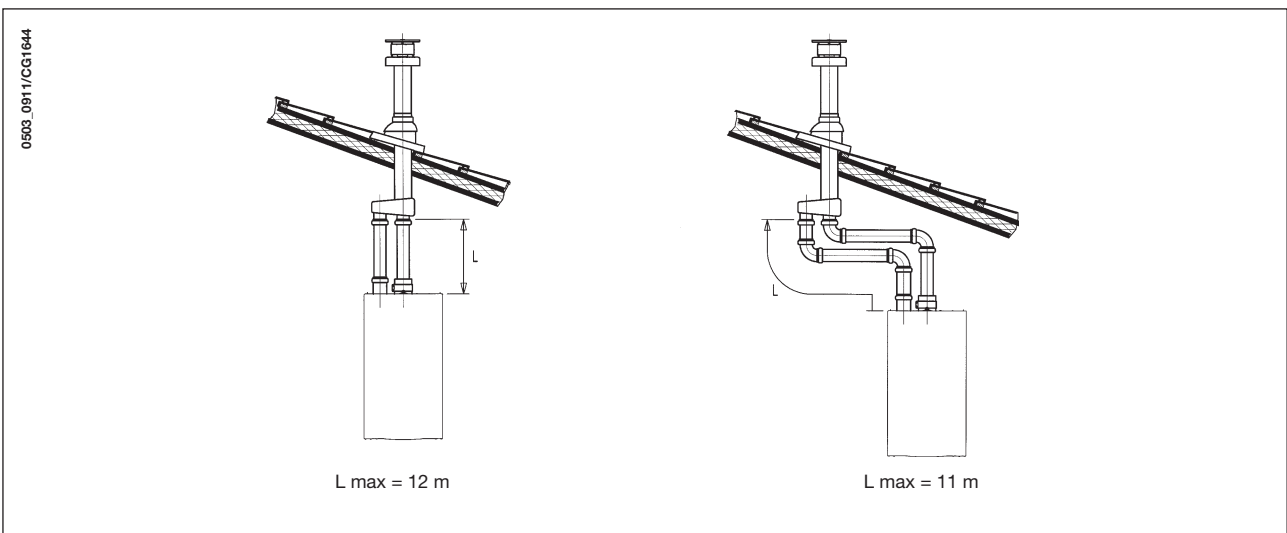


0503\_2201/CG1643

**NOTE:** For the C52 type, do not fit the flue and air duct terminals on opposite walls of the building. The inlet flue must have a maximum length of 10 metres for C52 fumes outlets.

If the discharge duct is longer than 6 metres, install the condensate collection kit, supplied as an accessory, near the boiler.

## 16.6 SEPARATE VERTICAL FLUE INSTALLATION OPTIONS



0503\_0911/CG1644

**IMPORTANT:** if fitting a single flue duct, make sure it is adequately insulated (e.g.: with glass wool) wherever the duct passes through building walls. For detailed installation instructions, consult the technical data provided with the accessories.

## 17. ELECTRICAL CONNECTIONS

This machine is only electrically safe if it is correctly connected to an efficient earth system in compliance with current safety regulations.

Connect the boiler to a 230V single-phase earthed power supply using the supplied three-pin cable, observing correct LIVE-NEUTRAL polarity.

**Use a double-pole switch with a contact separation of at least 3 mm.**

When replacing the power supply cable, fit a harmonised HAR H05 VV-F' 3x0.75mm<sup>2</sup> cable with a maximum diameter of 8 mm.

### ...Access to the power supply terminal block

- disconnect the boiler from the mains power supply using the two-pole switch;
- remove the two screws fixing the control panel to the boiler;
- rotate the control panel;
- remove the cover and access the wiring area (figure 9).

The 2A fast-blowing fuse is incorporated in the power supply terminal block (to check and/or replace the fuse, pull out the black fuse carrier).

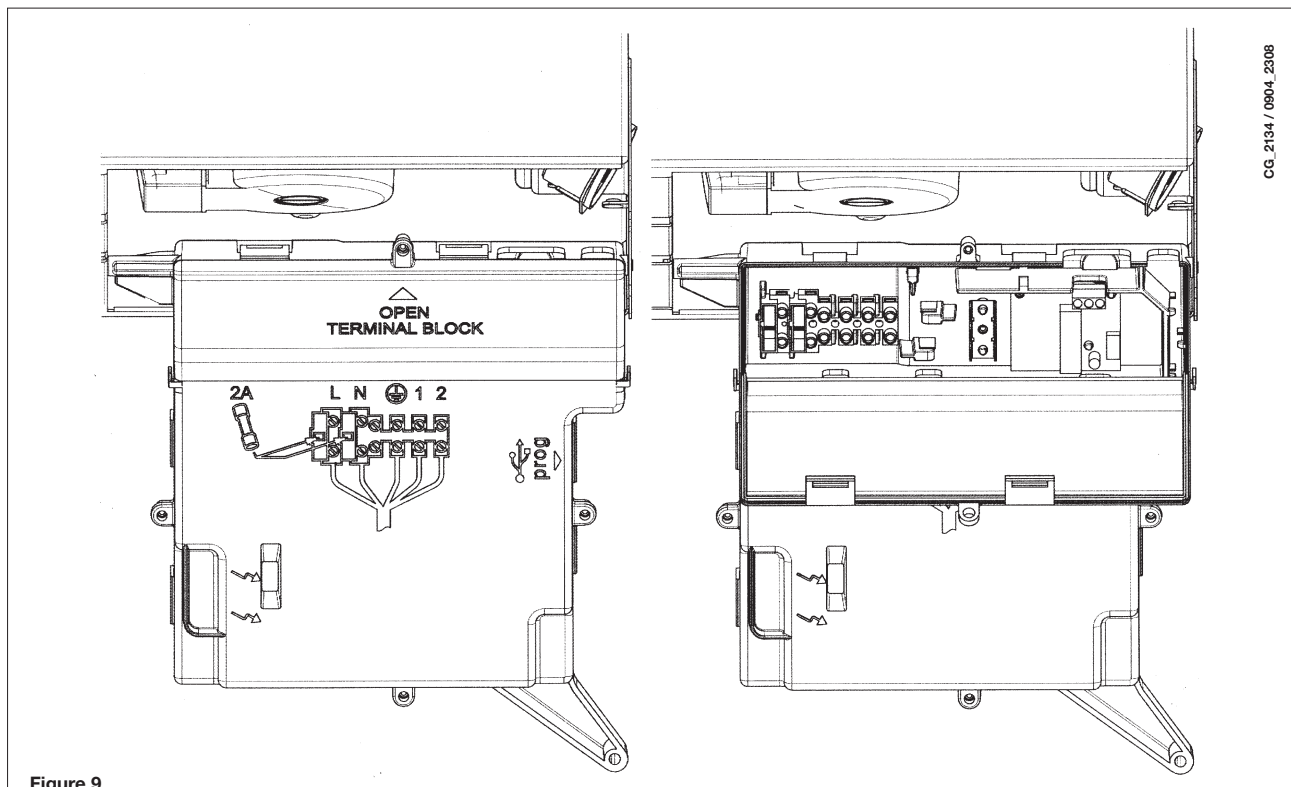
**IMPORTANT:** respect polarity **L** (LIVE) - **N** (NEUTRAL).

(L) = **Live** (brown)

(N) = **Neutral** (blue)

(⊕) = **Earth** (yellow-green)

(1) (2) = **Contact for ambient thermostat**



## 18. CONNECTING THE ROOM THERMOSTAT

- access the power supply terminal block (figure 9) as described in the previous section;
- remove the jumper on terminals (1) and (2);
- thread the two-wire cable through the grommet and connect it to these two terminals.

## 19. GAS CONVERSION

The authorised Technical Assistance Service can convert this boiler to natural gas (**G20**) or liquid gas (**G31**).

Carry out the following operations:

- A) replace the main burner nozzles;
- B) change the modulator voltage
- C) new max. and min. calibration of the pressure regulator.

### A) Replace the burner injectors

- carefully pull the main burner off its seat;
- replace the main burner injectors making sure to fully tighten them to prevent gas leaks. Injector diameters are specified in table 2.

### B) Change the modulator voltage

- set parameter **F02** according to the gas used, as described in section 21;

### C) Calibrate the pressure regulator

- connect the positive pressure test point of a differential pressure gauge (possibly water-operated) to the gas valve pressure test point (**Pb**) (Figure 10). Only for models with sealed chambers, connect the negative pressure test point of the pressure gauge to a "T" fitting in order to join the boiler adjustment outlet, the gas valve adjustment outlet (**Pc**) and the pressure gauge. (The same measurement can be made by connecting the pressure gauge to the pressure test point (**Pb**) after removing the front panel of the sealed chamber). Measuring burner pressure using methods other than those described could lead to incorrect results as the low pressure created by the fan in the sealed chamber would not be taken into account.

#### C1) Adjustment to nominal heat output:

- open the gas tap and switch the boiler to the Winter mode;
- open a hot water tap that can provide a flow rate of at least **10 litres a minute** or make sure there is maximum heat demand;
- remove the modulator cover;
- adjust the brass screw (a) until the pressure values shown in table 1 are obtained;
- make sure that the dynamic inlet pressure of the boiler, measured at the gas valve pressure test point (Pa) (Figure 10) is correct (37 mbar for propane or 20 mbar for natural gas).

#### C2) Adjustment to reduced heat output:

- disconnect the modulator power cable and unscrew the screw (b) until a pressure value corresponding to reduced heat output is achieved (see tab. 1);
- reconnect the wire;
- mount the modulator cover and seal.

#### C3) Final checks

- attach the additional plate supplied with the transformer specifying the type of gas and the calibration performed.

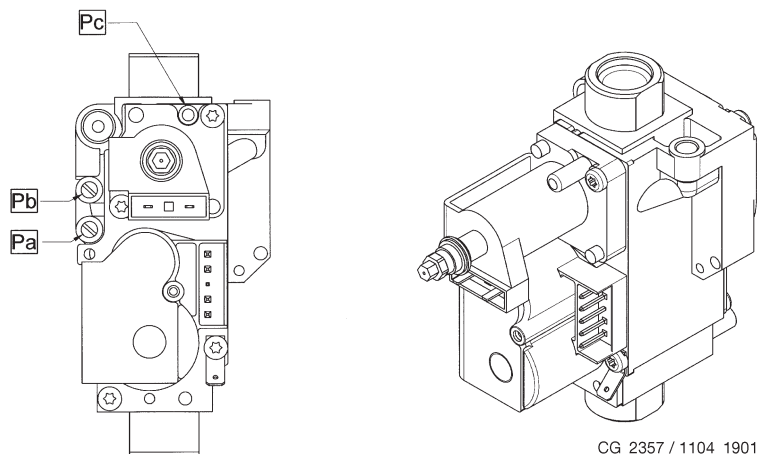
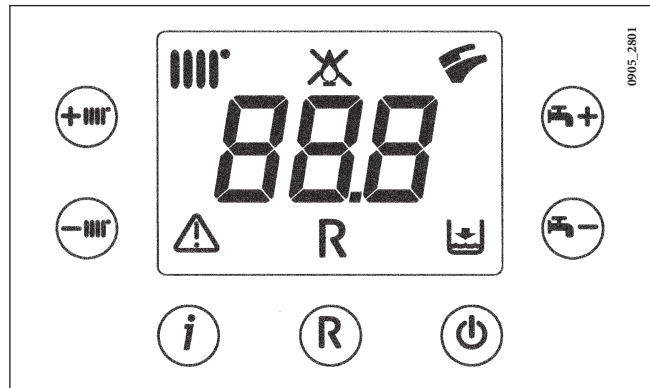


Figure 10

## 19.1 GAS VALVE CALIBRATION FUNCTION

To simplify calibration of the gas valve, the calibration function may be set directly on the boiler control panel as follows:

- hold down the buttons + and + together for at least 6 seconds;
- after about 6 seconds, the symbols flash;
- the display shows, at intervals of one second, "100" and the **flow temperature**.  
In this phase, the boiler works at the maximum heating output (100%).
- press +/- to immediately set the power of the boiler (100% or 0%);
- adjust the "Pmax/Pmin" screw (figure 10) to set the burner pressure value as described in table 1.  
To adjust pressure at maximum power, turn the "Pmax" screw (fig. 10) clockwise to increase or anti-clockwise to decrease pressure at the burner.  
To adjust pressure at minimum power, turn the "Pmin" screw (fig. 10) clockwise to increase or anti-clockwise to decrease pressure at the burner.
- press +/- to gradually set the desired power level (interval = 1%).



Press the button to leave the function.

### Note:

The function is automatically deactivated after a period of 15 minutes, at the end of which the electronic board returns to its operating status prior to the activation of the function or prior to reaching the set maximum temperature.

## 19.2 PARAMETERS SETTING

The procedure to access the list of parameters is the following:

- hold down the buttons - and - together for about 6 seconds until the display shows "F01" alternating with the set value;
- press +/- to scroll through the parameters list;
- to increase or decrease the value of the selected parameter, press buttons +/- respectively;
- press the button to save the programming of the set parameters (the display shows for some seconds "MEM").
- press the button to leave the programming mode without saving (the display shows for some seconds "ESC").

### WARNING

For the gas conversion from G20 to G31, modify parameters F02, F08, F09, F10, and F16, as shown in the table in paragraph 21. Attach the additional plate supplied with the transformer, specifying the type of gas and the calibration performed

Table of burner injectors

gas type	G20	G31
diameter of nozzles (mm)	1,28	0,77
Burner pressure (mbar*) <b>REDUCED HEAT OUTPUT</b>	2,0	5,7
Burner pressure (mbar*) <b>RATED HEAT OUTPUT</b>	11,2	32,6
N° nozzles	13	

\* 1 mbar = 10,197 mm H<sub>2</sub>O

Table 1

Consumption 15°C-1013 mbar	G20	G31
<b>Rated power</b>	2,73 m³/h	2,00 kg/h
<b>Reduced power</b>	1,12 m³/h	0,82 kg/h
<b>p.c.i.</b>	34,02 MJ/m³	46,34 MJ/kg

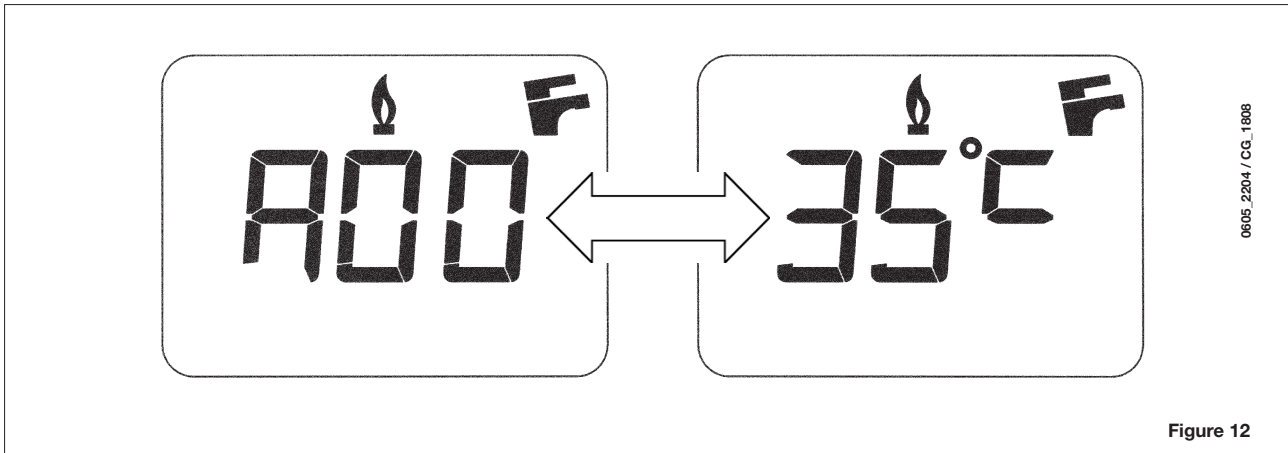
Table 2




## 20. VISUALISATION OF PARAMETERS ON THE DISPLAY ("INFO" FUNCTION)

Press "i" for at least 5 seconds to visualise certain boiler information on the display on the front panel of the boiler.

**NOTE:** when the "INFO" function is enabled, the message "A00", alternating with the boiler delivery temperature, is shown on the display (figure 12):





- Press buttons  (+/-) to display the following information:





- A00:** current DHW temperature (°C);
- A01:** current external temperature (°C) (with external probe connected);
- A02:** instantaneous % value of the gas valve control signal ;
- A03:** power range (%) (MAX R);
- A04:** heating setpoint temperature (°C);
- A05:** current heating delivery temperature (°C);
- A06:** DHW temperature setpoint value (°C);
- A07:** not used;
- A08:** not used;
- A09:** last error that occurred in the boiler;

- This function remains active for 3 minutes. It is possible to interrupt the "INFO" function in advance by holding down the button ( ) for at least 5 seconds, or turning off the power to the boiler.

## 21. PARAMETERS SETTING

To set the boiler parameters press the (- ) and (- ) buttons together for at least 6 seconds. When the function is active, the letters "F01" will appear on the display, alternating with the value of the parameter shown.

### Changing the parameters

- Press the (+/- ) buttons to scroll through the parameters;
- Press the (+/- ) buttons to change each parameter value;
- Press the button () to save changes, the display shows "MEM";
- Press the button () to leave the function without saving, the display shows "ESC";

	Description of parameters	Factory settings
F01	Type of boiler 10 = sealed chamber - 20 = atmospheric chamber	10
F02	Gas used 00 = G20 01 = G31	00 or 01
F03	Hydraulic system	02
F04 F05	Setting programmable relays (See SERVICE instructions) 00 = no associated function	00
F06	Maximum temperature setpoint setting (°C) 00 = 76°C (burner switching off at 80°C) 01 = 45°C	00
F07	Configuration DHW priority input	02
F08	Max heating power (0-100%)	100
F09	Max DHW power (0-100%)	100
F10	Min heating power (0-100%)	00
F11	Waiting time in heating before a new ignition (00-10 minutes) - 00=10 seconds	03
F12	Diagnostics (See SERVICE Instructions)	--
F13	Type of exchanger 00 = 270 mm 01 = 225 mm	00
F14	Testing the correct position of the DHW probe 00 = Disable 01 = Enable	00
F15	Factory setting	00
F16...F17	Manufacture information --- not used	00

## 22. ADJUSTMENT AND SAFETY DEVICES

This boiler has been designed in full compliance with European reference standards and, in particular, it is fitted with the following:

- **Air pressure switch**

This device only allows the burner to ignite if the exhaust flue duct is in perfect working order.

In the event of one or more of the following faults:

- flue terminal obstructed
- venturi tubes obstructed
- fan blocked
- venturi tube connection - pressure switch tripped

the boiler remains on standby and error code E03 is displayed (see table in section 10).

- **Safety thermostat**

Thanks to a sensor placed on the heating delivery line, the thermostat interrupts the flow of gas to the burner if the water in the primary circuit overheats. In these conditions, the boiler is blocked and only after the fault has been eliminated can it be ignited again by pressing **(R)**, button for at least 2 seconds.

---

It is forbidden to disable this safety device

---

- **Flame ionisation detector**

The flame sensing electrode, located on the right-hand side of the burner, guarantees safety of operation in case of gas failure or incomplete ignition of the burner.

In these conditions, the boiler is blocked after 3 ignition attempts.

Press the **(R)**, for at least 2 seconds to re-establish normal operating conditions.

- **Hydraulic pressure switch**

This device allows the main burner to be ignited only if system pressure is higher than 0.5 bars.

- **Pump overrun for heating circuit**

The electronically-controlled pump post-circulation function lasts 180 seconds and is enabled, in the heating mode, if the ambient thermostat causes the burner to go out.

- **Pump overrun for DHW circuit**

The electronically-controlled pump post-circulation function lasts 30 seconds and is enabled, in the DHW mode, if the probe causes the burner to go out.

- **Frost protection device (heating)**

The electronic boiler management system includes a "frost protection" function for the heating system which, when delivery temperature falls below 5°C, operates the burner until a delivery temperature of 30°C is reached. This function is enabled when the boiler is switched on, the gas supply is open and the system is correctly pressurised.

- **Water not circulating in primary circuit (pump probably blocked)**

If there is insufficient or no water circulating in the primary circuit, the boiler blocks and the error code E25 is shown on the display (section 10).

- **Anti-block pump function**

If no heat demand is received for 24 consecutive hours, in the heating mode, the pump will automatically start and operate for 10 seconds.

This function is operative when the boiler is powered.

- **Hydraulic safety valve (heating circuit)**

This device is set to 3 bar and is used for the heating circuit.

---

Connect the safety valve to a drain tap. Do not use it to drain the heating circuit.

---

**NOTE:** domestic hot water is guaranteed even if the NTC sensor develops a fault. In this case, temperature is controlled by the delivery sensor.

## 23. POSITIONING THE IGNITION AND FLAME-SENSING ELECTRODE

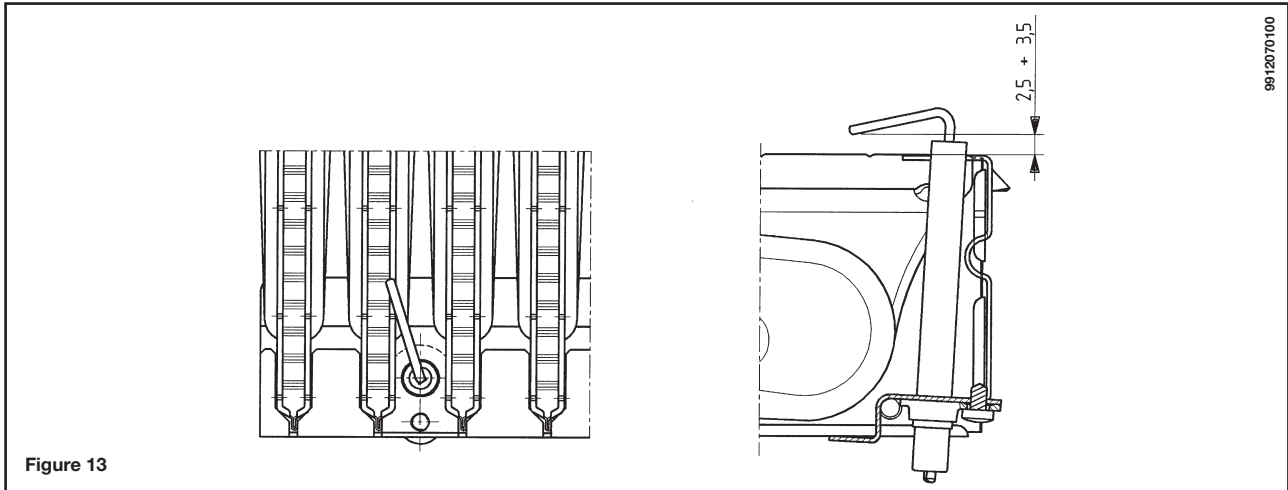


Figure 13

9912070100

## 24. CHECKING COMBUSTION PARAMETERS

To measure combustion efficiency and the toxicity of the products of combustion, the boiler is fitted with two dedicated test points.

One test point is connected to the exhaust duct and is used to measure combustion efficiency and the toxicity of the products of combustion.

The other is connected to the air intake duct and is used to check for the presence of any products of combustion circulating in installations with co-axial flues.

The following parameters can be measured using the test point connected to the exhaust duct:

- temperature of the products of combustion;
- concentration of oxygen (O<sub>2</sub>) or, alternatively, carbon dioxide (CO<sub>2</sub>);
- concentration of carbon monoxide (CO).

The temperature of the comburent air must be measured on the test point located on the air intake flue by inserting the measurement sensor by about 3 cm.

**NOTE:** to regulate the rated power, see chapter 19 (C)

For natural draught boiler models, a hole must be made in the exhaust duct at a distance from the boiler equal to twice the internal diameter of the flue. The following parameters can be measured inside this hole:

- temperature of the products of combustion;
- concentration of oxygen (O<sub>2</sub>)
- concentration of carbon monoxide (CO).

The temperature of the combustion air must be measured close to the point where the air enters the boiler.

The hole, which must be made by the person in charge of the system during commissioning, must be sealed so as to ensure that the exhaust duct is airtight during normal operation.

## 25. PUMP CAPACITY/ HEAD

A high static head pump, suitable for installation on any type of single- or double-pipe heating system, is used. The automatic air valve incorporated in the pump allows quick venting of the heating system.

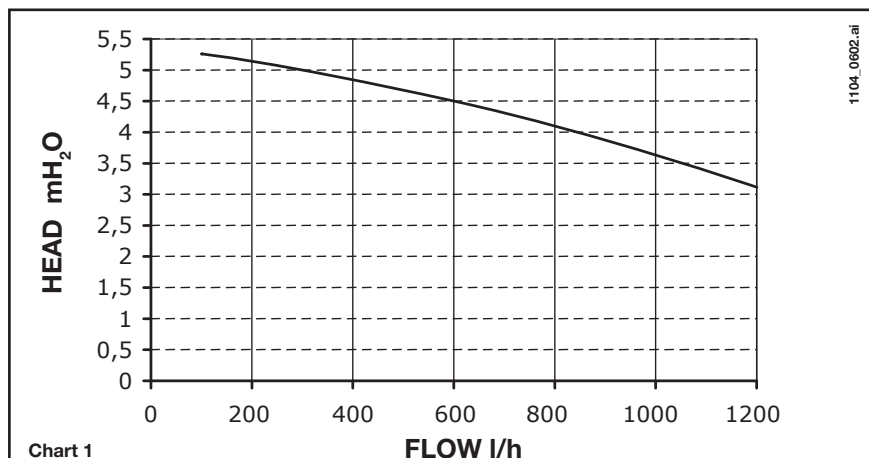



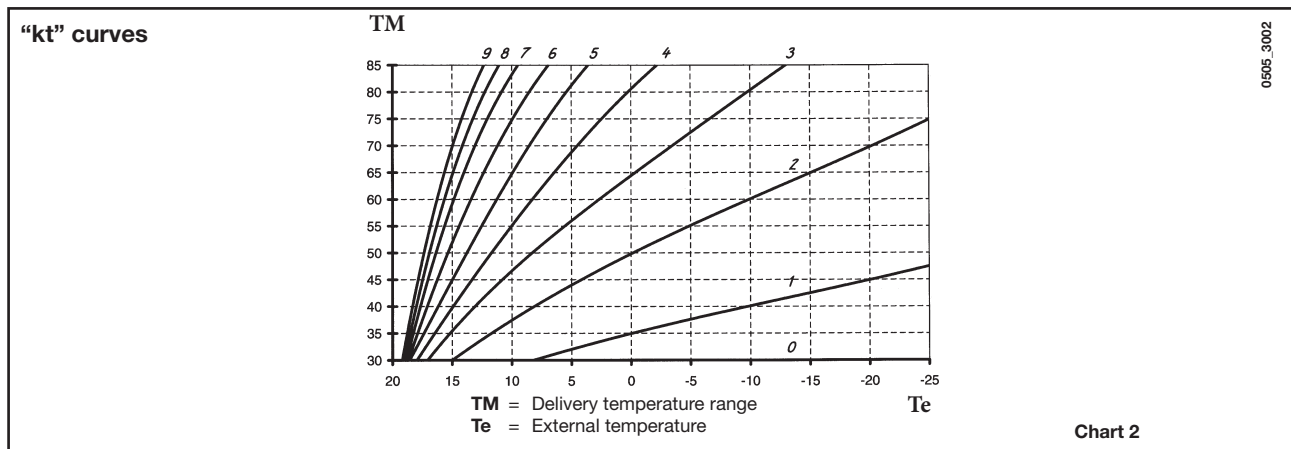
Chart 1

1104\_0602.at

## 26. CONNECTING THE EXTERNAL PROBE

The wiring harness leaving the control board includes two RED wires fitted with faston covers. Connect the external probe to these two wires.

With the external probe connected it is possible to change the curve "kt" (Graph 1) by means of the +/-  buttons.



## 27. ANNUAL SERVICING

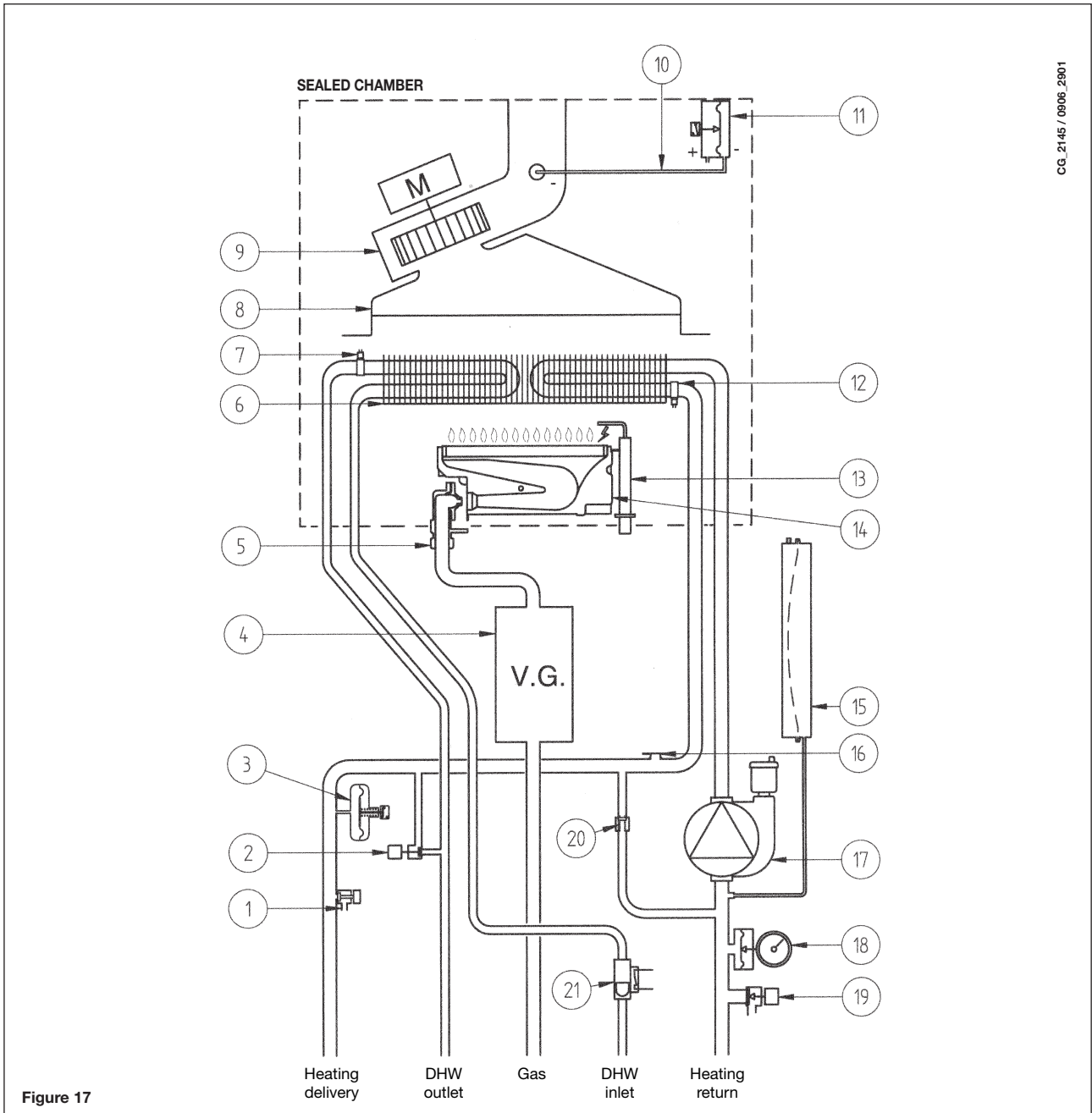
To optimise boiler efficiency, carry out the following annual controls:

- check the appearance and air-tightness of the gaskets of the gas and combustion circuits;
- check the state and correct position of the ignition and flame-sensing electrodes;
- check the state of the burner and make sure it is firmly fixed;
- check for any impurities inside the combustion chamber.  
Use a vacuum cleaner to do this;
- check the gas valve is correctly calibrated;
- check the pressure of the heating system;
- check the pressure of the expansion vessel;
- check the fan works correctly;
- make sure the flue and air ducts are unobstructed;

### WARNINGS

**Before commencing any maintenance operations, make sure the boiler is disconnected from the power supply. Afterwards, move the knobs and/or operating parameters of the boiler to their original positions.**

## 28. FUNCTIONAL CIRCUIT DIAGRAM



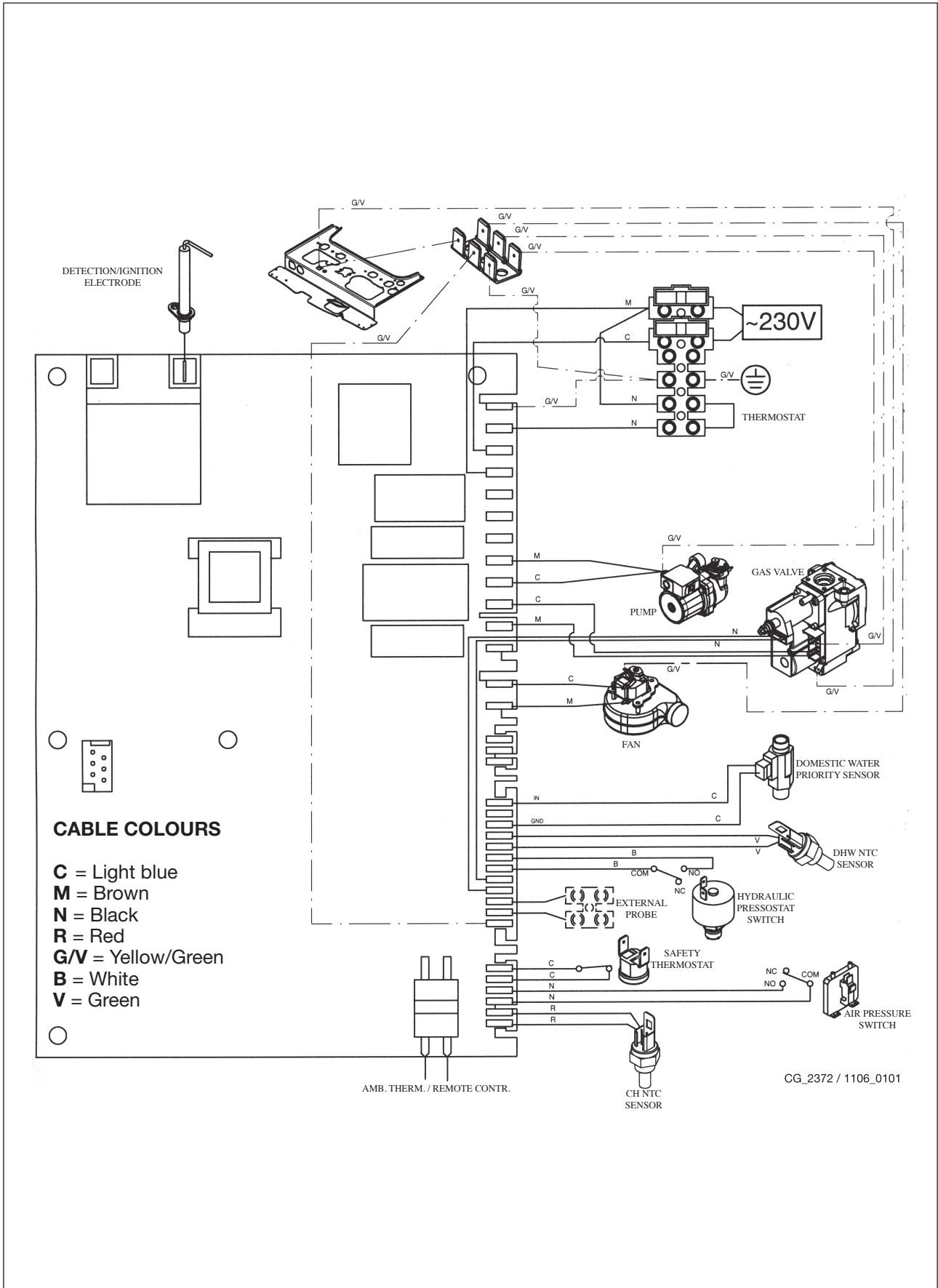
CG\_2145 / 0906\_2901

Figure 17

### Legend:

- |    |                               |    |                                      |
|----|-------------------------------|----|--------------------------------------|
| 1  | Boiler drain tap              | 12 | Central heating NTC sensor           |
| 2  | Boiler filling tap            | 13 | Ignition / flame detection electrode |
| 3  | Water pressure switch         | 14 | Burner                               |
| 4  | Gas valve                     | 15 | Expansion vessel                     |
| 5  | Gas train with injectors      | 16 | Safety thermostat                    |
| 6  | Water-fumes exchanger         | 17 | Pump and air separator               |
| 7  | NTC domestic hot water sensor | 18 | Pressure gauge                       |
| 8  | Fumes conveyor                | 19 | Safety valve                         |
| 9  | Fan                           | 20 | Automatic by-pass                    |
| 10 | Negative pressure point       | 21 | DHW priority sensor                  |
| 11 | Air pressure switch           |    |                                      |

# 29. WIRING DIAGRAM





## 30. TECHNICAL DATA

### Model MAINFOUR 240F

Category		II2H3P	
Rated heat input	kW	25,8	
Reduced heat input	kW	10,6	
Rated heat output	kW	24	
	kcal/h	20.600	
Reduced heat output	kW	9,3	
	kcal/h	8.000	
Efficiency according to Directive 92/42/EEC	—	★★★	
Max. pressure in central heating system	bar	3	
Capacity of expansion vessel	l	6	
Pressure of expansion vessel	bar	1	
Max. pressure in DHW system	bar	8	
Minimum dynamic pressure in DHW system	bar	0,15	
Minimum DHW output	l/min	2,0	
DHW output at $\Delta T=25\text{ }^{\circ}\text{C}$	l/min	13,7	
DHW output at $\Delta T=35\text{ }^{\circ}\text{C}$	l/min	9,8	
Specific output (*)	l/min	11	
Temperature range in heating system	$^{\circ}\text{C}$	30/76	
Temperature range in DHW system	$^{\circ}\text{C}$	35/55	
Type	—	C12-C32-C42-C52-C82-B22	
Diameter of concentric flue duct	mm	60	
Diameter of concentric air duct	mm	100	
Diameter of 2-pipe flue duct	mm	80	
Diameter of 2-pipe air duct	mm	80	
Diameter of flue duct	mm	-	
Max. mass flow of fumes	kg/s	0,016	
Min. mass flow of fumes	kg/s	0,016	
Max. temperature of fumes	$^{\circ}\text{C}$	149	
Min. temperature of fumes	$^{\circ}\text{C}$	119	
NOx class	—	3	
Type of gas	—	G20	
	—	G31	
Natural gas supply pressure	mbar	20	
Propane gas supply pressure	mbar	37	
Power supply voltage	V	230	
Input frequency	Hz	50	
Rated electrical input	W	130	
Net weight	kg	31	
Dimensions	height	mm	730
	width	mm	400
	depth	mm	299
Protection against humidity and water penetration (**)		IP X5D	

(\*) according to EN 625

(\*\*) according to EN 60529

As **BAXI** constantly strives to improve its products, it reserves the right to modify the information contained in this document at any time and without prior notice. This document is issued purely for the sake of information and should not be considered as a contract with third parties.

Apreciado cliente:

nuestra empresa está convencida de que la caldera que Vd. ha adquirido puede satisfacer todas sus exigencias.

Los productos **BAXI** son garantía de altas prestaciones y facilidad de uso.

Conserve estas instrucciones y léalas atentamente, puesto que contienen informaciones útiles para el uso correcto de la caldera.

Los elementos de embalaje (bolsas de plástico, poliestireno) son fuentes potenciales de peligro: no los deje al alcance de los niños.


**BAXI** declara que estas calderas llevan el marcado CE por cumplir los requisitos esenciales de las siguientes Directivas:

- Directiva gas 2009/142/CE
- Directiva Rendimientos 92/42/CEE
- Directiva Compatibilidad electromagnética 2004/108/CE
- Directiva baja tensión 2006/95/CE



## ÍNDICE

### INSTRUCCIONES PARA EL USUARIO

1. Advertencias antes de la instalación	25
2. Advertencias antes de la puesta en marcha	25
3. Puesta en marcha de la caldera	26
4. Regulación de la temperatura ambiente y del agua sanitaria	26
5. Descripción de la tecla  (Verano - Invierno - Sólo calefacción - Apagado)	27
6. Llenado de la instalación	27
7. Apagado de la caldera	27
8. Adaptación a otro tipo de gas	27
9. Inactividad prolongada de la instalación Protección contra heladas (circuito de calefacción)	28
10. Indicaciones y actuación de los dispositivos de seguridad	28
11. Instrucciones para el mantenimiento ordinario	28

### INSTRUCCIONES PARA EL INSTALADOR

12. Advertencias generales	29
13. Advertencias antes de la instalación	29
14. Instalación de la caldera	30
15. Medidas de la caldera	30
16. Instalación de los conductos de entrada de aire y salida de humos	31
17. Conexión eléctrica	35
18. Conexión del termostato de ambiente	35
19. Adaptación a otro tipo de gas	36
20. Visualización de los parámetros de la tarjeta electrónica en el display de la caldera (función "info")	38
21. Configuración de los parámetros	39
22. Dispositivos de regulación y seguridad	40
23. Ubicación del electrodo de encendido y detección de llama	41
24. Control de los parámetros de combustión	41
25. Curvas de caudal / altura manométrica en la placa	41
26. Conexión de la sonda exterior	42
27. Mantenimiento anual	42
28. Esquema funcional de los circuitos	43
29. Esquema de conexión de los conectores	44
30. Características técnicas	45



**BAXI S.p.A.**, una de las empresas líderes en Europa en la producción de calderas y sistemas para la calefacción de alta tecnología, ha obtenido la certificación de CSQ para los sistemas de gestión de calidad (ISO 9001) para el medio ambiente (ISO 14001), la salud y la seguridad (OHSAS 18001). Esto demuestra que BAXI S.p.A. reconoce como propios los objetivos estratégicos de la protección del medio ambiente, la fiabilidad y la calidad de sus productos, la salud y la seguridad de sus trabajadores. A través de su organización, la empresa está constantemente ocupada en implementar y mejorar estos aspectos para asegurar la máxima satisfacción a sus clientes.



# 1. ADVERTENCIAS ANTES DE LA INSTALACIÓN

Esta caldera sirve para calentar agua a una temperatura inferior a la de ebullición, a presión atmosférica. Debe conectarse a una instalación de calefacción y a una red de distribución de agua caliente sanitaria, dentro de los límites de sus prestaciones y de su potencia.

Antes de que la caldera sea conectada por un técnico calificado es preciso:

- a) Controlar que la caldera esté preparada para funcionar con el tipo de gas disponible. El tipo de gas se indica en el embalaje y en la placa de datos del aparato.
- b) Controlar que la chimenea tenga buen tiro, que no tenga estrangulamientos y no desemboquen en ella las salidas de otros aparatos, salvo que haya sido realizada para este fin conforme a la reglamentación vigente.
- c) Si la caldera se conecta a una chimenea preexistente, controlar que ésta se haya limpiado perfectamente, ya que el desprendimiento de los depósitos durante el funcionamiento puede obstruir la salida de humos.
- d) Para mantener el funcionamiento correcto y la garantía del aparato, también es imprescindible respetar las siguientes indicaciones:

## 1. Circuito sanitario:

**1.1.** Si la dureza del agua es superior a 20°F (1°F = 10 mg de carbonato de calcio por litro de agua) es preciso instalar un dosificador de polifosfatos o un sistema similar, conforme a las normas vigentes.

**1.2.** Una vez montado el aparato, antes de utilizarlo es necesario hacer una limpieza a fondo de la instalación.

**1.3.** Los materiales utilizados para el circuito de agua sanitaria del producto son conformes a la Directiva 98/83/CE.

## 2. Circuito de calefacción

### 2.1. Instalación nueva

Antes de montar la caldera, hay que limpiar la instalación para eliminar los residuos de roscados, soldaduras y disolventes, utilizando un producto comercial que no sea ni ácido ni alcalino, y que tampoco ataque los metales, el plástico y la goma. Se recomiendan los siguientes productos de limpieza:

SENTINEL X300 o X400 y FERNOX Regenerador para instalaciones de calefacción. Para el uso de estos productos, siga atentamente las instrucciones del respectivo fabricante.

### 2.2. Instalación existente:

Antes de instalar la caldera, vacíe totalmente la instalación y límpiela de lodos y contaminantes con los productos comerciales citados en el punto 2.1.

Para evitar que se formen incrustaciones en la instalación, utilice un inhibidor como SENTINEL X100 o FERNOX Protector para instalaciones de calefacción. Para el uso de estos productos, siga atentamente las instrucciones del respectivo fabricante.

Se recuerda que los depósitos en la instalación de calefacción perjudican el funcionamiento de la caldera, causando sobrecalentamiento y ruido del intercambiador.

---

**La inobservancia de estas indicaciones invalida la garantía del aparato.**

---

# 2. ADVERTENCIAS ANTES DE LA PUESTA EN MARCHA

El primer encendido debe ser realizado por un Centro de Asistencia Técnica autorizado, que ha de verificar:

- a) Que los suministros (electricidad, agua y gas) tengan los valores indicados en la placa de datos.
- b) Que la instalación cumpla las normas vigentes citadas en el manual técnico del instalador.
- c) Que la conexión eléctrica y la descarga a tierra se hayan realizado correctamente.

En la hoja adjunta se detallan los Centros de Asistencia Técnica autorizados por el fabricante.

La inobservancia de estas indicaciones invalida la garantía del aparato.

Antes de poner la caldera en funcionamiento, quítele la película protectora. Para ello, no utilice herramientas o materiales abrasivos, ya que podrían arruinar la pintura.

---

***Este aparato no debe ser utilizado por personas (incluyendo los niños) con capacidades físicas, sensoriales o mentales limitadas o que no tengan una experiencia ni conocimientos apropiados, a menos que actúen bajo la vigilancia de una persona responsable de su seguridad o hayan recibido instrucciones sobre el uso del aparato.***

---

### 3. PUESTA EN MARCHA DE LA CALDERA

Para encender la caldera, proceda del siguiente modo:

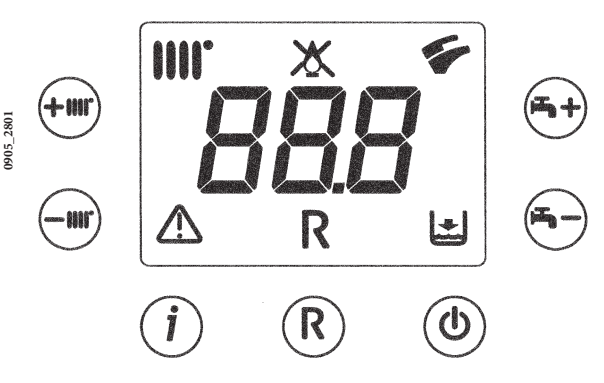
- 1) conecte la caldera a la corriente eléctrica;
- 2) abra la llave de paso del gas;
- 3) actúe sobre la tecla (🔌) y sitúe la caldera en Verano (☀️), Invierno (❄️) o sólo calefacción (🔥);
- 4) actúe sobre las teclas (+/-) para regular la temperatura del circuito de calefacción (🔥) y del agua caliente sanitaria (🚿) para encender el quemador principal.

Cuando la caldera esté encendida, en el display aparecerá el símbolo (🔥).

En posición Verano (☀️) el quemador estará encendido solo en caso de toma de agua caliente sanitaria.

#### ADVERTENCIA

Durante la primera puesta en marcha, es posible que el quemador no se encienda (y la caldera se bloquee) hasta que salga todo el aire de la tubería del gas. En este caso se aconseja repetir las operaciones de encendido hasta que llegue gas al quemador, pulsando la tecla (R), durante 2 segundos como mínimo.



**LEYENDA DE LOS SÍMBOLOS**

- 🔥 Funcionamiento en calefacción
- 🔥 Presencia de llama (quemador encendido)
- 🚿 Pérdida de llama (no se enciende)
- ☀️ Funcionamiento en sanitario
- ⚠️ Anomalía genérica
- R RESET
- 🚿 Falta de agua (Presión instalación baja)
- 888 Indicación numérica (Temperatura, cód. anomalía, etc.)

**LEYENDA DE LAS TECLAS**

- 🔌 Encendido / Apagado / Verano / Invierno
- 🔥 (+/-) : Regulación de la temperatura de calefacción
- 🚿 (+/-) : Regulación de la temperatura del agua sanitaria
- R Reset
- i Información

Figura 1

### 4. REGULACIÓN DE LA TEMPERATURA AMBIENTE Y DEL AGUA SANITARIA

La instalación debe estar dotada de termostato ambiente para el control de la temperatura en los locales.

La regulación de la temperatura ambiente (🔥) y del agua caliente en sanitario (🚿) se efectúa actuando sobre las teclas +/- correspondientes (figura 1). El encendido del quemador aparece en el display con el símbolo (🔥) según se describe en el apartado 3.1.

#### CALEFACCIÓN

Durante el funcionamiento de la caldera en calefacción, en el display (figura 1) aparecen el símbolo (🔥) intermitente y la temperatura de impulsión de calefacción (°C).


#### SANITARIO

Durante el funcionamiento de la caldera en sanitario, en el display (figura 1) aparecen el símbolo (🚿) intermitente y la temperatura de salida del agua caliente sanitaria (°C).

## 5. DESCRIPCIÓN DE LA TECLA (Verano - Invierno - Sólo calefacción - Apagado)



Pulsando esta tecla se pueden programar los siguientes modos de funcionamiento de la caldera:

- VERANO
- INVIERNO
- SÓLO CALEFACCIÓN
- APAGADO

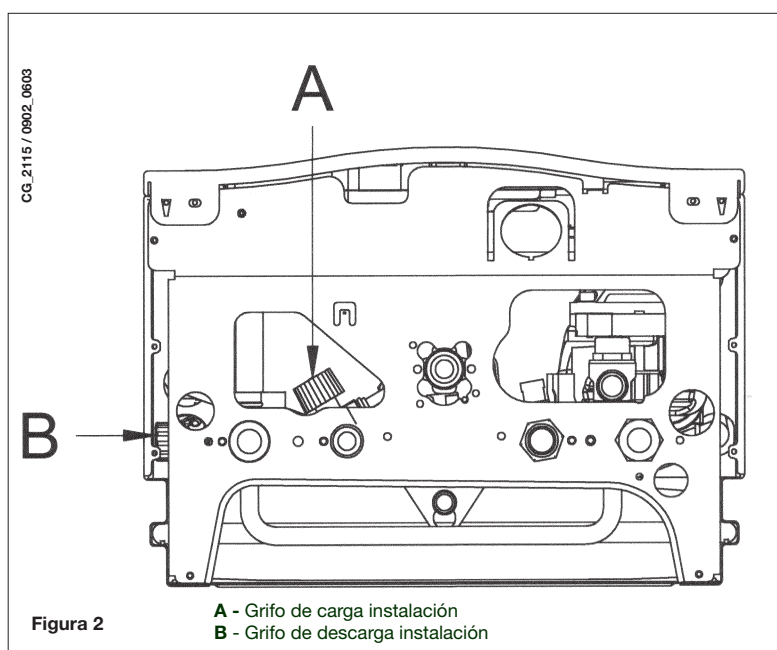
En **VERANO** en el display aparece el símbolo . La caldera satisface solamente las demandas de calor en sanitario y la calefacción no está habilitada (función de antihielo ambiente activa).

En **INVIERNO** en el display aparecen los símbolos  . La caldera satisface tanto las demandas de calor en sanitario como las en calefacción (función de antihielo ambiente activa).

En **SÓLO CALEFACCIÓN** en el display aparece el símbolo . La caldera satisface solamente las demandas de calor en calefacción (función de antihielo ambiente activa).

Seleccionando **APAGADO**, en el display no aparece ninguno de los dos símbolos  . En esta modalidad está habilitada solamente la función antihielo ambiente. Cualquier otra demanda de calor en sanitario o en calefacción no será satisfecha.

## 6. LLENADO DE LA INSTALACIÓN



### ADVERTENCIA

Corte la tensión de la caldera mediante el interruptor bipolar.

**IMPORTANTE:** controle periódicamente que la presión leída en el manómetro, con la instalación fría, esté entre 0,7 y 1,5 bar. En caso de sobrepresión, abra el grifo de descarga de la caldera; si la presión es demasiado baja, abra el grifo de carga (figura 3). Se aconseja abrir dicho grifo muy lentamente para facilitar la salida del aire.

La caldera está dotada de un presóstato hidráulico que, en caso de falta de agua, no permite el funcionamiento de la caldera.

**NOTA:** si la presión baja con frecuencia, llame a un Centro de Asistencia Técnica autorizado.

## 7. APAGADO DE LA CALDERA

Para apagar la caldera, desconéctela de la corriente eléctrica. En el modo de funcionamiento "APAGADO" (apartado 5) la caldera permanece apagada (en el display aparece la indicación OFF), pero los circuitos eléctricos permanecen bajo tensión y la función antihielo está activada (apartado 9).

## 8. ADAPTACIÓN A OTRO TIPO DE GAS

Las calderas pueden funcionar con metano o GPL.

Si hace falta convertir la caldera para utilizarla con otro gas, llame a un Centro de Asistencia Técnica autorizado.

## 9. INACTIVIDAD PROLONGADA DE LA INSTALACIÓN. PROTECCIÓN CONTRA HELADAS

Es conveniente vaciar toda la instalación de calefacción, porque los recambios de agua producen depósitos de cal (inútiles y perjudiciales) en el interior de la caldera y de los elementos de caldeo. Si en invierno la instalación no se utiliza y hay peligro de heladas, se aconseja añadir al agua del circuito una solución anticongelante específica, por ejemplo propilenglicol mezclado con inhibidores de incrustaciones y corrosión.

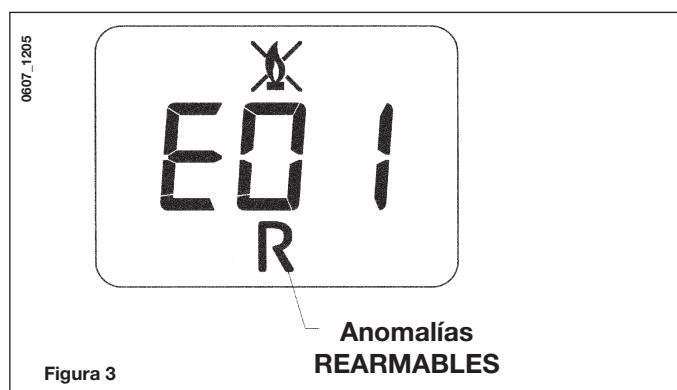
El control electrónico de la caldera incluye una función “antihielo” que actúa en calefacción: cuando la temperatura del agua de salida es inferior a 5°C, el quemador se enciende hasta que el agua llega a 30°C.

Esta función se activa si:

- \* la caldera está conectada a la corriente eléctrica;
- \* hay paso de gas;
- \* la instalación tiene la presión indicada;
- \* la caldera no está bloqueada.

## 10. INDICACIONES Y ACTUACIÓN DE LOS DISPOSITIVOS DE SEGURIDAD

Las anomalías se indican en pantalla mediante un código de error (ej. E 01):



Para RESETEAR la caldera, pulse la tecla “R” durante 2 segundos como mínimo. Si este dispositivo actúa repetidamente, llame a un Centro de Asistencia técnica autorizado.

**NOTA:** Es posible realizar cinco intentos consecutivos de rearme, tras lo cual la caldera se bloquea. Para intentar otro rearme es necesario apagar la caldera algunos segundos.

CÓDIGO VISUALIZADO	ANOMALÍA	ACTUACIÓN
E01	Bloqueo - no se enciende	Pulse la tecla “R” durante 2 segundos como mínimo. Si este dispositivo actúa repetidamente, llame a un centro de asistencia técnica autorizado.
E02	Bloqueo por actuación termostato seguridad	Pulse la tecla “R” durante 2 segundos como mínimo. Si este dispositivo actúa repetidamente, llame a un centro de asistencia técnica autorizado.
E03	Actuación termostato humos / presóstato humos	Llame a un centro de asistencia técnica autorizado.
E04	Bloqueo por pérdida de llama después de 6 veces consecutivas	Pulse la tecla “R” durante 2 segundos como mínimo. Si este dispositivo actúa repetidamente, llame a un centro de asistencia técnica autorizado.
E05	Fallo sonda de salida	Llame a un centro de asistencia técnica autorizado.
E06	Fallo sonda sanitario	Llame a un centro de asistencia técnica autorizado.
E10	El presóstato hidráulico no imparte la habilitación	Controle que la presión de la instalación tenga el valor indicado. Apartado 6. Si la anomalía persiste, llame a un centro de asistencia técnica autorizado.
E25/E26	Actuación del dispositivo de seguridad por probable bloqueo de la bomba.	Llame a un centro de asistencia técnica autorizado.
E27	Posición incorrecta de la sonda sanitaria	Pulse la tecla “R” durante 2 segundos como mínimo. Si este dispositivo actúa repetidamente, llame a un centro de asistencia técnica autorizado.
E32	Alarma caliza	Llame a un centro de asistencia técnica autorizado.
E35	Llama parásita (error llama).	Pulse la tecla “R” durante 2 segundos como mínimo. Si este dispositivo actúa repetidamente, llame a un centro de asistencia técnica autorizado.
E96	Apagado causado por disminuciones de la alimentación	El RESET es automático. Si la anomalía persiste, se dirija al centro de asistencia técnica autorizado.

**NOTA:** en caso de anomalía, la retroiluminación de la pantalla parpadea en sincronía con el código de error visualizado.

## 11. INSTRUCCIONES PARA EL MANTENIMIENTO ORDINARIO

Para garantizar el funcionamiento correcto y seguro de la caldera, al final de cada temporada es necesario hacerla revisar por un Centro de Asistencia Técnica autorizado.

Un mantenimiento correcto favorece la economía de uso de la instalación.

No limpie el exterior del aparato con sustancias abrasivas, agresivas o fácilmente inflamables (gasolina, alcohol, etc.). Antes de realizar la limpieza, apague el aparato (vea el capítulo 7 “Apagado de la caldera”).

## 12. ADVERTENCIAS GENERALES

Las notas e instrucciones técnicas siguientes están destinadas al instalador como guía para la instalación del aparato. Las instrucciones sobre el encendido y el empleo de la caldera se encuentran en la parte destinada al usuario.

Además de lo arriba mencionado se debe tener presente que:

- La caldera puede utilizarse con cualquier tipo de placa radiante, radiador o termoconvector, alimentados por uno o dos tubos. Las secciones del circuito deben calcularse para cada caso con los métodos habituales, teniendo en cuenta la curva caudal/altura manométrica relativa a la placa e indicada en el apartado 25.
- Los elementos de embalaje (bolsas de plástico, poliestireno, etc.) son fuentes potenciales de peligro: no los deje al alcance de los niños.
- El primer encendido debe ser realizado por un Centro de Asistencia Técnica autorizado (vea la lista en la hoja adjunta).

La inobservancia de estas indicaciones invalida la garantía del aparato.

### ADVERTENCIA BOMBA SUPLEMENTARIA

En caso de que se utilice una bomba suplementaria en la instalación de calefacción, se debe situarla en el circuito de retorno de la caldera. De este modo se permite el correcto funcionamiento del presóstato agua.

### ADVERTENCIA

En caso de conexión de la caldera instantánea (mixta) a una instalación con paneles solares, la temperatura máxima del agua sanitaria en la entrada de la caldera no debe ser superior a **60°C**.

## 13. ADVERTENCIAS ANTES DE LA INSTALACIÓN

Esta caldera sirve para calentar el agua a una temperatura inferior a la de ebullición, a presión atmosférica. Debe conectarse a una instalación de calefacción y a una red de distribución de agua caliente sanitaria dentro de los límites de sus prestaciones y de su potencia.

Antes de conectar la caldera, es indispensable:

- a) Una verifica che la caldaia sia predisposta per il funzionamento con il tipo di gas disponibile. Questo è rilevabile dalla Controlar que la caldera esté preparada para funcionar con el tipo de gas disponible. El tipo de gas se indica en el embalaje y en la placa de datos del aparato.
- b) Controlar que la chimenea tenga buen tiro, que no tenga estrangulamientos y no desemboquen en ella las salidas de otros aparatos, salvo que haya sido realizada para este fin conforme a la reglamentación vigente.
- c) Si la caldera se conecta a una chimenea preexistente, controlar que ésta se haya limpiado perfectamente, ya que el desprendimiento de los depósitos durante el funcionamiento puede obstruir la salida de humos.

Para mantener el funcionamiento correcto y la garantía del aparato, también es imprescindible respetar las siguientes indicaciones:

#### 1. Circuito sanitario:

- 1.1. Si la dureza del agua es superior a 20°F (1°F = 10 mg de carbonato de calcio por litro de agua) es preciso instalar un dosificador de polifosfatos o un sistema similar, conforme a las normas vigentes.
- 1.2. Una vez montado el aparato, antes de utilizarlo es necesario hacer una limpieza a fondo de la instalación.
- 1.3. Los materiales utilizados para el circuito de agua sanitaria del producto son conformes a la Directiva 98/83/CE.

#### 2. Circuito de calefacción

##### 2.1. Instalación nueva

Antes de montar la caldera, hay que limpiar la instalación para eliminar los residuos de roscados, soldaduras y disolventes, utilizando un producto comercial que no sea ni ácido ni alcalino, y que tampoco ataque los metales, el plástico y la goma. Se recomiendan los siguientes productos de limpieza: SENTINEL X300 o X400 y FERNOX Regenerador para instalaciones de calefacción Para el uso de estos productos, siga atentamente las instrucciones del respectivo fabricante.

##### 2.2. Instalación existente:

Antes de instalar la caldera, vacíe totalmente la instalación y límpiela de lodos y contaminantes con los productos comerciales citados en el punto 2.1.

Para evitar que se formen incrustaciones en la instalación, utilice un inhibidor como SENTINEL X100 o FERNOX Protector para instalaciones de calefacción. Para el uso de estos productos, siga atentamente las instrucciones del respectivo fabricante.

Se recuerda que los depósitos en la instalación de calefacción perjudican el funcionamiento de la caldera, causando sobrecalentamiento y ruido del intercambiador.

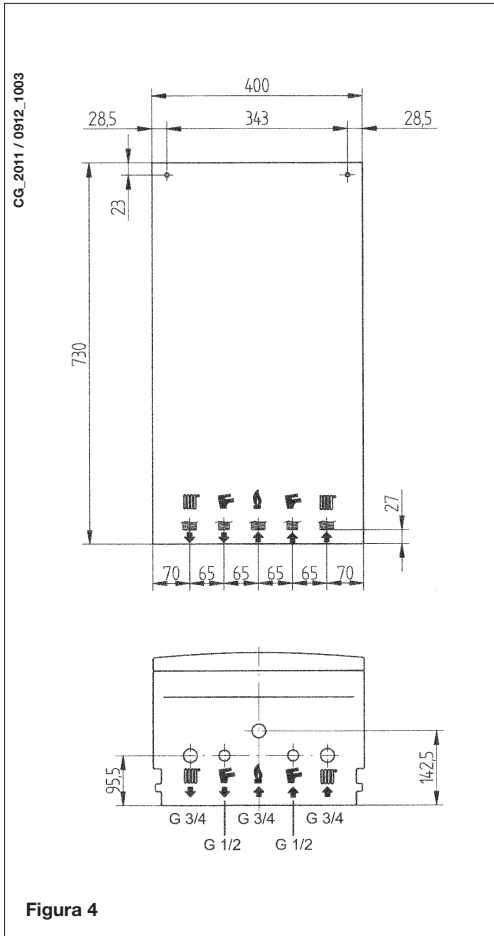
---

**La inobservancia de estas indicaciones invalida la garantía del aparato.**

---



## 14. INSTALACIÓN DE LA CALDERA



Una vez determinada la ubicación exacta de la caldera, fije la plantilla a la pared.

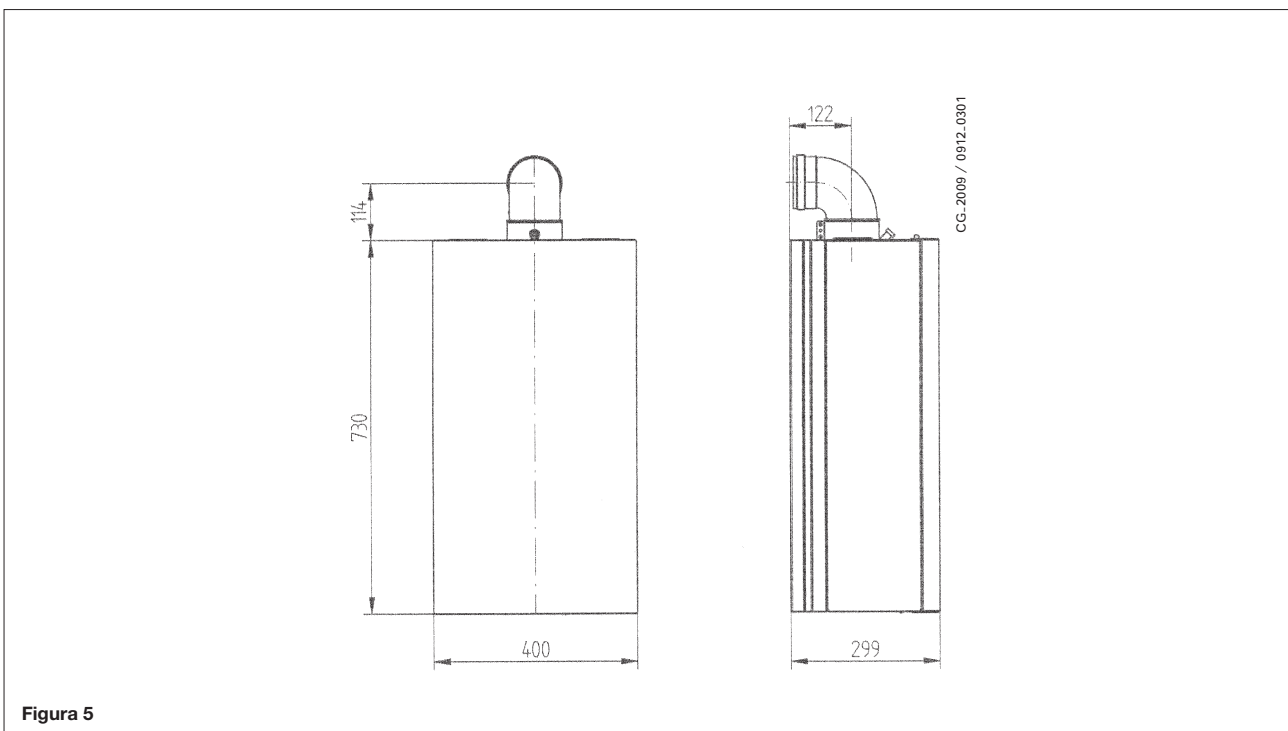
Comience por las conexiones de agua y gas marcadas en el listón inferior de la plantilla. Se aconseja instalar en el circuito de calefacción dos llaves de paso G3/4 (salida y retorno), disponibles bajo demanda, para poder realizar trabajos en determinadas partes sin tener que vaciar todo el circuito. En el caso de instalaciones ya existentes, para sustituir algunas piezas se aconseja, además de lo citado, montar en el retorno a la caldera, en la parte inferior, un depósito de decantación para recoger los residuos que quedan después del lavado y que con el tiempo pueden ponerse en circulación. Después de fijar la caldera a la pared, conecte los conductos de salida y entrada, que se suministran como accesorios, como se describe a continuación.

	G"3/4 IDA INSTALACIÓN DE CALEFACCIÓN
	G"3/4 RETORNO INSTALACIÓN DE CALEFACCIÓN
	G"1/2 SALIDA AGUA CALIENTE SANITARIA
	G"1/2 ENTRADA AGUA FRÍA SANITARIA
	G"3/4 ENTRADA DE GAS EN LA CALDERA

### ADVERTENCIA

Apriete con cuidado los empalmes hidráulicos en los nipples de la caldera (par máximo de apriete 30 Nm).

## 15. MEDIDAS DE LA CALDERA



## 16. INSTALACIÓN DE LOS CONDUCTOS DE ENTRADA Y SALIDA

La instalación de la caldera es muy sencilla gracias a los accesorios suministrados, que se describen a continuación.

La caldera se entrega preparada para la conexión a un conducto de salida de humos-entrada de aire de tipo coaxial, vertical u horizontal. Mediante el accesorio divisor, también es posible utilizar conductos separados.

**¡Para la instalación, emplee exclusivamente los accesorios suministrados por el fabricante!**

**ADVERTENCIA:** Para garantizar una mayor seguridad de funcionamiento es necesario que los conductos de descarga de humos estén bien fijados en la pared con abrazaderas apropiadas de fijación.

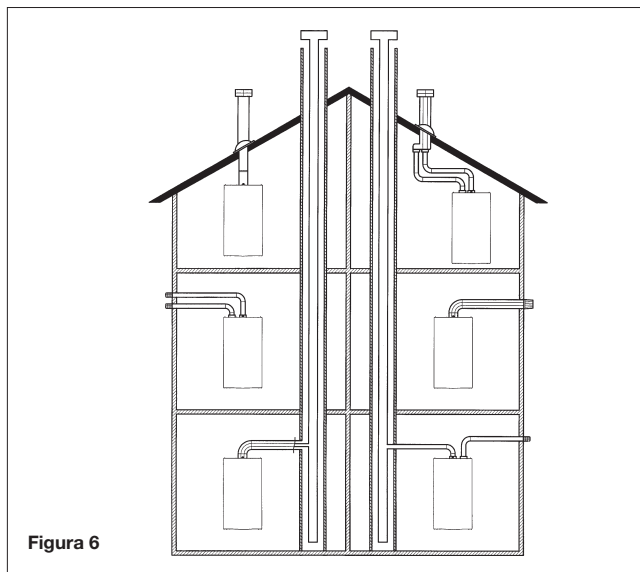


Figura 6

### ... CONDUCTO DE AIRE/SALIDA DE GASES COAXIAL (CONCÉNTRICO)

Este tipo de conducto permite expulsar el gas de escape y evacuar el aire de combustión fuera del edificio y si se ha instalado una salida de gases LAS.

El codo coaxial de 90° permite conectar la caldera a un conducto de aire/salida de gases en cualquier dirección y puede girar 360°. Asimismo, es posible utilizar un codo suplementario y acoplarlo a un conducto coaxial o a codo de 45°.

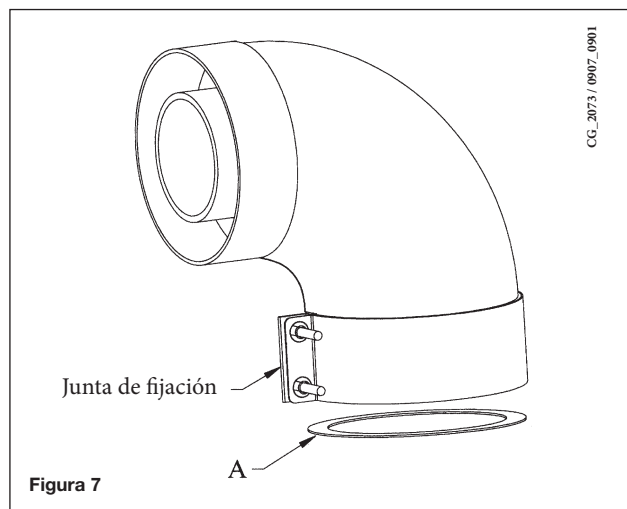


Figura 7

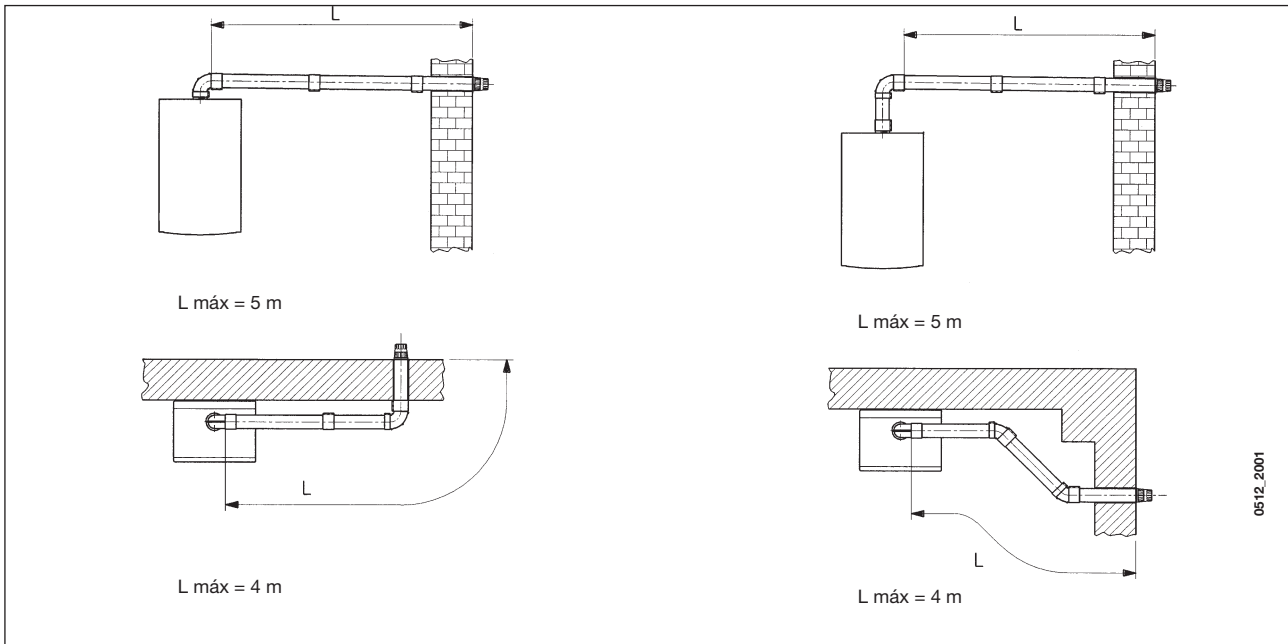
Si la salida de gases se encuentra en el exterior, el conducto de aire/salida de gases debe sobresalir 18 mm como mínimo de la pared para que la cubierta de tejas de aluminio pueda fijarse y sellarse con el fin de evitar fugas de agua. Asegúrese de dejar una pendiente descendente de 1 cm como mínimo hacia el exterior por cada metro de longitud del conducto.

- **Un codo de 90° reduce la longitud total del conducto en 1 metro.**
- **Un codo de 45° reduce la longitud total del conducto en 0,5 metros.**

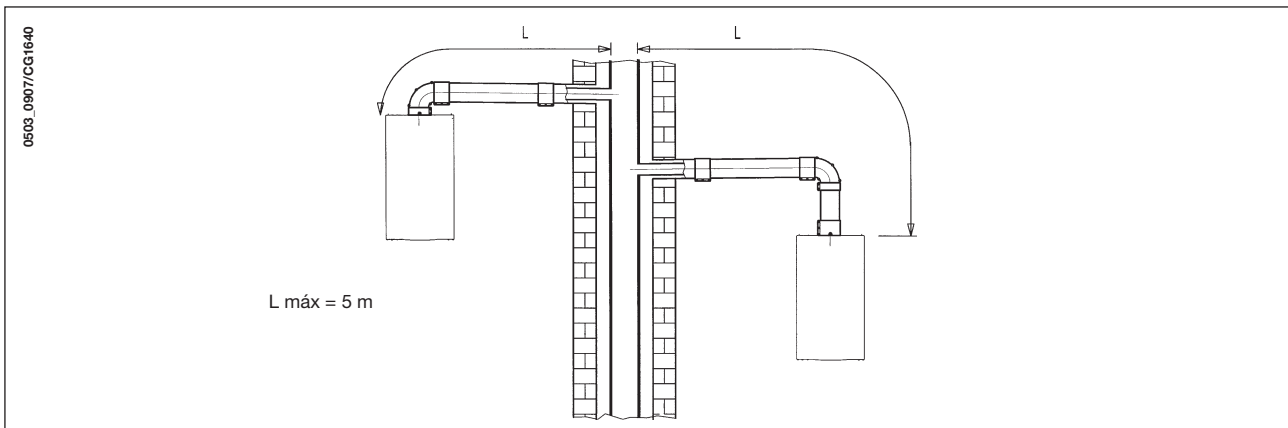
**El primer codo de 90° no se incluye en la longitud máxima disponible.**

Longitud (m)	Salida de gases RESTRUCTOR
0 ÷ 1	Sí
1 ÷ 5	No

## 16.1 EJEMPLOS DE INSTALACIÓN CON CONDUCTOS HORIZONTALES

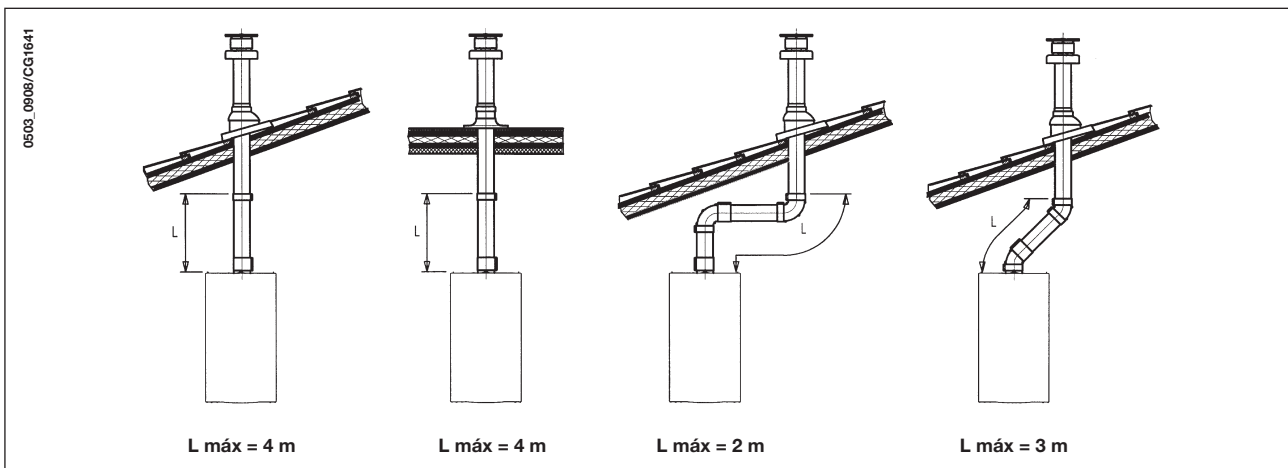


## 16.2 EJEMPLOS DE INSTALACIÓN CON CHIMENEAS COMPARTIDAS



## 16.3 EJEMPLOS DE INSTALACIÓN CON CONDUCTOS VERTICALES

La instalación puede realizarse con el techo inclinado u horizontal, utilizando el accesorio chimenea y la teja con funda que se suministra bajo demanda.



Para instrucciones más detalladas sobre las modalidades de montaje de los accesorios véanse las noticias técnicas que acompañan los accesorios.

### ... CONDUCTO DE AIRE/SALIDA DE GASES INDEPENDIENTE

Este tipo de conducto permite expulsar los gases de escape fuera del edificio e introducirlos en conductos de salida de gases sencillos. El aire de combustión puede evacuarse en una ubicación diferente del punto donde está situado el terminal de salida de gases.

El kit de separación se compone de un adaptador para conducto de salida de gases (100/80) y de un adaptador para conducto de aire. En el adaptador para conducto de aire, instale los tornillos y juntas previamente extraídos de la tapa.

(L1+L2)	Posición del acoplamiento	Salida de gases RESTRICTOR Ⓐ	CO <sub>2</sub> %	
			G20	G31
0 ÷ 4	1	NO	6,4	7,4
4 ÷ 18	2			
18 ÷ 30	3			

**El primer codo de 90° no se incluye en la longitud máxima disponible.**

El codo de 90° permite conectar la caldera a un conducto de aire/salida de gases en cualquier dirección y puede girar 360°. Asimismo, es posible utilizar un codo suplementario y acoplarlo al conducto o a un codo de 45°.

- **Un codo de 90° reduce la longitud total del conducto en 0,5 metros.**
- **Un codo de 45° reduce la longitud total del conducto en 0,25 metros.**

#### Ajuste del control de aire/salida de gases dividido

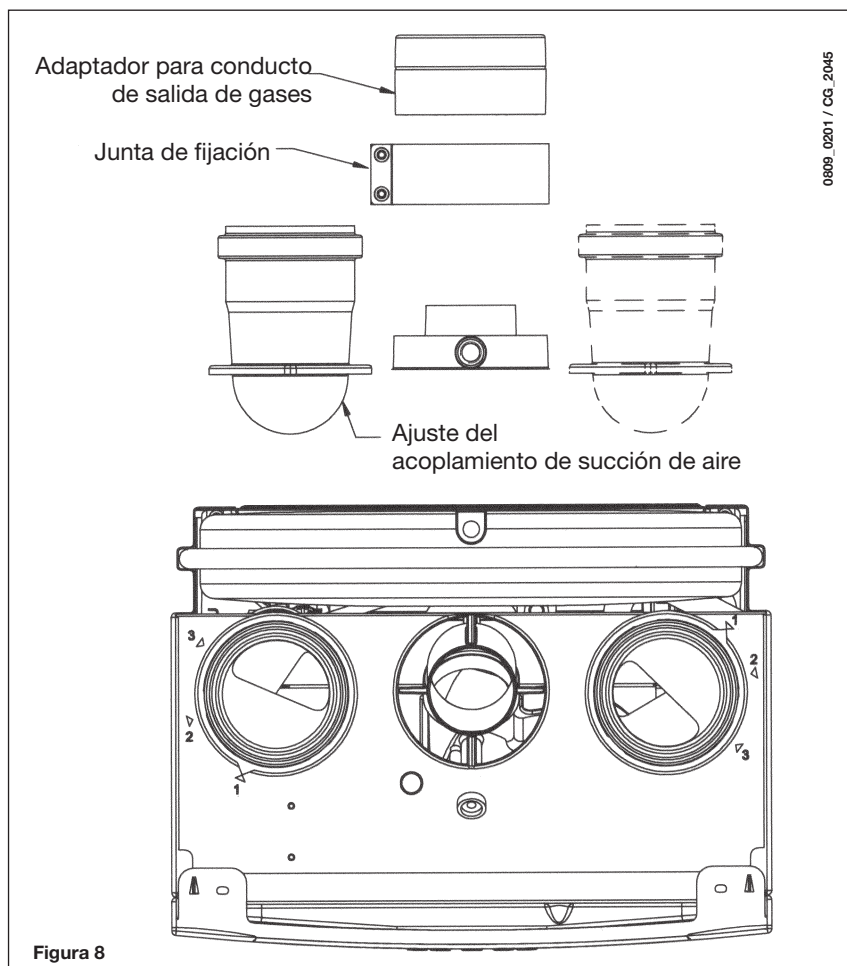
El ajuste de este control debe realizarse para optimizar los parámetros de rendimiento y combustión.

El acoplamiento de succión de aire puede girarse para ajustar el exceso de aire de acuerdo con la longitud total de los conductos de entrada y salida de gases del aire de combustión.

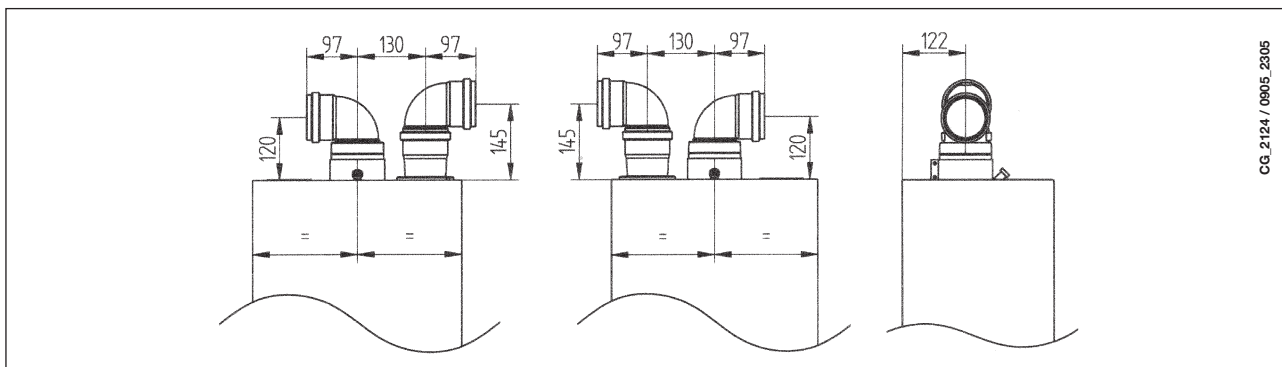
Gire este regulador en sentido antihorario para reducir el exceso de aire comburente y viceversa para aumentarlo.

Para mejorar la optimización, puede utilizarse un analizador de productos de combustión con el fin de medir el contenido de CO<sub>2</sub> de la salida de gases a temperatura máxima ajustando gradualmente el aire para obtener la lectura de CO<sub>2</sub> de la tabla siguiente, si el análisis muestra un valor inferior.

Para instalar este dispositivo correctamente, consulte también los datos técnicos que se suministran con la conexión.

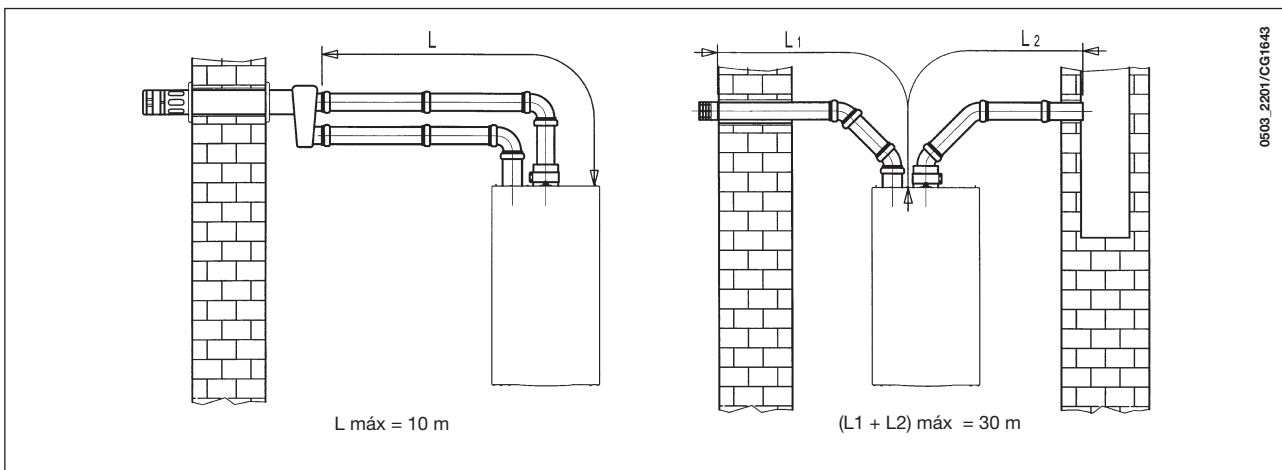


## 16.4 DIMENSIONES GENERALES DE LA SALIDA DE GASES DIVIDIDA



## 16.5 OPCIONES DE INSTALACIÓN DE TERMINALES DE SALIDA DE GASES HORIZONTALES INDEPENDIENTES

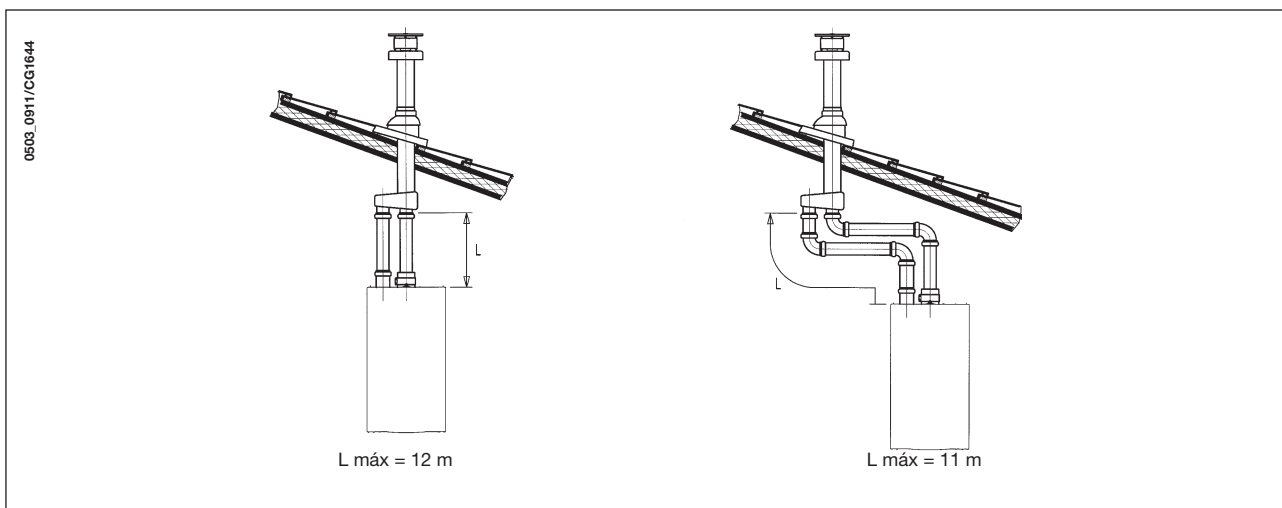
**IMPORTANTE** - Asegúrese de dejar una pendiente descendente de 1 cm como mínimo hacia el exterior por cada metro de longitud del conducto. En caso de instalar el kit de recogida de condensación, el ángulo del conducto de drenaje debe orientarse directamente a la caldera.



**NOTA:** En los tipos C52, los terminales de succión de aire de combustión y de extracción de productos de combustión nunca deben instalarse en paredes opuestas del edificio. La longitud máxima del conducto de succión debe ascender a 10 metros.

Si el conducto de salida de gases mide más de 6 m, el kit de recogida de condensación (suministrado como accesorio) debe instalarse cerca de la caldera.

## 16.6 OPCIONES DE INSTALACIÓN DE TERMINALES DE SALIDA DE GASES VERTICALES INDEPENDIENTES



**IMPORTANTE:** el conducto individual para la descarga de los productos de la combustión debe estar aislado de modo apropiado en los puntos donde está en contacto con las paredes de la vivienda. Se debe utilizar un revestimiento adecuado (por ejemplo un colchón de lana de vidrio). Para instrucciones más detalladas sobre las modalidades de montaje de los accesorios véanse las noticias técnicas que acompañan los accesorios.

## 17. CONEXIÓN ELÉCTRICA

La seguridad eléctrica del aparato sólo puede garantizarse si éste se conecta a una descarga a tierra eficaz, realizada con arreglo a las normas de seguridad sobre las instalaciones.

La caldera debe conectarse a una red eléctrica de 230 V monofásica + tierra, mediante el cable de tres hilos que se entrega y respetando la polaridad LÍNEA - NEUTRO.

**En la línea debe haber un interruptor bipolar con apertura de los contactos no inferior a 3 mm.**

Para sustituir el cable de alimentación, utilice un cable homologado HAR H05 VV-F de 3x0,75 mm<sup>2</sup> con diámetro de 8 mm como máximo.

### ...Acceso a la bornera de alimentación

- desconecte la caldera de la corriente eléctrica mediante el interruptor bipolar;
- desenrosque los dos tornillos que fijan el panel de mandos a la caldera;
- gire el panel de mandos;
- quite la tapa para acceder a la zona de las conexiones eléctricas (figura 9).

El fusible (rápido de 2 A) está en la bornera de alimentación: extraiga el portafusibles negro para realizar el control o la sustitución.

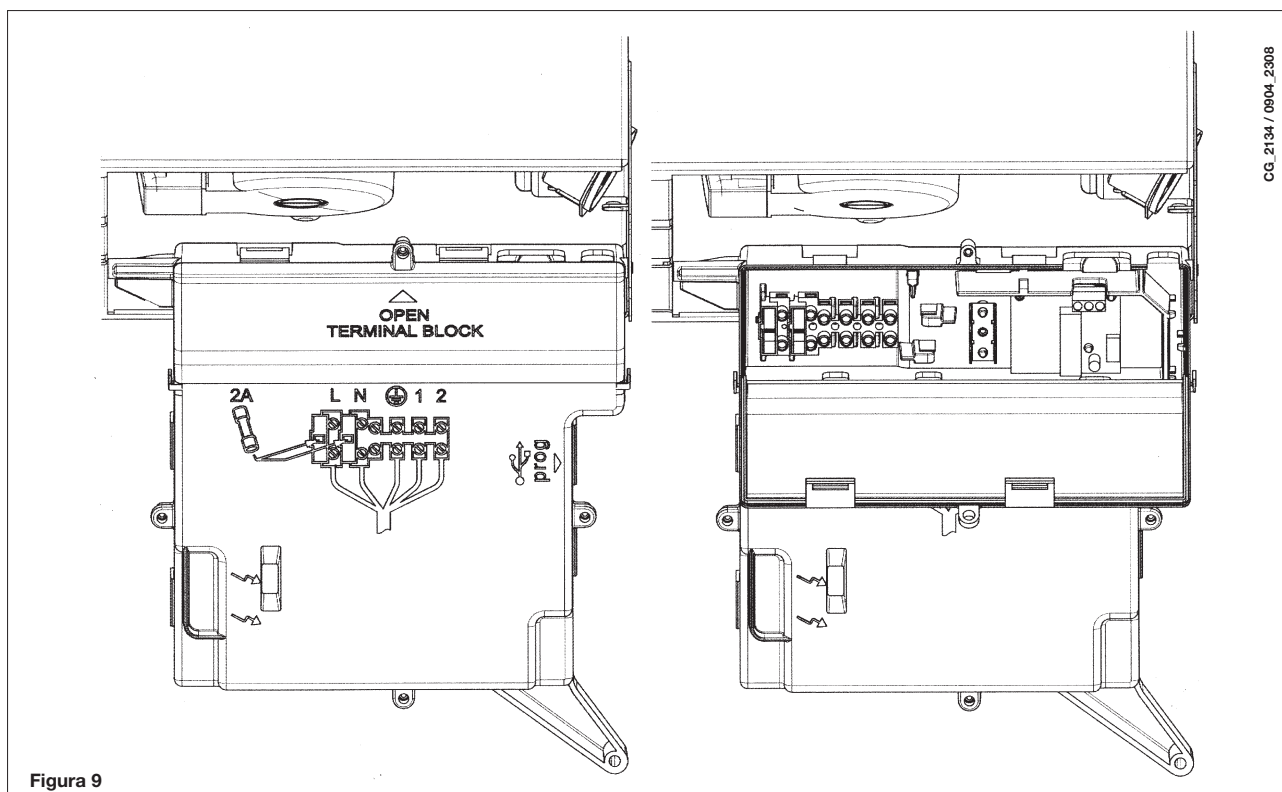
**IMPORTANTE:** respete la polaridad eléctrica L (LÍNEA) - N (NEUTRO).

(L) = Línea (marrón)

(N) = Neutro (celeste)

(⊕) = Tierra (amarillo-verde)

(1) (2) = Contacto para el termostato de ambiente



## 18. CONEXIÓN DEL TERMOSTATO DE AMBIENTE

- acceda a la bornera de alimentación (figura 9) como se describe en el capítulo anterior;
- quite el puente entre los bornes (1) y (2);
- introduzca el cable de dos hilos por el pasacables y conéctelo a estos dos bornes.

## 19. ADAPTACIÓN A OTROS TIPOS DE GAS

La caldera puede modificarse para funcionar con gas metano (**G. 20**) o gas líquido (**G. 31**). Esta operación debe ser realizada por un Centro de Asistencia Técnica autorizado.

Realice las operaciones siguientes, en este orden:

- sustituya los inyectores del quemador principal;
- cambie la tensión del modulador;
- calibre el máximo y el mínimo del regulador de presión.

### A) Sustitución de los inyectores

- Extraiga con cuidado el quemador principal.
- Cambie los inyectores del quemador principal y bloquee los nuevos a tope para evitar que haya fugas de gas. El diámetro de los inyectores se indica en la tabla 2.

### B) Cambio de tensión del modulador

- configure el parámetro **F02** según el tipo de gas, del modo descrito en el capítulo 21;

### C) Calibración del regulador de presión

- Conecte la toma de presión positiva de un manómetro diferencial, si es posible de agua, en la toma de presión (**Pb**) de la válvula del gas (Figura 10). Sólo en los modelos con cámara estanca: conecte la toma negativa del mismo manómetro a una **T** que permita conectar al mismo tiempo la toma de compensación de la caldera, la toma de compensación de la válvula del gas (**Pc**) y el manómetro. Una medición similar puede realizarse conectando el manómetro a la toma de presión (**Pb**) sin el panel frontal de la cámara estanca.

Cualquier otro método utilizado para medir la presión en los quemadores podría dar resultados falsos, ya que no tomaría en cuenta la depresión creada por el ventilador en la cámara estanca.

#### C1) Regulación a la potencia nominal:

- abra el grifo del gas y sitúe la caldera en Invierno;
- Abra el grifo de salida de agua sanitaria con un caudal de 10 l/min como mínimo, o bien asegúrese de que se produzca la demanda máxima de calor.
- Quite la tapa del modulador.
- Gire el tornillo de latón (**A**) hasta obtener los valores de presión indicados en la tabla 1.
- Controle que la presión dinámica de alimentación de la caldera, medida en la toma de presión (**Pa**) de la válvula del gas (Figura 10), sea correcta (37 mbar para propano o 20 mbar para gas natural).

#### C2) Regulación a potencia reducida:

- Desconecte el cable de alimentación del modulador y desenrosque el tornillo (**B**) hasta obtener la presión correspondiente a la potencia reducida (tabla 1).
- Conecte otra vez el cable.
- Monte la tapa del modulador y precinte.

#### C3) Controles finales

- Instale la placa adicional, que se suministra con la transformación, donde están indicados el tipo de gas y el calibrado efectuado.

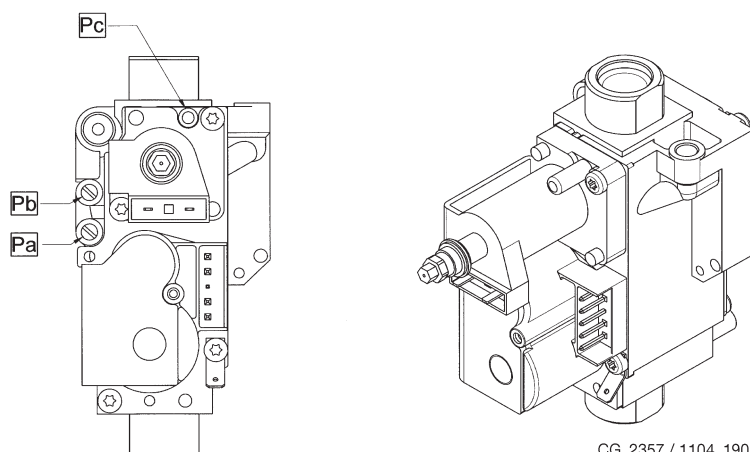


Figura 10

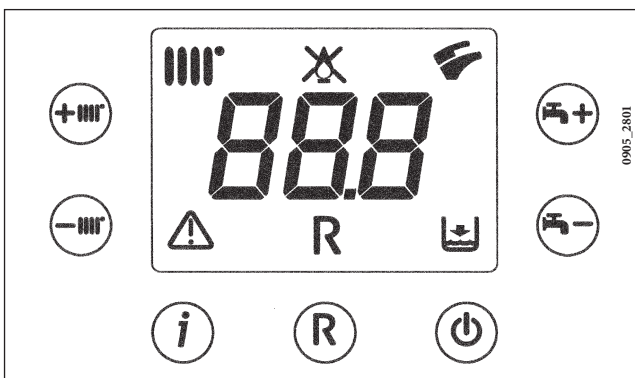
CG\_2357 / 1104\_1901



## 19.1 FUNCIÓN DE CALIBRADO DE LA VÁLVULA DEL GAS

Para facilitar las operaciones de calibrado de la válvula del gas, es posible seleccionar la función de calibrado directamente en el panel de mandos de la caldera, actuando como se explica a continuación:

- pulsar a la vez la tecla + y la tecla + durante al menos 6 segundos;
- tras unos 6 segundos, los símbolos parpadean;
- la pantalla visualiza, con un intervalo de 1 segundo, "100" y la **temperatura de impulsión**.  
En esta fase, la caldera funciona con la máxima potencia de calefacción (100%).
- Pulsando las teclas +/- es posible seleccionar instantáneamente (100% o 0%) la potencia de la caldera;
- Regular el tornillo "Pmax/Pmin" (figura 10) hasta obtener el valor de presión que se indica en la Tabla 1.



Para regular la presión en la potencia máxima, actuar sobre el tornillo "Pmax" (fig. 10), girándolo en sentido horario para aumentar la presión en el quemador o en sentido antihorario para reducirla.

Para regular la presión en la potencia mínima, actuar sobre el tornillo "Pmin" (fig. 10), girándolo en sentido antihorario para aumentar la presión en el quemador o en sentido horario para reducirla.

- pulsando las teclas +/- es posible seleccionar gradualmente el nivel de potencia deseado (intervalo = 1%).

Para salir de la función, pulsar la tecla .

### Nota

La función se desactiva automáticamente después de un periodo de 15 minutos, al final del cual la tarjeta electrónica vuelve al estado de funcionamiento anterior a la activación de la función misma, o al alcanzar la temperatura máxima programada.

## 19.2 MODIFICACIÓN DE PARÁMETROS

El procedimiento para acceder a los parámetros es el siguiente:

- pulsar a la vez la tecla - y la tecla - durante unos 6 segundos; la pantalla visualiza la indicación "F01" que se alterna con el valor programado;
- pulsar las teclas +/- para desplazarse por la lista de los parámetros;
- para aumentar o disminuir el valor del parámetro seleccionado, pulsar las teclas +/- respectivamente;
- pulsar la tecla para memorizar la programación de los parámetros programados (la pantalla visualiza la indicación "MEM" durante unos segundos).
- pulsar la tecla para salir de la programación sin memorizar (la pantalla visualiza la indicación "ESC" durante unos segundos).

### ADVERTENCIA

Para el cambio de gas de G20 a G31, modificar los parámetros F02, F08, F09, F10, y F16, como se indica en la tabla en el apartado 21. Aplicar la placa adicional, que forma parte de la transformación, indicando el tipo de gas y el calibrado efectuado.

Tabla de inyectores quemador

tipo de gas	G20	G31
diámetro inyectores (mm)	1,28	0,77
Presión en el quemador (mbar*) <b>POTENCIA REDUCIDA</b>	2,0	5,7
Presión en el quemador (mbar*) <b>POTENCIA NOMINAL</b>	11,2	32,6
Nº inyectores	13	

\* 1 mbar = 10,197 mm H<sub>2</sub>O

Tabla 1

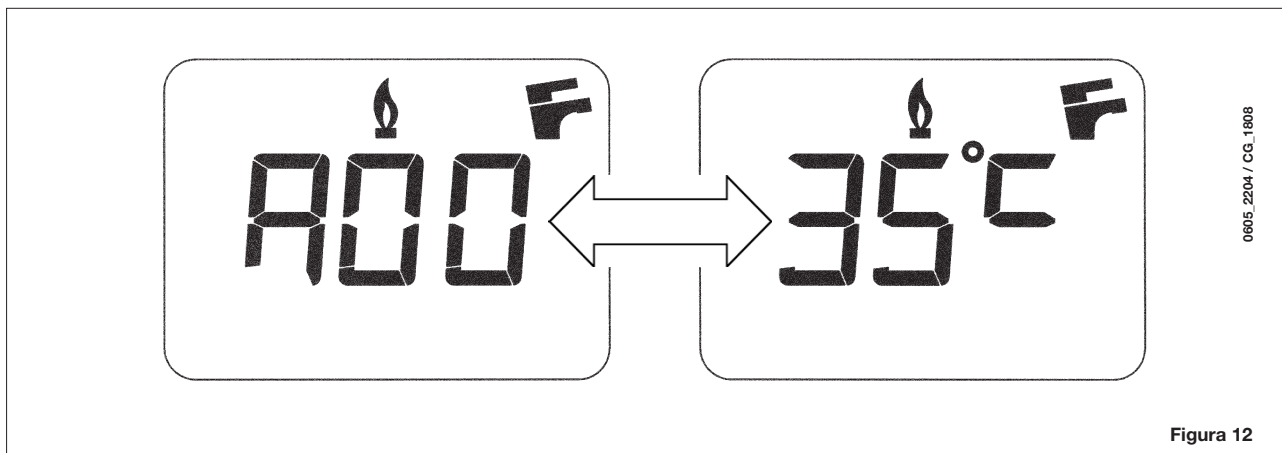
Consumo 15°C-1013 mbar	G20	G31
<b>Potencia nominal</b>	2,73 m³/h	2,00 kg/h
<b>Potencia reducida</b>	1,12 m³/h	0,82 kg/h
<b>p.c.i.</b>	34,02 MJ/m³	46,34 MJ/kg

Tabla 2

## 20. VISUALIZACIÓN DE LOS PARÁMETROS EN EL DISPLAY (FUNCIÓN "INFO")

Pulse durante por lo menos 5 segundos la tecla "i" para visualizar algunas informaciones sobre el funcionamiento de la caldera en el display situado en el panel frontal de la caldera.

**NOTA:** cuando la función "INFO" está activada, en el display (figura 12) aparece la indicación "A00" alternada con la temperatura de salida de la caldera:

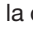



- Actúe sobre las teclas (+/-) para visualizar la siguiente información:


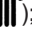


**A00:** valor (°C) actual de temperatura del agua sanitaria (A.C.S.);  
**A01:** valor (°C) actual de temperatura exterior (con sonda exterior conectada);  
**A02:** valor % instantáneo de la señal de control de la válvula de gas;  
**A03:** valor (%) del rango de potencia (MÁX. R);  
**A04:** valor (%) de temperatura del setpoint calefacción;  
**A05:** valor (°C) actual de temperatura salida calefacción;  
**A06:** valor (°C) de temperatura del setpoint sanitario;  
**A07:** No Utilizado;  
**A08:** No Utilizado;  
**A09:** último error ocurrido en la caldera.

- La función "INFO" permanece activada durante 3 minutos. Es posible interrumpir con anticipación la función "INFO" pulsando la tecla (i) durante por lo menos 5 segundos o cortando la tensión de la caldera.

## 21. CONFIGURACIÓN DE LOS PARÁMETROS

Para configurar los parámetros de la caldera pulse simultáneamente la tecla (← ) y la tecla (← ) durante por lo menos 6 segundos. Cuando la función esté activada, en el display aparecerá la indicación “F01” que se alterna con el valor del parámetro visualizado.

### Modificación de los parámetros

- Para desplazarse por los parámetros actúe sobre las teclas (+/- )
- Para modificar un parámetro actúe sobre las teclas (+/- )
- Para memorizar el valor pulse la tecla () en el display aparece la indicación “MEM”;
- Para salir de la función sin memorizar, pulse la tecla () en el display aparece la indicación “ESC”.

	Descripción de los parámetros	Configuración de fábrica
F01	Tipo de caldera 10 = cámara estanca - 20 = cámara abierta	10
F02	Tipo de gas utilizado 00 = G20 01 = G31	00 o 01
F03	Sistema hidráulico	02
F04 F05	Configuración relé programable (Véanse las instrucciones SERVICE) 00 = ninguna función asociada	00
F06	Programación setpoint (°C) máximo calefacción 00 = 76°C (Apagado del quemador a 80°C) 01 = 45°C	00
F07	Configuración entrada prioridad sanitaria	02
F08	Potencia máx. en calefacción (0-100%)	100
F09	Potencia máx. en sanitario (0-100%)	100
F10	Potencia mín. en calefacción (0-100%)	00
F11	Tiempo de espera en calefacción antes de un nuevo encendido (00-10 minutos) - 00=10 segundos	03
F12	Diagnóstico (Véanse las instrucciones SERVICE)	--
F13	Tipo de intercambiador 00 = 270 mm 01 = 225 mm	00
F14	Prueba para verificar la posición correcta de la sonda sanitaria 00 = Inhabilitado 01 = Siempre habilitado	00
F15	Valor de fábrica	00
F16...F17	Informaciones productor --- no utilizado	00

## 22. DISPOSITIVOS DE REGULACIÓN Y SEGURIDAD

La caldera cumple todas las normas europeas de referencia. En particular, está dotada de:

- **Presóstato del aire**

Este dispositivo impide que se encienda el quemador si la salida de humos no funciona perfectamente.

Ante la presencia de alguna de estas anomalías:

- terminal de salida obstruido
- tubo de Venturi obstruido
- ventilador bloqueado
- conexión Venturi-presóstato cortada

la caldera queda en espera y señala el código de error E03 (vea la tabla del apartado 10).

- **Termostato de seguridad**

Este dispositivo, cuyo sensor está situado en la salida de calefacción, corta el paso de gas al quemador si agua contenida en el circuito primario está demasiado caliente. En estas condiciones la caldera se bloquea y sólo después de haber eliminado la causa de la activación será posible repetir el encendido pulsando la tecla **(R)**, durante 2 segundos como mínimo.

---

Se prohíbe desactivar este dispositivo de seguridad

---

- **Detector de llama por ionización**

El electrodo de detección, situado a la derecha del quemador, garantiza la seguridad en caso de falta de gas o encendido incompleto del quemador.

La caldera se bloquea después del tercer intento.

Para restablecer las condiciones normales de funcionamiento es necesario pulsar la tecla **(R)**, durante 2 segundos como mínimo.

- **Presóstato hidráulico**

Este dispositivo impide que se encienda el quemador principal si la presión de la instalación no es superior a 0,5 bar.

- **Postcirculación de la bomba del circuito de calefacción**

La postcirculación de la bomba, obtenida electrónicamente, dura 180 segundos y se activa, en la función calefacción, cuando se apaga el quemador por actuación del termostato de ambiente.

- **Postcirculación de la bomba para circuito sanitario**

La postcirculación de la bomba, obtenida electrónicamente, dura 30 segundos y se activa cuando, en modo sanitario, se apaga el quemador por actuación de la sonda.

- **Dispositivo antihielo (circuito de calefacción)**

El control electrónico de la caldera incluye una función "antihielo" que actúa en calefacción: cuando la temperatura del agua de salida es inferior a 5°C, el quemador se enciende hasta que el agua llega a 30°C.

Esta función actúa si la caldera está conectada a la corriente eléctrica, hay paso de gas y la instalación está a la presión indicada.

- **No circula el agua en el circuito primario (probable bloqueo de la bomba)**

En caso de falta total o parcial de agua en el circuito primario, la caldera se bloquea y señala el código de error E25 (apartado 10).

- **Antibloqueo de la bomba**

Si, durante el funcionamiento en calefacción, no hay demanda de calor durante 24 horas consecutivas, la bomba se pone en marcha automáticamente durante 10 segundos. Esta función sólo se activa si la caldera está alimentada eléctricamente.

- **Válvula de seguridad hidráulica (circuito de calefacción)**

Este dispositivo, calibrado a 3 bar, protege el circuito de calefacción.

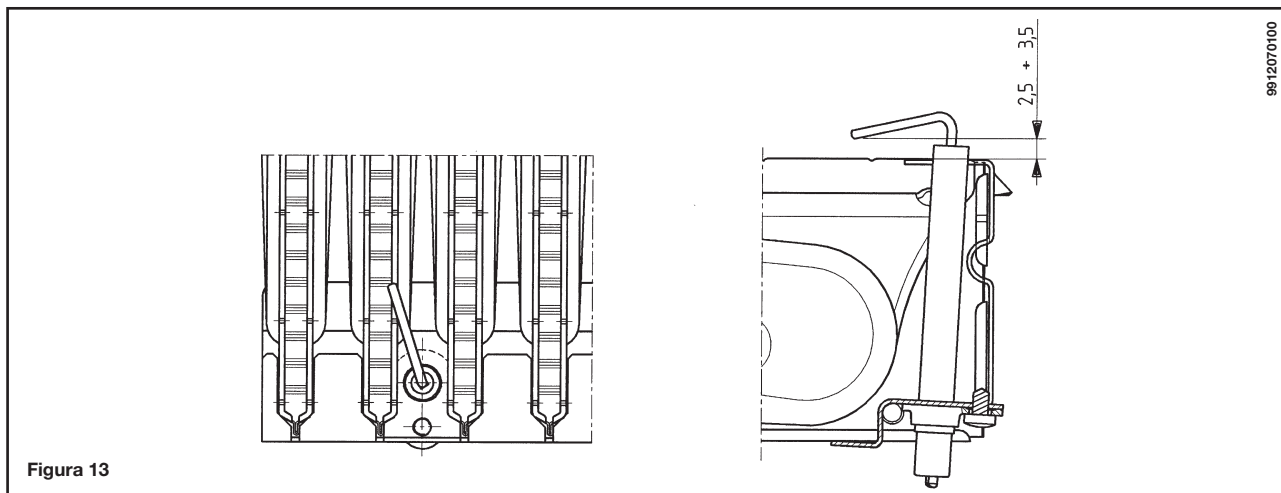
---

Se aconseja conectar la válvula de seguridad a un desagüe con sifón. Se prohíbe utilizarla para vaciar el circuito de calefacción.

---

**NOTA:** en caso de avería en la sonda NTC del circuito sanitario, la producción de agua caliente sanitaria está asegurada. En este caso el control de la temperatura se efectúa mediante la sonda de impulsión.

## 23. UBICACIÓN DEL ELECTRODO DE ENCENDIDO Y DETECCIÓN DE LLAMA



## 24. CONTROL DE LOS PARÁMETROS DE COMBUSTIÓN

Para la medición en obra del rendimiento de combustión y de la higienicidad de los productos de la combustión, los modelos de calderas de flujo forzado están provistos de dos tomas situadas en la unión concéntrica y destinadas a este uso específico.

Una toma está conectada al tubo de salida de humos y permite comprobar el rendimiento de la combustión y la composición de los productos resultantes.

La otra toma está conectada al tubo de entrada del aire comburente y permite verificar la eventual recirculación de los productos de combustión en caso de conductos coaxiales.

En la toma conectada a la salida de humos pueden medirse los siguientes valores:

- temperatura de los productos de la combustión;
- concentración de oxígeno ( $O_2$ ) o de anhídrido carbónico ( $CO_2$ );
- concentración de monóxido de carbono ( $CO$ ).

La temperatura del aire comburente se mide en la toma conectada a la tubería de entrada, introduciendo la sonda unos 3 cm.

**NOTA:** para la regulación de la potencia nominal véase el capítulo 19 (C).

En las calderas de tiro natural, hay que taladrar un orificio en el conducto de salida de humos, a una distancia de la caldera igual al doble del diámetro interior de dicho conducto.

Mediante dicho orificio es posible medir los siguientes valores:

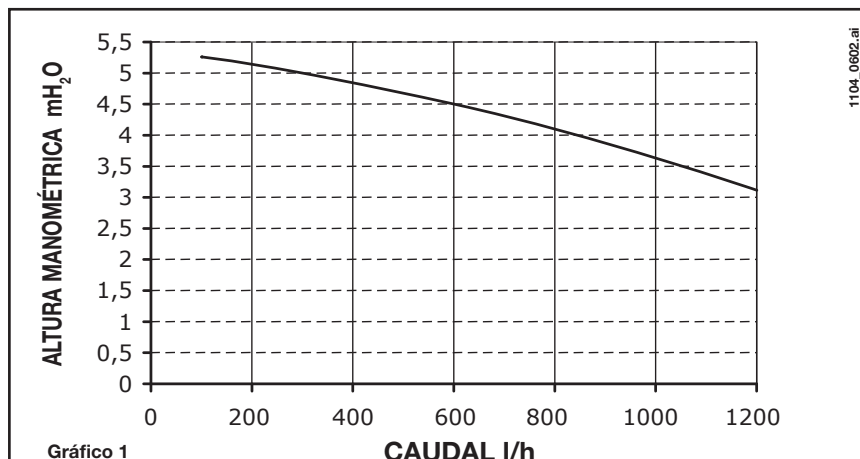
- temperatura de los productos de la combustión
- concentración de oxígeno ( $O_2$ ) o de anhídrido carbónico ( $CO_2$ )
- concentración de monóxido de carbono ( $CO$ )

La temperatura del aire comburente debe medirse junto a la entrada de aire a la caldera.

El orificio, que debe ser realizado por el instalador a la hora de la instalación, debe mantenerse cerrado para garantizar la estanqueidad del conducto de evacuación de los productos de combustión durante el funcionamiento de la caldera.

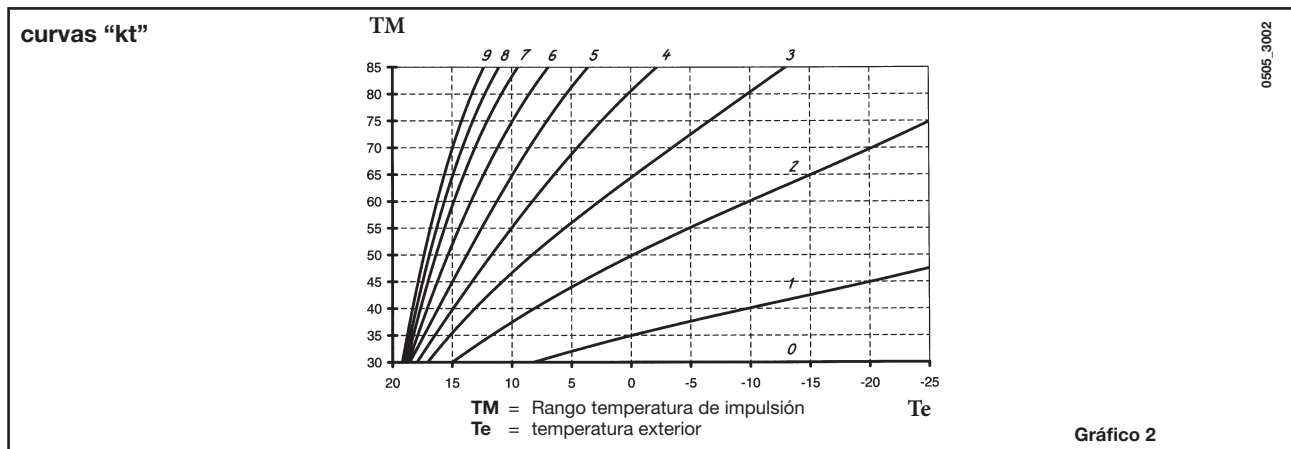
## 25. CURVAS CAUDAL/ALTURA MANOMÉTRICA EN LA PLACA

La bomba tiene una altura manométrica elevada, que permite utilizarla en cualquier instalación de calefacción de uno o dos tubos. La válvula automática de purga de aire, incorporada en el cuerpo de la bomba, permite una rápida desaireación del circuito.



## 26. CONEXIÓN DE LA Sonda EXTERIOR

En el conjunto de cables que salen del salpicadero hay dos cables de color ROJO dotados de cubrefaston de cabeza. Conecte la sonda exterior a los extremos de estos dos cables.  
Con la sonda exterior conectada es posible cambiar la curva "kt" (Gráfico 1) actuando sobre las teclas +/- IIIII.



## 27. MANTENIMIENTO ANUAL

Para asegurar el funcionamiento óptimo de la caldera es necesario efectuar anualmente los siguientes controles:

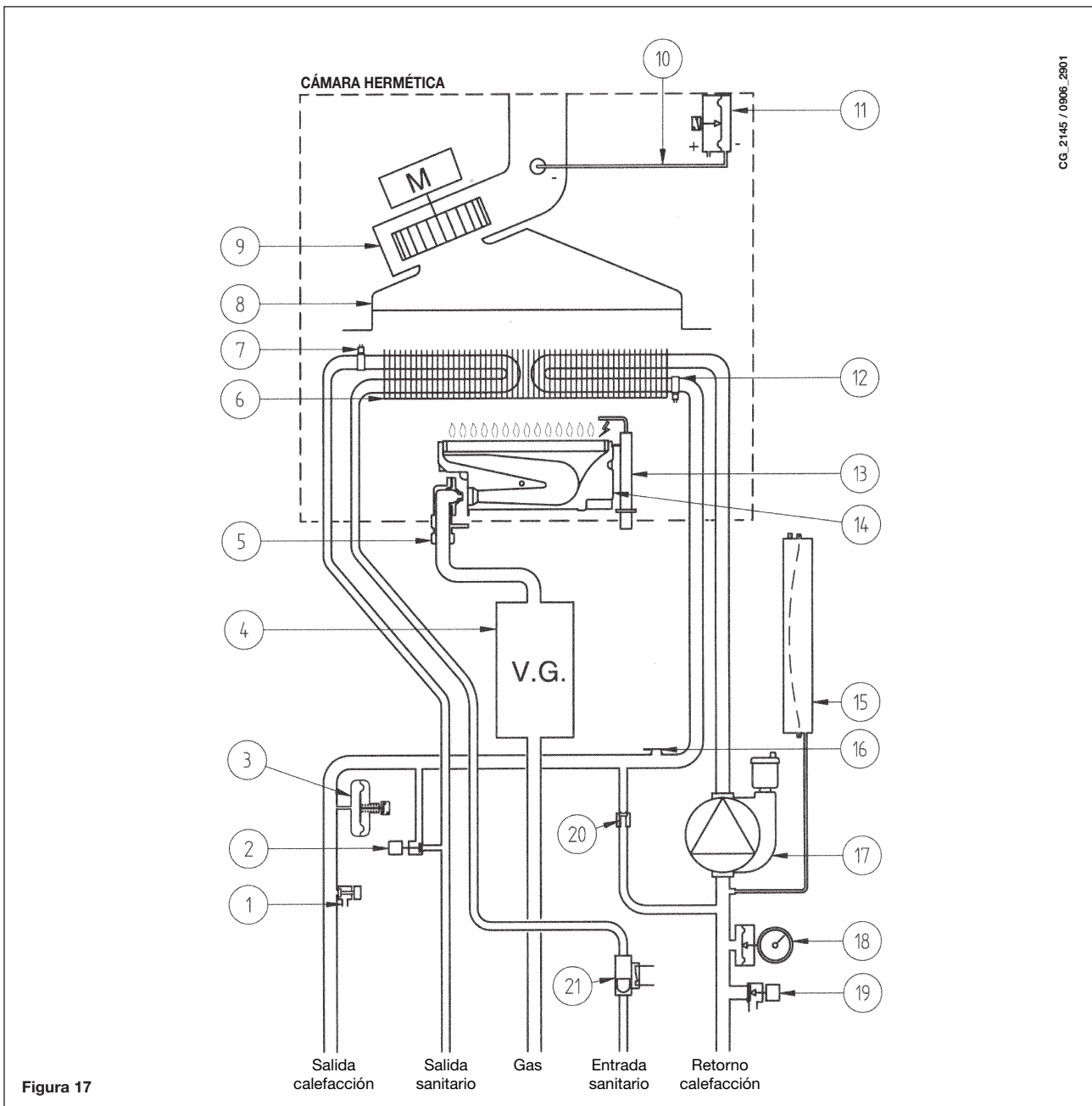
- control del aspecto y hermeticidad de las juntas del gas y del circuito de combustión;
- control del estado y de la correcta posición de los electrodos de encendido y detección de llama;
- control del estado del quemador y su fijación correcta;
- control de las eventuales impurezas presentes en la cámara de combustión. Para tal fin utilice un aspirador para la limpieza;
- control del correcto calibrado de la válvula del gas;
- control de la presión de la instalación de calefacción;
- control de la presión del vaso de expansión;
- control del correcto funcionamiento del ventilador;
- control de los conductos de descarga y aspiración para asegurarse de que no estén atascados.

### ADVERTENCIAS

**Antes de efectuar cualquier operación, asegúrese de que la caldera no esté alimentada eléctricamente.**

**Al finalizar las operaciones de mantenimiento, vuelva a situar los mandos y/o los parámetros de funcionamiento en las posiciones originales.**

## 28. ESQUEMA FUNCIONAL DE LOS CIRCUITOS



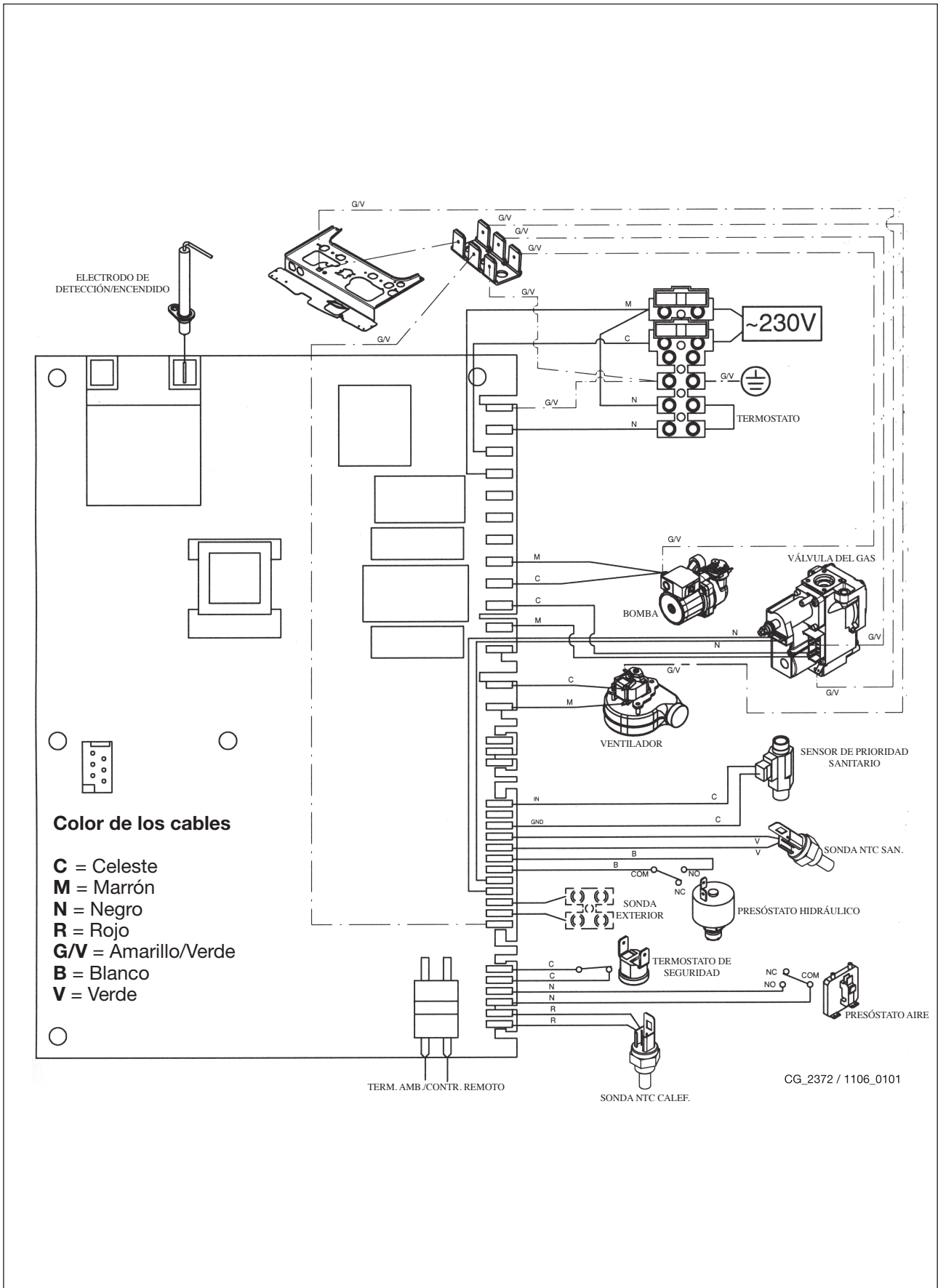
CG\_2145 / 0905\_2801

### Legenda:

- |    |                           |    |   |
|----|---------------------------|----|---|
| 1  | Grifo descarga caldera    | 12 | Sonda NTC calefacción                     |
| 2  | Grifo carga caldera       | 13 | Electrodo de encendido/detección de llama |
| 3  | Presóstato hidráulico     | 14 | Quemador                                  |
| 4  | Válvula del gas           | 15 | Vaso de expansión                         |
| 5  | Rampa gas con inyectores  | 16 | Termostato de seguridad                   |
| 6  | Intercambiador agua humos | 17 | Bomba con separador de aire               |
| 7  | Sonda NTC sanitario       | 18 | Manómetro                                 |
| 8  | Conducto de humos         | 19 | Válvula de seguridad                      |
| 9  | Ventilador                | 20 | By-pass automático                        |
| 10 | Toma de presión negativa  | 21 | Sensor de prioridad sanitario             |
| 11 | Presóstato del aire       |    |   |



# 29. ESQUEMA DE CONEXIÓN DE LOS CONECTORES



## 30. CARACTERÍSTICAS TÉCNICAS

### Modelo MAÍNFOUR 240F

Categoría		II <sub>2H3P</sub>	
Capacidad térmica nominal	kW	25,8	
Capacidad térmica reducida	kW	10,6	
Potencia térmica nominal	kW	24	
	kcal/h	20.600	
Potencia térmica reducida	kW	9,3	
	kcal/h	8.000	
Rendimiento según la directiva 92/42/CEE	—	★★★	
Presión máxima agua circuito térmico	bar	3	
Capacidad vaso de expansión	l	6	
Presión del vaso de expansión	bar	1	
Presión máxima agua circuito sanitario	bar	8	
Presión dinámica mínima agua circuito sanitario	bar	0,15	
Caudal mínimo agua sanitaria	l/min	2,0	
Producción agua sanitaria con $\Delta T=25\text{ }^{\circ}\text{C}$	l/min	13,7	
Producción agua sanitaria con $\Delta T=35\text{ }^{\circ}\text{C}$	l/min	9,8	
Caudal específico (*)	l/min	11	
Range temperatura circuito de calefacción	$^{\circ}\text{C}$	30/76	
Range temperatura agua sanitaria	$^{\circ}\text{C}$	35/55	
Tipo	—	C12-C32-C42-C52-C82-B22	
Diámetro conducto de salida concéntrico	mm	60	
Diámetro conducto de entrada concéntrico	mm	100	
Diámetro conducto de salida separado	mm	80	
Diámetro conducto de entrada separado	mm	80	
Diámetro conducto de salida	mm	-	
Caudal másico humos máx	kg/s	0,016	
Caudal másico humos mín	kg/s	0,016	
Temperatura humos máx	$^{\circ}\text{C}$	149	
Temperatura humos mín	$^{\circ}\text{C}$	119	
Clase NO <sub>x</sub>	—	3	
Tipo de gas	—	G20	
	—	G31	
Presión de alimentación gas metano	mbar	20	
Presión de alimentación gas propano	mbar	37	
Tensión de alimentación eléctrica	V	230	
Frecuencia de alimentación eléctrica	Hz	50	
Potencia eléctrica nominal	W	130	
Peso neto	kg	31	
Medidas	altura	mm	730
	anchura	mm	400
	profundidad	mm	299
Grado de protección contra la humedad y la penetración de agua (**)		IP X5D	

(\*) según EN 625

(\*\*) según EN 60529

**BAXI**, en su constante acción para mejorar los productos, se reserva la posibilidad de modificar los datos indicados en esta documentación en cualquier momento y sin aviso previo. Esta documentación es un soporte informativo y no se puede considerar como un contrato con terceros.

Αγαπητέ Πελάτη,

είμαστε βέβαιοι ότι ο νέος σας λέβητας θα ικανοποιήσει όλες τις απαιτήσεις σας.

Η αγορά ενός προϊόντος **BAXI** ικανοποιεί τις προσδοκίες σας: καλή λειτουργία, απλότητα και ευκολία στη χρήση.

Σας παρακαλούμε, να μη φυλάξετε αυτό το φυλλάδιο οδηγιών χωρίς να το διαβάσετε: περιέχει χρήσιμες πληροφορίες για τη σωστή και αποδοτική λειτουργία του λέβητα σας.

Τα υλικά της συσκευασίας (πλαστικές σακούλες, πολυστυρένιο κλπ.) πρέπει να φυλάσσονται μακριά από παιδιά, καθώς αποτελούν πιθανή εστία κινδύνου.


Η **BAXI** δηλώνει ότι τα εν λόγω μοντέλα φέρουν σήμανση CE, σε συμμόρφωση με τις βασικές απαιτήσεις των ακόλουθων Οδηγιών:

- Οδηγία Αερίων 2009/142/EK
- Οδηγία Αποδόσεων 92/42/ΕΟΚ
- Οδηγία Ηλεκτρομαγνητικής Συμβατότητας 2004/108/EK
- Οδηγία Χαμηλής Τάσης 2006/95/EK



## ΠΕΡΙΕΧΟΜΕΝΑ

### ΟΔΗΓΙΕΣ ΓΙΑ ΤΟΝ ΧΡΗΣΤΗ

1. Οδηγίες πριν την εγκατάσταση	47
2. Οδηγίες πριν από τη θέση σε λειτουργία	47
3. Θέση σε λειτουργία του λέβητα	48
4. Ρύθμιση της θερμοκρασία περιβάλλοντος και του ζεστού νερού οικιακής χρήσης	48
5. Περιγραφή κουμπιού  (Καλοκαίρι – Χειμώνας – Μόνο θέρμανση – Σβηστό)	49
6. Πλήρωση του συστήματος	49
7. Σβήσιμο του λέβητα	49
8. Αλλαγή αερίου	49
9. Παρατεταμένη αχρησία του συστήματος. Αντιπαγωγική προστασία (κύκλωμα θέρμανσης)	50
10. Επισημάνσεις – Επέμβαση διατάξεων ασφαλείας	50
11. Οδηγίες για την τακτική συντήρηση	50

### ΟΔΗΓΙΕΣ ΓΙΑ ΤΟΝ ΕΓΚΑΤΑΣΤΑΤΗ

12. Γενικές πληροφορίες	51
13. Οδηγίες πριν την εγκατάσταση	51
14. Εγκατάσταση λέβητα	52
15. Διαστάσεις λέβητα	52
16. Εγκατάσταση αγωγών απαγωγής – αναρρόφησης	53
17. Ηλεκτρική σύνδεση	57
18. Σύνδεση θερμοστάτη περιβάλλοντος	57
19. Τρόπος αλλαγής αερίου	58
20. Απεικόνιση παραμέτρων της ηλεκτρονικής κάρτας στην οθόνη λέβητα (λειτουργία “info”)	60
21. Ρύθμιση παραμέτρων	61
22. Διατάξεις ελέγχου και ασφαλείας	62
23. Τοποθέτηση ηλεκτροδίου ανάφλεξης και ανίχνευσης φλόγας	63
24. Έλεγχος παραμέτρων καύσης	63
25. Χαρακτηριστικά παροχής/μανομετρικού ύψους στην πλάκα	63
26. Σύνδεση του εξωτερικού αισθητήρα	64
27. Ετήσια συντήρηση	64
28. Λειτουργικό σχέδιο κυκλωμάτων	65
29. Σχέδιο σύνδεσης συνδέσμων	66
30. Τεχνικά χαρακτηριστικά	67



Η **BAXI**, μια από τις μεγαλύτερες Ευρωπαϊκές επιχειρήσεις στην παραγωγή λέβητων και συστημάτων θέρμανσης υψηλής τεχνολογίας, έχει πιστοποιηθεί από την CSQ για τα συστήματα διαχείρισης για την ποιότητα (ISO 9001), για το περιβάλλον (ISO 14001) και για την υγεία και ασφάλεια (OHSAS 18001). Αυτό βεβαιώνει ότι η **BAXI S.p.A.** αναγνωρίζει ως στρατηγικούς στόχους την προστασία του περιβάλλοντος, την αξιοπιστία και την ποιότητα των προϊόντων της, την υγεία και την ασφάλεια των υπαλλήλων της. Η επιχείρηση, μέσω της οργάνωσής της, δεσμεύεται σε σταθερή βάση στο να προσπαθεί και να βελτιώνει τους παραπάνω στόχους χάρη της ικανοποίησης των πελατών της



# 1. ΟΔΗΓΙΕΣ ΠΡΙΝ ΤΗΝ ΕΓΚΑΤΑΣΤΑΣΗ

Ο παρών λέβητας χρησιμεύει για θέρμανση νερού σε θερμοκρασία χαμηλότερη από τη θερμοκρασία βρασμού σε ατμοσφαιρική πίεση. Ο λέβητας πρέπει να είναι συνδεδεμένος με εγκατάσταση κεντρικής θέρμανσης και σε ένα δίκτυο διανομής ζεστού νερού οικιακής χρήσης, σύμφωνα με τις επιδόσεις και την ισχύ του.

Πριν την ανάθεση εγκατάστασης του λέβητα σε ειδικευμένο προσωπικό, διενεργήστε:

- προσεκτικό έλεγχο για να διαπιστωθεί ότι ο λέβητας μπορεί να λειτουργήσει με τον τύπο του διαθέσιμου αερίου. Για το σκοπό αυτό ελέγξτε την ένδειξη στη συσκευασία και στην ετικέτα της συσκευής.
- έλεγχο για να διαπιστωθεί ότι η καμινάδα έχει τον κατάλληλο ελκυσμό, δεν παρουσιάζει στενώσεις και ότι δεν έχουν συνδεθεί σε αυτήν αγωγοί απαγωγής άλλων συσκευών, εκτός και αν έχει κατασκευαστεί για να εξυπηρετεί περισσότερες συσκευές σύμφωνα με τους ισχύοντες κανονισμούς και διατάξεις.
- έλεγχο, σε περίπτωση σύνδεσης σε υφιστάμενες καμινάδες, ότι αυτές έχουν καθαριστεί προσεκτικά καθώς, σε αντίθετη περίπτωση, τα υπολείμματα μπορούν να αποκολληθούν από τα τοιχώματα κατά τη λειτουργία και να φράξουν τον αγωγό απαγωγής καυσαερίων.
- Για να εξασφαλιστεί η σωστή λειτουργία και για να ισχύσει η εγγύηση της συσκευής, είναι απαραίτητο να ληφθούν τα ακόλουθα μέτρα:

## 1. Κύκλωμα ζεστού νερού:

- 1.1. εάν η σκληρότητα του νερού είναι μεγαλύτερη από 20 °F: (1 °F = 10 mg ανθρακικού ασβεστίου ανά λίτρο νερού) απαιτείται η εγκατάσταση δοσομετρητή πολυφωσφορικών αλάτων ή άλλου ανάλογου συστήματος σύμφωνα με την ισχύουσα νομοθεσία.
- 1.2. είναι αναγκαία η διενέργεια επιμελούς πλύσης του συστήματος μετά την εγκατάσταση της συσκευής και πριν τη χρήση της.
- 1.3. Τα χρησιμοποιούμενα υλικά για το κύκλωμα ζεστού νερού οικιακής χρήσης του προϊόντος είναι σύμφωνα με την Οδηγία 98/83/ΕΚ.

## 2. Κύκλωμα θέρμανσης

### 2.1. Νέα εγκατάσταση

Πριν την εγκατάσταση του λέβητα, το σύστημα πρέπει να καθαριστεί καταλλήλως ώστε να απομακρυνθούν υπολείμματα από διάνοιξη σπειρωμάτων, συγκολλήσεις, και ενδεχόμενους διαλύτες, χρησιμοποιώντας κατάλληλα προϊόντα τα οποία διατίθενται στην αγορά μη όξινα και μη αλκαλικά, που δεν προσβάλλουν τα μέταλλα, τα πλαστικά και λαστιχένια μέρη. Τα συνιστώμενα προϊόντα καθαρισμού είναι τα εξής:

SENTINEL X300 ή X400 και FERNOX Αναγεννητής κυκλωμάτων θέρμανσης. Για τη χρήση των προϊόντων αυτών τηρείστε αυστηρά τις οδηγίες του κατασκευαστή τους.

### 2.2. Υφιστάμενη εγκατάσταση:

Πριν την εγκατάσταση του λέβητα, το σύστημα πρέπει να αδειάσει τελείως και να καθαριστεί καταλλήλως από λασπόνερα και ρύπους χρησιμοποιώντας κατάλληλα προϊόντα τα οποία διατίθενται στην αγορά και αναφέρονται στο σημείο 2.1.

Για την προστασία του συστήματος από κρούστες πρέπει να χρησιμοποιείτε προϊόντα αναστολές όπως SENTINEL X100 και FERNOX προστατευτικό για συστήματα θέρμανσης. Χρησιμοποιήστε αυτά τα προϊόντα τηρώντας αυστηρά τις οδηγίες του κατασκευαστή τους.

Υπενθυμίζεται ότι η παρουσία ξένων σωμάτων στην εγκατάσταση θέρμανσης μπορεί να προκαλέσει προβλήματα λειτουργίας του λέβητα (π.χ. υπερθέρμανση και θορυβώδης λειτουργία του εναλλάκτη).

---

Η μη τήρηση των παραπάνω συνεπάγεται την έκπτωση της εγγύησης της συσκευής.

---

# 2. ΟΔΗΓΙΕΣ ΠΡΙΝ ΑΠΟ ΤΗ ΘΕΣΗ ΣΕ ΛΕΙΤΟΥΡΓΙΑ

Το άναμμα του λέβητα για πρώτη φορά πρέπει να εκτελείται από εξουσιοδοτημένο Σέρβις που θα πρέπει να ελέγχει:

- Αν τα δεδομένα της πινακίδας αντιστοιχούν σε εκείνα των δικτύων τροφοδοσίας (ηλεκτρικό ρεύμα, νερό, αέριο).
- τη συμμόρφωση της εγκατάστασης με τους ισχύοντες νόμους και τις ισχύουσες διατάξεις.
- κατάλληλη σύνδεση με την παροχή ρεύματος και γείωση της συσκευής.

Τα στοιχεία των εξουσιοδοτημένων Κέντρων Τεχνικής Υποστήριξης αναφέρονται στο συνημμένο φύλλο.

Η μη τήρηση των παραπάνω συνεπάγεται την έκπτωση της εγγύησης.

Πριν τη θέση σε λειτουργία αφαιρέστε το προστατευτικό φιλμ από το λέβητα. Μη χρησιμοποιείτε για το σκοπό αυτό εργαλεία ή υλικά αποξυστικά γιατί μπορεί να προξενήσουν ζημιά στα βερνικωμένα μέρη.

---

*Η συσκευή δεν προορίζεται να χρησιμοποιηθεί από άτομα (συμπεριλαμβανομένων των παιδιών) των οποίων οι φυσικές, οι των αισθήσεων ή νοητικές ικανότητες είναι μειωμένες, ή λόγω έλλειψης εμπειρίας ή γνώσης, εκτός κι αν αυτά, μέσω ατόμου υπευθύνου για την ασφάλειά τους, επιτηρούνται ή γνωρίζουν τις οδηγίες τις σχετικές με τη χρήση της συσκευής.*

---

### 3. ΘΕΣΗ ΣΕ ΛΕΙΤΟΥΡΓΙΑ ΤΟΥ ΛΕΒΗΤΑ

Για να ανάψετε σωστά το λέβητα, ενεργήστε ως εξής:

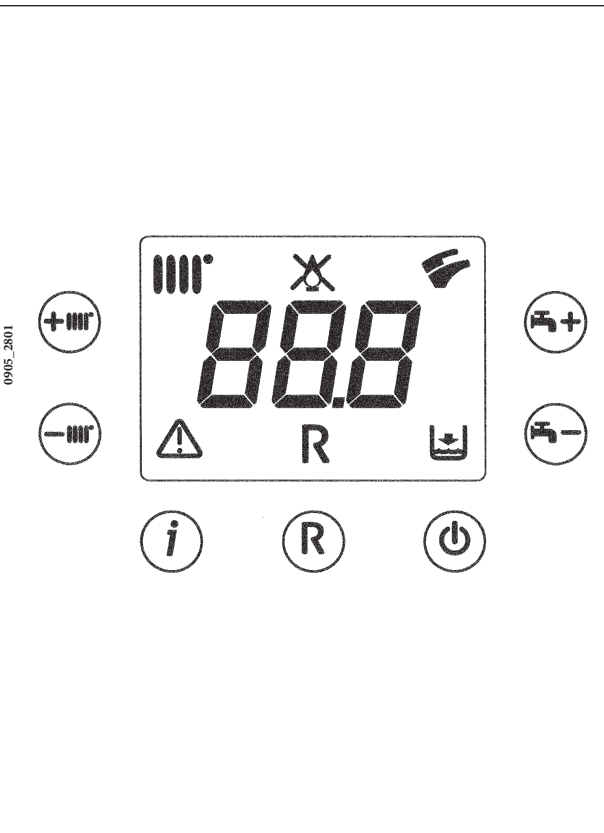
- 1) τροφοδοτήστε με ρεύμα το λέβητα
- 2) ανοίξτε τη στρόφιγγα του αερίου
- 3) ενεργήστε στο κουμπί (🔌) και ρυθμίστε το λέβητα σε Καλοκαίρι (☀️), Χειμώνα (❄️) ή μόνο θέρμανση (🔥);
- 4) Ενεργήστε στα κουμπιά (+/-) για να ρυθμίσετε τη θερμοκρασία του κυκλώματος θέρμανσης (🔥) και του ζεστού νερού οικιακής χρήσης (🚰) έτσι που να ανάψει ο κύριος καυστήρας.

Όταν ο λέβητας είναι αναμμένος, στην οθόνη εμφανίζεται το σύμβολο (🔥).

Σε θέση Καλοκαίρι (☀️) ο κύριος καυστήρας θα είναι αναμμένος μόνο σε περίπτωση λήψης ζεστού νερού οικιακής χρήσης.

#### ΠΡΟΕΙΔΟΠΟΙΗΣΗ

Σε φάση πρώτου ανάμματος, όσο δεν εκκενώνεται ο αέρας που περιέχεται στη σωλήνωση αερίου, μπορεί να διαπιστωθεί το μη άναμμα του καυστήρα και το μπλοκάρισμα του λέβητα. Στην περίπτωση αυτή συστήνεται να επαναλάβετε τις διεργασίες ανάμματος, μέχρι την άφιξη του αερίου στον καυστήρα, να πιέσετε το κουμπί (R), για τουλάχιστον 2 δευτερόλεπτα.



Εικόνα 1

#### ΥΠΟΜΝΗΜΑ ΣΥΜΒΟΛΩΝ

- 🔥 Λειτουργία σε θέρμανση
- 🔥 Παρουσία φλόγας (καυστήρας αναμμένος)
- ❌ Απουσία φλόγας (μη άναμμα)
- ☀️ Λειτουργία ζεστού νερού οικιακής χρήσης
- ⚠️ Γενική ανωμαλία
- R RESET
- 🚰 Απουσία νερού (Πίεση εγκατάστασης χαμηλή)
- 00.0 Επισήμανση αριθμητική (Θερμοκρασία, κωδ. ανωμαλίας, κλπ.)

#### ΥΠΟΜΝΗΜΑ ΚΟΥΜΠΙΩΝ

- 🔌 Άναμμα/Σβήσιμο/Καλοκαίρι/Χειμώνας
- 🔥 (+/-) : Ρύθμιση θερμοκρασίας θέρμανσης
- 🚰 (+/-) : Ρύθμιση θερμοκρασίας του νερού θέρμανσης
- R Reset
- i Πληροφορίες

### 4. ΡΥΘΜΙΣΗ ΤΗΣ ΘΕΡΜΟΚΡΑΣΙΑΣ ΠΕΡΙΒΑΛΛΟΝΤΟΣ ΚΑΙ ΤΟΥ ΝΕΡΟΥ ΟΙΚΙΑΚΗΣ ΧΡΗΣΗΣ

Η εγκατάσταση πρέπει να διαθέτει θερμοστάτη περιβάλλοντος για τον έλεγχο της θερμοκρασίας στους χώρους.

Η ρύθμιση της θερμοκρασίας περιβάλλοντος (🔥) και του ζεστού νερού οικιακής χρήσης (🚰) διενεργείται ενεργώντας στα αντίστοιχα κουμπιά +/- (εικόνα 1). Το άναμμα του καυστήρα απεικονίζεται στην οθόνη με το σύμβολο (🔥) όπως περιγράφεται στην παράγραφο 3.1.

#### ΘΕΡΜΑΝΣΗ

Κατά τη λειτουργία του λέβητα σε θέρμανση, στην οθόνη (εικόνα 1) απεικονίζεται το σύμβολο (🔥) διαλειπτικά και η θερμοκρασία παροχής θέρμανσης (°C).

#### ΖΕΣΤΟ ΝΕΡΟ ΟΙΚΙΑΚΗΣ ΧΡΗΣΗΣ

Κατά τη λειτουργία του λέβητα σε ζεστό νερό οικιακής χρήσης, στην οθόνη (εικόνα 1) απεικονίζεται το σύμβολο (🚰) διαλειπτικά και η θερμοκρασία εξόδου του ζεστού νερού οικιακής χρήσης (°C).

## 5. ΠΕΡΙΓΡΑΦΗ ΚΟΥΜΠΙΟΥ ☐ (Χειμώνας – Καλοκαίρι – Μόνο θέρμανση – Σβηστό)

Πιέζοντας το κουμπί αυτό μπορείτε να θέσετε τους ακόλουθους τρόπους λειτουργίας του λέβητα:

- ΚΑΛΟΚΑΙΡΙ
- ΧΕΙΜΩΝΑΣ
- ΜΟΝΟ ΘΕΡΜΑΝΣΗ
- ΣΒΗΣΤΟ

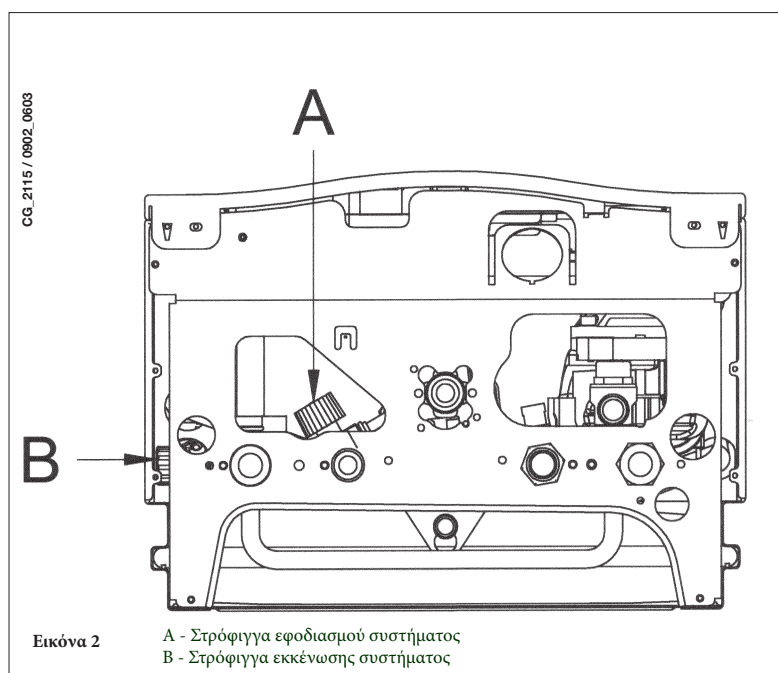
Στο **ΚΑΛΟΚΑΙΡΙ** στην οθόνη απεικονίζεται το σύμβολο (☐). Ο λέβητας ικανοποιεί μόνο τα αιτήματα θερμότητας σε ζεστό νερό οικιακής χρήσης, η θέρμανση ΔΕΝ ενεργοποιείται (αντιπαγωγική λειτουργία περιβάλλοντος ενεργή).

Στο **ΧΕΙΜΩΝΑΣ** στην οθόνη απεικονίζονται τα σύμβολα (☐) (☐). Ο λέβητας ικανοποιεί τόσο τα αιτήματα θερμότητας σε ζεστό νερό οικιακής χρήσης, όσο και εκείνα θέρμανσης (αντιπαγωγική λειτουργία περιβάλλοντος ενεργή).

Στο **ΜΟΝΟ ΘΕΡΜΑΝΣΗ** στην οθόνη απεικονίζεται το σύμβολο (☐). Ο λέβητας ικανοποιεί μόνο τα αιτήματα θερμότητας σε θέρμανση (αντιπαγωγική λειτουργία περιβάλλοντος ενεργή).

Επιλέγοντας **ΣΒΗΣΤΟ** η οθόνη δεν απεικονίζει κανένα από τα δύο σύμβολα (☐) (☐). Στον τρόπο αυτό ενεργοποιείται μόνο η αντιπαγωγική λειτουργία περιβάλλοντος, κάθε άλλο αίτημα θερμότητας ζεστού νερού ή θέρμανσης δεν ικανοποιείται,

## 6. ΠΛΗΡΩΣΗ ΤΗΣ ΕΓΚΑΤΑΣΤΑΣΗΣ



### ΠΡΟΕΙΔΟΠΟΙΗΣΗ

Διακόψτε την τάση στο λέβητα μέσω του διπολικού διακόπτη.

**ΣΗΜΑΝΤΙΚΟ:** Ελέγχετε περιοδικά εάν η ένδειξη της πίεσης στο μανόμετρο κυμαίνεται από 0,7 έως 1,5 bar όταν δε λειτουργεί ο λέβητας. Σε περίπτωση υπερπίεσης ανοίξτε τη βαλβίδα αποστράγγισης του λέβητα. Στην περίπτωση που είναι μικρότερη ενεργήστε στη στρόφιγγα εφοδιασμού του λέβητα (εικόνα 3). Συνιστάται το άνοιγμα της στρόφιγγας να γίνεται πολύ αργά ώστε να διευκολύνεται η εξαέρωση.

Ο λέβητας διαθέτει υδραυλικό πρεσοστάτη που, σε περίπτωση απουσίας νερού, δεν επιτρέπει τη λειτουργία του λέβητα.

**ΣΗΜΕΙΩΣΗ:** Σε περίπτωση που παρατηρούνται συχνές πτώσεις πίεσης, ζητήστε την επέμβαση του εξουσιοδοτημένου Σέρβις.

## 7. ΣΒΗΣΙΜΟ ΤΟΥ ΛΕΒΗΤΑ

Για το σβήσιμο του λέβητα διακόψτε την ηλεκτρική τροφοδοσία της συσκευής. Στον τρόπο λειτουργίας «ΣΒΗΣΤΟ» (παράγραφος 5) ο λέβητας παραμένει σβηστός (η οθόνη απεικονίζει την ένδειξη OFF) αλλά τα ηλεκτρικά κυκλώματα παραμένουν υπό τάση και ενεργοποιείται η αντιπαγωγική λειτουργία (παράγραφος 9).

## 8. ΑΛΛΑΓΗ ΑΕΡΙΟΥ

Οι λέβητες μπορούν να λειτουργούν είτε με μεθάνιο, είτε με υγραέριο GPL.

Σε περίπτωση που καθίσταται αναγκαία η μετατροπή, πρέπει να απευθυνθείτε στο εξουσιοδοτημένο Σέρβις.



## 9. ΠΑΡΑΤΕΤΑΜΕΝΗ ΑΧΡΗΣΙΑ ΤΟΥ ΣΥΣΤΗΜΑΤΟΣ. ΑΝΤΙΠΑΓΩΤΙΚΗ ΠΡΟΣΤΑΣΙΑ

Συνιστάται να αποφεύγετε την αποστράγγιση ολόκληρης της εγκατάστασης θέρμανσης, καθώς οι αλλαγές νερού αποτελούν αιτία σχηματισμού άχρηστων και επιβλαβών αλάτων στο εσωτερικό του λέβητα και των θερμαντικών σωμάτων. Σε περίπτωση που η θερμική εγκατάσταση δε χρησιμοποιείται κατά τη διάρκεια του χειμώνα και υπάρχει κίνδυνος παγετού, συνιστάται να προσθέσετε στο νερό της εγκατάστασης κατάλληλα διαλύματα αντιπαγωτικού που προορίζονται για το σκοπό αυτό (π.χ. προπυλενική γλυκόλη σε συνδυασμό με αναστολείς διάβρωσης και καθαλατώσεων).

Η ηλεκτρονική διαχείριση του λέβητα είναι εφοδιασμένη με “αντιπαγωτική” προστασία στη λειτουργία θέρμανσης ώστε με θερμοκρασία κατάθλιψης μικρότερης των 5 °C να τίθεται σε λειτουργία ο καυστήρας μέχρι η θερμοκρασία κατάθλιψης να φθάσει περίπου τους 30 °C. Αυτή η λειτουργία είναι ενεργή εάν:

- \* ο λέβητας τροφοδοτείται με ηλεκτρισμό.
- \* υπάρχει αέριο.
- \* η πίεση της εγκατάστασης είναι η προκαθορισμένη.
- \* ο λέβητας δε βρίσκεται σε κατάσταση εμπλοκής.

## 10. ΕΝΔΕΙΞΕΙΣ-ΕΠΕΜΒΑΣΗ ΣΥΣΤΗΜΑΤΩΝ ΑΣΦΑΛΕΙΑΣ

Οι ανωμαλίες απεικονίζονται στην οθόνη και ταυτοποιούνται με έναν κωδικό σφάλματος (π.χ. E01):



Για να κάνετε RESET στο λέβητα, πιέστε για τουλάχιστον 2 δευτερόλεπτα το κουμπί «R». Σε περίπτωση παρατεταμένης επέμβασης της διάταξης αυτής, καλέστε το εξουσιοδοτημένο κέντρο τεχνικής υποστήριξης.

**ΣΗΜΕΙΩΣΗ:** μπορείτε να κάνετε 5 διαδοχικές προσπάθειες επανοπλισμού μετά τις οποίες ο λέβητας παραμένει μπλοκαρισμένος. Για νέα προσπάθεια επανοπλισμού, πρέπει να σβήσετε το λέβητα για μερικά δευτερόλεπτα.

ΑΠΕΙΚΟΝΙΖΟΜΕΝΟΣ ΚΩΔΙΚΟΣ	ΑΝΩΜΑΛΙΑ	ΕΠΕΜΒΑΣΗ
E01	Μπλοκάρισμα ανάφλεξης	Πιέστε για τουλάχιστον 2 δευτερόλεπτα το κουμπί «R». Σε περίπτωση επαναλαμβανόμενης επέμβασης της ανωμαλίας αυτής καλέστε το εξουσιοδοτημένο κέντρο Σέρβις
E02	Μπλοκάρισμα λόγω επέμβασης θερμοστάτη ασφαλείας	Πιέστε για τουλάχιστον 2 δευτερόλεπτα το κουμπί «R». Σε περίπτωση επαναλαμβανόμενης επέμβασης της ανωμαλίας αυτής καλέστε το εξουσιοδοτημένο κέντρο Σέρβις
E03	Επέμβαση θερμοστάτη καυσαερίων/πιεζοστάτη καυσαερίων	Καλέστε το εξουσιοδοτημένο κέντρο Σέρβις.
E04	Μπλοκάρισμα λόγω απώλειας φλόγας μετά από 6 διαδοχικές φορές	Πιέστε για τουλάχιστον 2 δευτερόλεπτα το κουμπί «R». Σε περίπτωση επαναλαμβανόμενης επέμβασης της ανωμαλίας αυτής καλέστε το εξουσιοδοτημένο κέντρο Σέρβις
E05	Βλάβη αισθητήρα παροχής	Καλέστε το εξουσιοδοτημένο κέντρο Σέρβις.
E06	Βλάβη αισθητήρα ζεστού νερού	Καλέστε το εξουσιοδοτημένο κέντρο Σέρβις.
E10	Μη συναίνεση του υδραυλικού πιεζοστάτη	Ελέγξτε αν η πίεση της εγκατάστασης είναι η δέουσα. Βλέπε παράγραφο 6. Αν η ανωμαλία επιμένει, καλέστε το εξουσιοδοτημένο κέντρο Σέρβις.
E25/E26	Επέμβαση ασφαλείας λόγω πιθανής αντλίας μπλοκαρισμένης	Καλέστε το εξουσιοδοτημένο κέντρο Σέρβις.
E27	Εσφαλμένη θέση του αισθητήρα ζεστού νερού οικιακής χρήσης	Πατήστε για τουλάχιστον 2 δευτερόλεπτα το κουμπί “R”. Σε περίπτωση επαναλαμβανόμενης επέμβασης της διάταξης αυτής, καλέστε το εξουσιοδοτημένο κέντρο τεχνικής υποστήριξης.
E32	Συναγερμός αλάτων	Καλέστε το εξουσιοδοτημένο κέντρο Σέρβις.
E35	Παρασιτική φλόγα (σφάλμα φλόγας)	Πιέστε για τουλάχιστον 2 δευτερόλεπτα το κουμπί «R». Σε περίπτωση επαναλαμβανόμενης επέμβασης της ανωμαλίας αυτής καλέστε το εξουσιοδοτημένο κέντρο Σέρβις
E96	Σβήσιμο οφειλόμενο σε πτώσεις τροφοδοσίας	Το RESET είναι αυτόματο. Αν η ανωμαλία επιμένει καλέστε το εξουσιοδοτημένο κέντρο Σέρβις.

**ΣΗΜΕΙΩΣΗ:** σε περίπτωση οπίσθιου φωτισμού της οθόνης αναβοσβήνει συγχρονισμένα με τον απεικονιζόμενο κωδικό σφάλματος.

## 11. ΟΔΗΓΙΕΣ ΓΙΑ ΤΗΝ ΤΑΚΤΙΚΗ ΣΥΝΤΗΡΗΣΗ

Για να διατηρείται η αποδοτική και ασφαλής λειτουργία του λέβητα σας, αναθέστε τον έλεγχο του σε εξουσιοδοτημένο Σέρβις μετά το τέλος κάθε περιόδου λειτουργίας.

Με την προσεγμένη συντήρηση εξασφαλίζεται η οικονομική λειτουργία της εγκατάστασης.

Ο εξωτερικός καθαρισμός της συσκευής δεν πρέπει να γίνεται με απορρυπαντικά σε σκόνη, διαβρωτικά και/ή εύφλεκτα προϊόντα (π.χ. βενζίνη, οινόπνευμα κλπ.) και πρέπει να εκτελείται πάντα με τη συσκευή εκτός λειτουργίας (βλ. κεφάλαιο 7 «σβήσιμο του λέβητα”).



## 12. ΓΕΝΙΚΕΣ ΠΛΗΡΟΦΟΡΙΕΣ

Οι τεχνικές σημειώσεις και οι οδηγίες που ακολουθούν απευθύνονται στους εγκαταστάτες προκειμένου να τους βοηθήσουν στην ορθή εκτέλεση της εγκατάστασης. Οι οδηγίες που αφορούν το άναμμα και τη χρήση του λέβητα βρίσκονται στο τμήμα που απευθύνεται στο χρήστη.

Εκτός αυτών, έχετε υπόψη σας ότι:

- Ο λέβητας μπορεί να συνδεθεί με παντός τύπου θερμαντική πλάκα, καλοριφέρ, αερόθερμο, δισωλήνιου ή μονοσωλήνιου τύπου. Ωστόσο, οι διατομές του κυκλώματος πρέπει να υπολογίζονται σύμφωνα με τις κοινές μεθόδους λαμβάνοντας υπόψη τη χαρακτηριστική παροχή-μανομετρικό ύψος διαθέσιμη για την πλάκα και που αναφέρονται στην παράγραφο 25.
- Τα υλικά της συσκευασίας (πλαστικές σακούλες, πολυστυρένιο κλπ.) πρέπει να φυλάσσονται μακριά από παιδιά, καθώς αποτελούν πιθανή εστία κινδύνου.
- Το άναμμα του λέβητα για πρώτη φορά πρέπει να εκτελείται από εξειδικευμένο Σέρβις, τα στοιχεία του οποίου αναφέρονται στο συνημμένο φύλλο.

Η μη τήρηση των παραπάνω καθιστά την εγγύηση άκυρη.

### ΠΡΟΕΙΔΟΠΟΙΗΣΗ ΣΥΜΠΛΗΡΩΜΑΤΙΚΗΣ ΑΝΤΛΙΑΣ

Σε περίπτωση χρήσης συμπληρωματικής αντλίας στην εγκατάσταση θέρμανσης, τοποθετήστε την στο κύκλωμα επιστροφής του λέβητα. Αυτό για να επιτραπεί η σωστή λειτουργία του πρεσοστάτη νερού.

### ΠΡΟΕΙΔΟΠΟΙΗΣΗ

Σε περίπτωση προσωρινής σύνδεσης του λέβητα (σύνθετος) σε εγκατάσταση με ηλιακά πάνελ, η μέγιστη θερμοκρασία του ζεστού νερού οικιακής χρήσης στην είσοδο του λέβητα δεν πρέπει να είναι μεγαλύτερη των **60°C**.

## 13. ΟΔΗΓΙΕΣ ΠΡΙΝ ΤΗΝ ΕΓΚΑΤΑΣΤΑΣΗ

Ο παρών λέβητας χρησιμεύει για θέρμανση νερού σε θερμοκρασία χαμηλότερη από τη θερμοκρασία βρασμού σε ατμοσφαιρική πίεση. Ο λέβητας πρέπει να είναι συνδεδεμένος με εγκατάσταση κεντρικής θέρμανσης και με δίκτυο παροχής ζεστού νερού, σύμφωνα με τις επιδόσεις και την ισχύ του.

Πριν ζητήσετε τη σύνδεση του λέβητα από ειδικευμένο επαγγελματικό προσωπικό, είναι αναγκαίος:

- a) προσεκτικός έλεγχος για να διαπιστωθεί ότι ο λέβητας μπορεί να λειτουργήσει με τον τύπο του διαθέσιμου αερίου. Για το σκοπό αυτό ελέγξτε την ένδειξη στη συσκευασία και στην ετικέτα της συσκευής.
- b) έλεγχος για να διαπιστωθεί ότι η καμινάδα έχει τον κατάλληλο ελκυσμό, δεν παρουσιάζει στενώσεις και ότι δεν έχουν συνδεθεί σε αυτήν αγωγοί απαγωγής άλλων συσκευών, εκτός και αν έχει κατασκευαστεί για να εξυπηρετεί περισσότερες συσκευές σύμφωνα με τους ισχύοντες κανονισμούς και διατάξεις.
- c) έλεγχος, σε περίπτωση σύνδεσης σε υφιστάμενες καμινάδες, ότι αυτές έχουν καθαριστεί προσεκτικά καθώς, σε αντίθετη περίπτωση, τα υπολείμματα μπορούν να αποκολληθούν από τα τοιχώματα κατά τη λειτουργία και να φράξουν τον αγωγό απαγωγής καυσαερίων.

Ακόμη, είναι αναγκαίο, για να διατηρηθεί η σωστή λειτουργία και η εγγύηση της συσκευής, να τηρηθούν οι εξής προφυλάξεις:

#### 1. Κύκλωμα ζεστού νερού:

- 1.1. εάν η σκληρότητα του νερού είναι μεγαλύτερη από 20 °F (1 °F = 10 mg ανθρακικού ασβεστίου ανά λίτρο νερού) απαιτείται η εγκατάσταση δοσομετρητή πολυφωσφορικών αλάτων ή άλλων ανάλογων συστημάτων σύμφωνα με την ισχύουσα νομοθεσία.
- 1.2. Είναι αναγκαίο ένα επιμελές πλύσιμο της εγκατάστασης μετά την τοποθέτηση της συσκευής και πριν τη χρήση της.
- 1.3. Τα χρησιμοποιούμενα υλικά για το κύκλωμα ζεστού νερού οικιακής χρήσης του προϊόντος είναι σύμφωνα με την Οδηγία 98/83/ΕΚ.

#### 2. Κύκλωμα θέρμανσης

##### 2.1. Νέα εγκατάσταση

Πριν την εγκατάσταση του λέβητα, το σύστημα πρέπει να καθαριστεί καταλλήλως ώστε να απομακρυνθούν υπολείμματα από διάνοιξη σπειρωμάτων, συγκολλήσεις, και ενδεχόμενους διαλύτες, χρησιμοποιώντας κατάλληλα προϊόντα τα οποία διατίθενται στην αγορά μη όξινα και μη αλκαλικά, που δεν προσβάλλουν τα μέταλλα, τα πλαστικά και λαστιχένια μέρη. Τα συνιστώμενα προϊόντα καθαρισμού είναι:

SENTINEL X300 ή X400 και FERNOX Αναγεννητής κυκλωμάτων θέρμανσης. Για τη χρήση των προϊόντων αυτών τηρείστε αυστηρά τις οδηγίες του κατασκευαστή τους.

##### 2.2. Υπάρχον σύστημα:

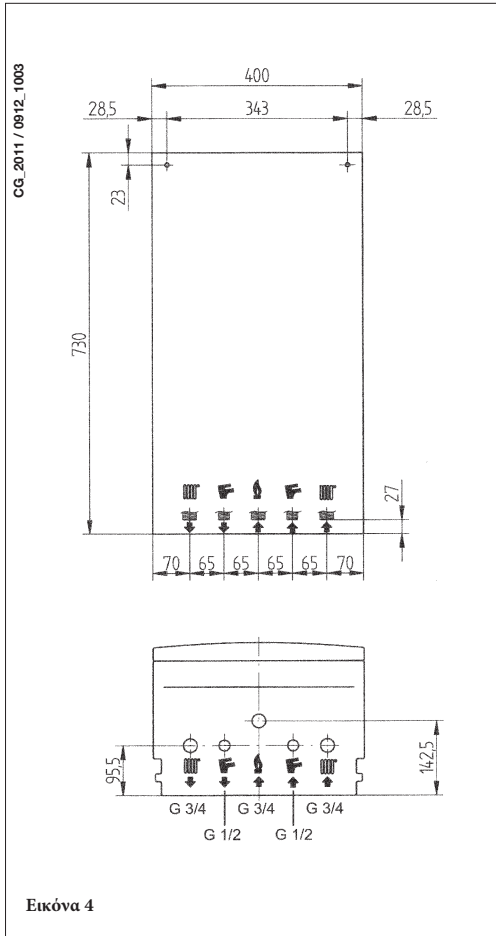
Πριν την εγκατάσταση του λέβητα, το σύστημα πρέπει να καθαριστεί καταλλήλως από λασπόνερα και ρύπους χρησιμοποιώντας κατάλληλα προϊόντα τα οποία διατίθενται στην αγορά και αναφέρονται στο σημείο 2.1.

Για την προστασία του συστήματος από κρούστες πρέπει να χρησιμοποιείτε προϊόντα αναστολής όπως SENTINEL X100 και FERNOX Προστατευτικό για συστήματα θέρμανσης. Χρησιμοποιήστε αυτά τα προϊόντα τηρώντας αυστηρά τις οδηγίες του κατασκευαστή τους.

Υπενθυμίζεται ότι η παρουσία ξένων σωμάτων στην εγκατάσταση θέρμανσης μπορεί να προκαλέσει προβλήματα λειτουργίας του λέβητα (π.χ. υπερθέρμανση και θορυβώδης λειτουργία του εναλλάκτη).

Η μη τήρηση των παραπάνω συνεπάγεται την έκπτωση της εγγύησης της συσκευής.






## 14. ΕΓΚΑΤΑΣΤΑΣΗ ΤΟΥ ΛΕΒΗΤΑ



Αφού καθορίσετε την ακριβή θέση του λέβητα, στερεώστε το σχέδιο εγκατάστασης στον τοίχο.

Για την εγκατάσταση, ξεκινήστε από τη θέση των στομιών εισαγωγή νερού και αερίου που υπάρχουν στην κάτω λωρίδα του σχεδίου. Συστήνεται η εγκατάσταση, στο κύκλωμα θέρμανσης, δύο ανασχετικών στροφιγγών (παροχής και επιστροφής) G3/4, που διατίθενται κατά παραγγελία και που επιτρέπουν, σε περίπτωση σημαντικών επεμβάσεων, να ενεργείτε χωρίς να χρειάζεται να αδειάζετε όλο το σύστημα θέρμανσης.

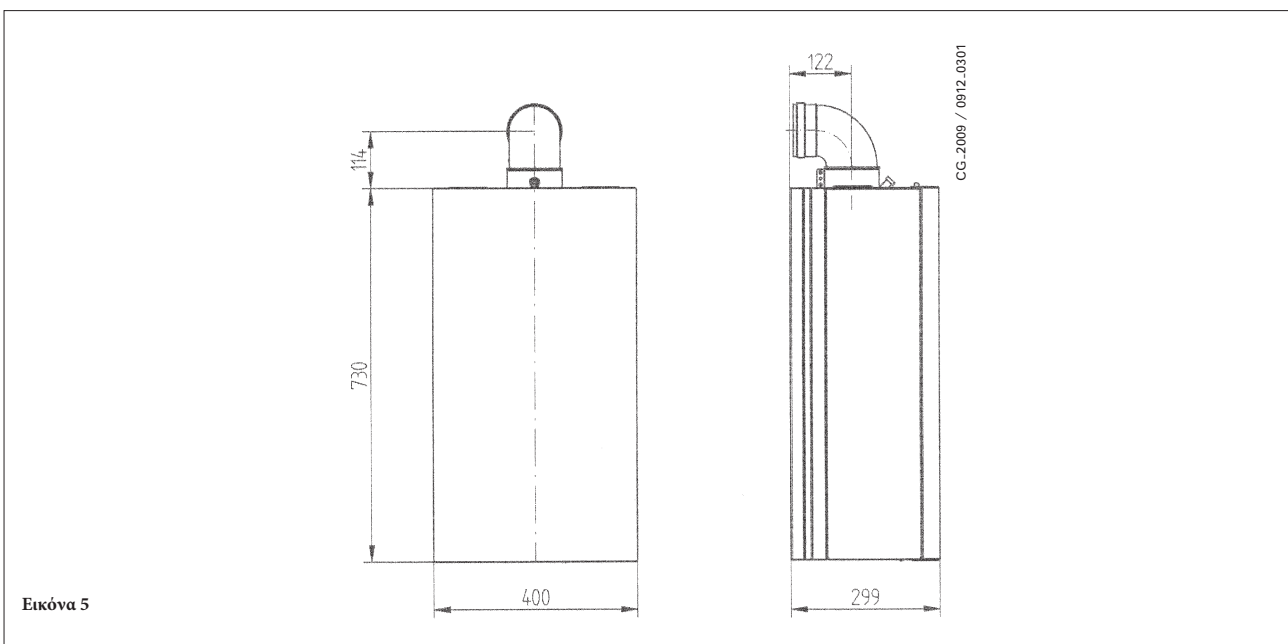
Σε περίπτωση υφιστάμενης εγκατάστασης και αντικατάστασης συνιστάται η τοποθέτηση στην επιστροφή του λέβητα και στο κάτω μέρος ενός δοχείου καθίζησης για τη συγκέντρωση αλάτων ή υπολειμμάτων τα οποία παραμένουν μετά τον καθαρισμό και μπορούν με το χρόνο να τεθούν σε κυκλοφορία. Μετά τη στερέωση του λέβητα στον τοίχο, συνδέστε τους αγωγούς απαγωγής και αναρρόφησης που διατίθενται ως αξεσουάρ, όπως περιγράφεται στα επόμενα κεφάλαια.

	G”3/4 ροή θέρμανσης
	G”3/4 επιστροφή συστήματος θέρμανσης
	G”1/2 έξοδος ζεστού νερού οικιακής χρήσης
	G”1/2 επιστροφή συστήματος θέρμανσης
	G”3/4 εισαγωγή αερίου στο λέβητα

### ΠΡΟΕΙΔΟΠΟΙΗΣΗ

Προσεκτικά σφίξτε τις συνδέσεις με νερό από τις θηλές του λέβητα (μέγιστη ροπή σύσφιξης 30 Nm).

## 15. ΔΙΑΣΤΑΣΕΙΣ ΛΕΒΗΤΑ



## 16. ΕΓΚΑΤΑΣΤΑΣΗ ΑΓΩΓΩΝ ΑΠΑΓΩΓΗΣ - ΑΝΑΡΡΟΦΗΣΗΣ

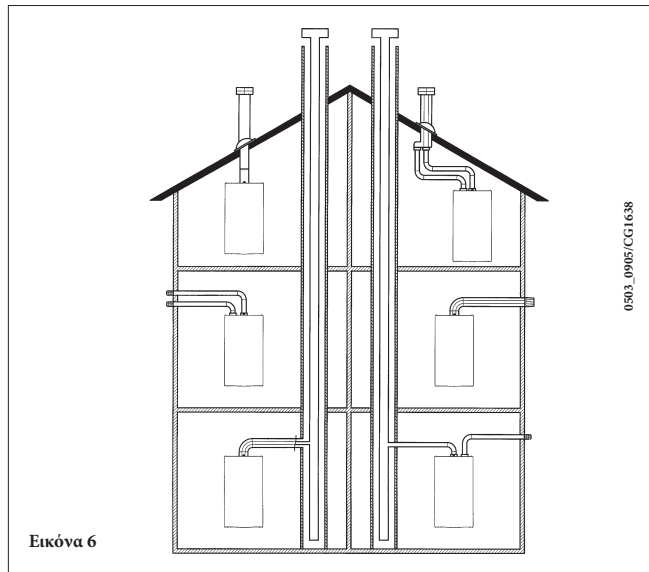
### Μοντέλο 24 F

Η εγκατάσταση του λέβητα μπορεί να γίνει με ευκολία και χωρίς προβλήματα χάρη στα διατιθέμενα εξαρτήματα τα οποία περιγράφονται στη συνέχεια.

Ο λέβητας είναι αρχικά ρυθμισμένος για σύνδεση με κατακόρυφο ή οριζόντιο αγωγό απαγωγής-αναρρόφησης ομοαξονικού τύπου. Με τη βοήθεια του κιτ διαχωρισμού επιτρέπεται και η χρήση δύο χωριστών αγωγών.

**Πρέπει να χρησιμοποιούνται, για την εγκατάσταση, αποκλειστικά αξεσουάρ παρεχόμενα από τον κατασκευαστή!**

**ΠΡΟΕΙΔΟΠΟΙΗΣΗ:** Για μεγαλύτερη ασφάλεια λειτουργίας οι αγωγοί απαγωγής καυσαερίων πρέπει να είναι στερεωμένοι στον τοίχο με ειδικά στηρίγματα στερέωσης.

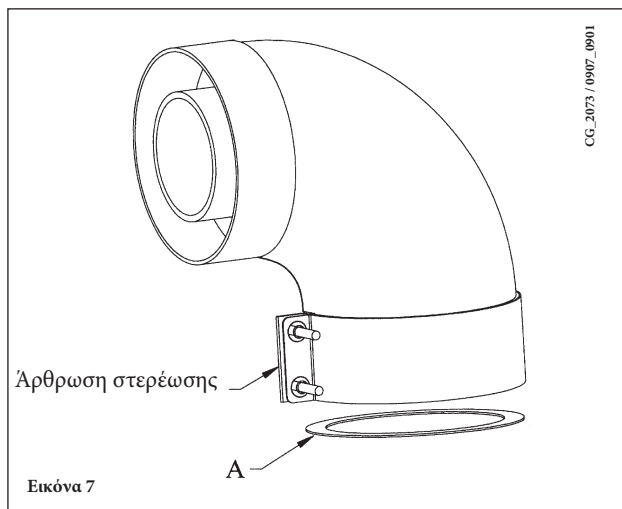


Εικόνα 6

### ... ΟΜΟΑΞΟΝΙΚΟΣ (ΟΜΟΚΕΝΤΡΙΚΟΣ) ΑΓΩΓΟΣ ΑΠΑΓΩΓΗΣ - ΑΝΑΡΡΟΦΗΣΗΣ

Ο αγωγός αυτού του τύπου επιτρέπει την απαγωγή των καυσαερίων και την αναρρόφηση του αέρα καύσης τόσο από το εξωτερικό του κτιρίου, όσο και από καπνοδόχους τύπου LAS.

Η ομοαξονική γωνία 90° επιτρέπει τη σύνδεση του λέβητα στους αγωγούς απαγωγής-αναρρόφησης προς οποιαδήποτε κατεύθυνση χάρη στη δυνατότητα περιστροφής κατά 360°. Επιπλέον, μπορεί να χρησιμοποιηθεί ως εφεδρική γωνία σε συνδυασμό με ομοαξονικό αγωγό ή με γωνία 45°.



Εικόνα 7

Σε περίπτωση απαγωγής στο εξωτερικό του κτιρίου ο αγωγός απαγωγής-αναρρόφησης πρέπει να εξέχει τουλάχιστον κατά 18 mm από τον τοίχο για να επιτρέπεται η τοποθέτηση ροζέτας αλουμινίου και το σφράγισμα της ώστε να αποφεύγεται η είσοδος νερού.

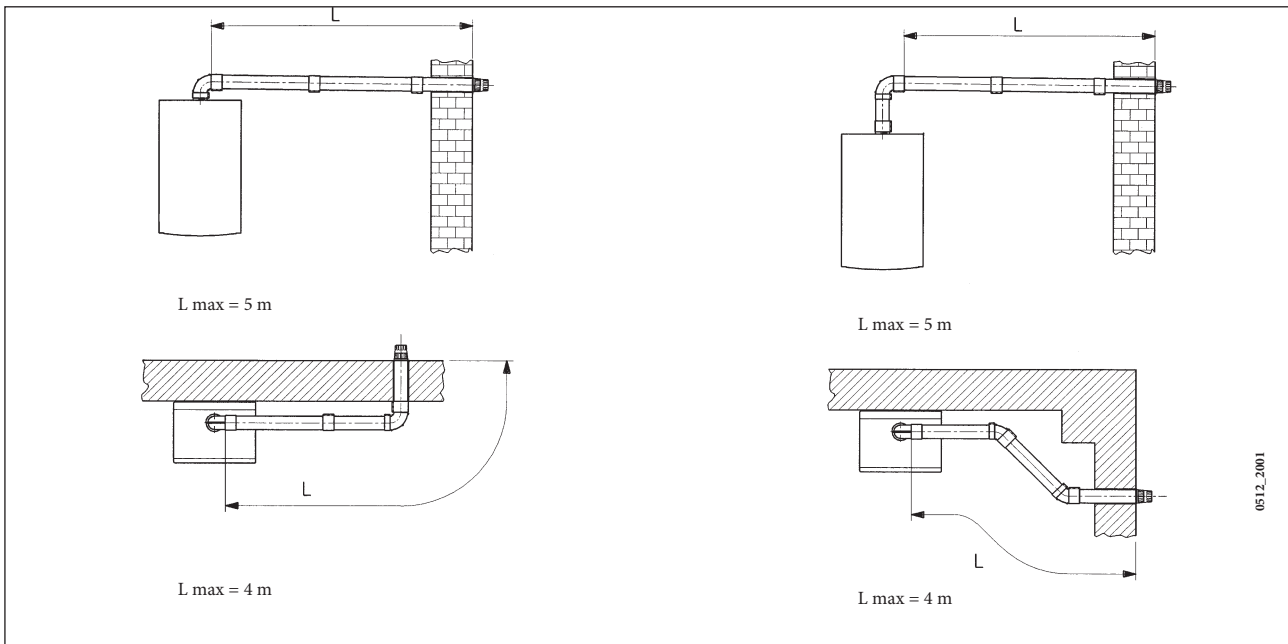
Η ελάχιστη κλίση προς τα έξω των αγωγών αυτών πρέπει να είναι 1 cm ανά μέτρο μήκους.

- Η εισαγωγή γωνίας 90° μειώνει το συνολικό μήκος του αγωγού κατά 1 μέτρο.
- Η εισαγωγή γωνίας 45° μειώνει το συνολικό μήκος του αγωγού κατά 0,5 μέτρο.

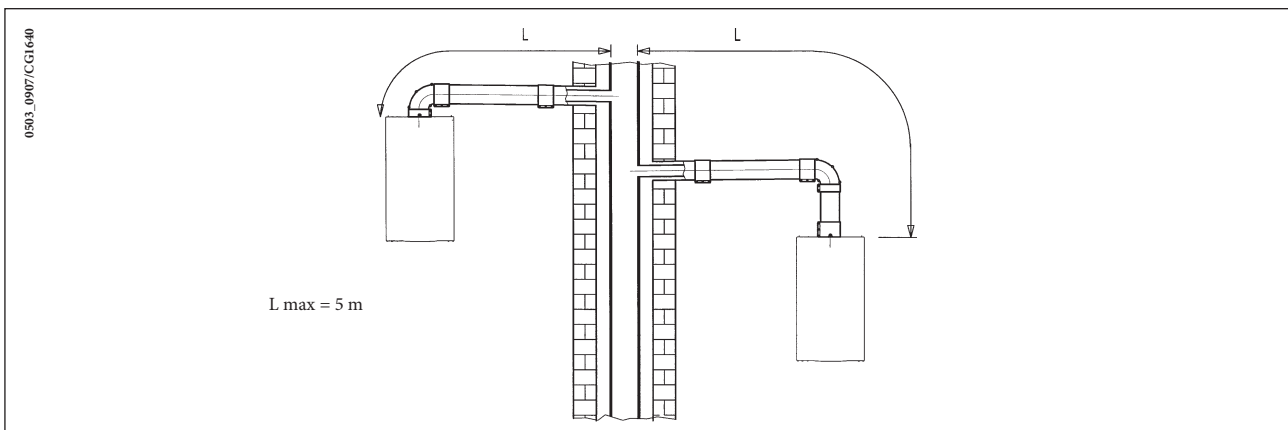
Η πρώτη γωνία 90° δεν υπεισέρχεται στον υπολογισμό του μέγιστου διαθέσιμου μήκους.

Μήκος (m)	ΜΠΕΚ ΕΙΣΟΔΟΥ
	τιμήματος απαγωγής καυσαερίων
0 ÷ 1	Ναι
1 ÷ 5	Όχι

## 16.1 ΠΑΡΑΔΕΙΓΜΑΤΑ ΕΓΚΑΤΑΣΤΑΣΗΣ ΜΕ ΟΡΙΖΟΝΤΙΟΥΣ ΑΓΩΓΟΥΣ

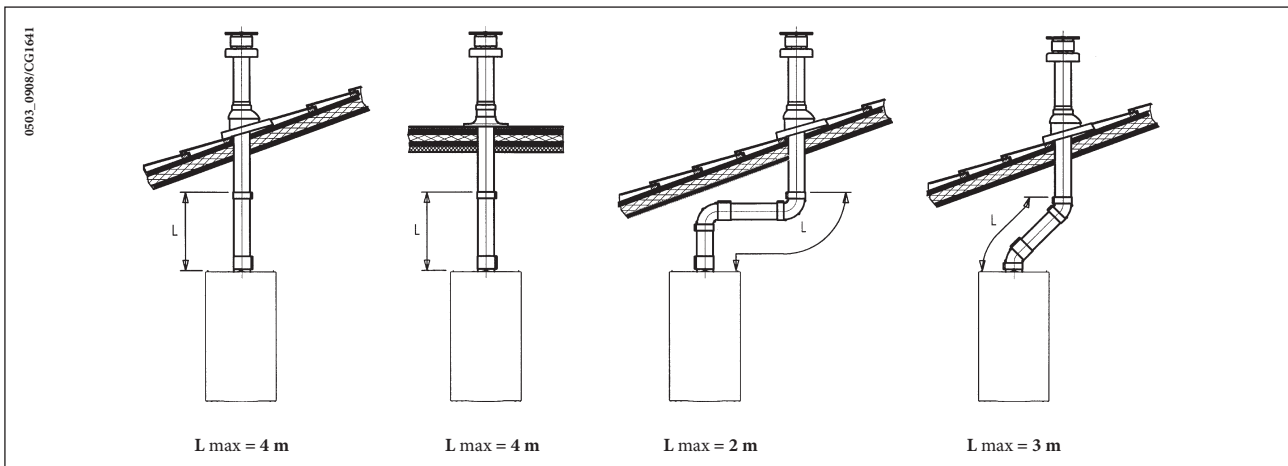


## 16.2 ΠΑΡΑΔΕΙΓΜΑΤΑ ΕΓΚΑΤΑΣΤΑΣΗΣ ΜΕ ΚΑΠΝΟΔΟΧΟΥΣ ΤΥΠΟΥ LAS



## 16.3 ΠΑΡΑΔΕΙΓΜΑΤΑ ΕΓΚΑΤΑΣΤΑΣΗΣ ΜΕ ΚΑΤΑΚΟΡΥΦΟΥΣ ΑΓΩΓΟΥΣ

Η εγκατάσταση μπορεί να γίνει είτε με κεκλιμένη, είτε με επίπεδη στέγη χρησιμοποιώντας το εξάρτημα καμινάδας και το ειδικό κεραμίδι με τσιμούχα που διατίθεται κατόπιν παραγγελίας.



Για πιο διεξοδικές πληροφορίες για τους τρόπους συναρμολόγησης των αξεσουάρ βλέπε τις τεχνικές πληροφορίες που συνοδεύουν τα ίδια τα αξεσουάρ.

### ... ΧΩΡΙΣΤΟΙ ΑΓΩΓΟΙ ΑΠΑΓΩΓΗΣ-ΑΝΑΡΡΟΦΗΣΗΣ

Ο αγωγός αυτού του τύπου επιτρέπει την απαγωγή των καυσαερίων τόσο στο εξωτερικό του κτιρίου, όσο και σε μεμονωμένες καπνοδόχους.

Η αναρρόφηση του αέρα καύσης μπορεί να γίνει σε διαφορετικές θέσεις από εκείνες της απαγωγής.

Το kit διαχωρισμού αποτελείται από ένα ρακόρ συστολής του αγωγού απαγωγής (100/80) και από ένα ρακόρ αναρρόφησης αέρα.

Η τσιμούχα και οι βίδες του ρακόρ αναρρόφησης αέρα που θα χρησιμοποιηθούν είναι αυτές που αφαιρέθηκαν προηγουμένως από το καπάκι.

(L1+L2)	Θέση ρυθμιστικού	ΜΠΕΚ ΕΙΣΟΔΟΥ τμήματος απαγωγής καυσαερίων Ⓐ	CO <sub>2</sub> %	
			G20	G31
0 ÷ 4	1	Όχι	6,4	7,4
4 ÷ 18	2			
18 ÷ 30	3			

*Η πρώτη γωνία 90° δεν υπεισέρχεται στον υπολογισμό του μέγιστου διαθέσιμου μήκους.*

Η γωνία 90° επιτρέπει τη σύνδεση του λέβητα στους αγωγούς απαγωγής και αναρρόφησης προς οποιαδήποτε κατεύθυνση χάρη στη δυνατότητα περιστροφής κατά 360°. Επιπλέον, μπορεί να χρησιμοποιηθεί ως εφεδρική γωνία σε συνδυασμό με τον αγωγό ή τη γωνία 45°.

- Η εισαγωγή γωνίας 90° μειώνει το συνολικό μήκος του αγωγού κατά 0,5 μέτρο.
- Η εισαγωγή γωνίας 45° μειώνει το συνολικό μήκος του αγωγού κατά 0,25 μέτρα.

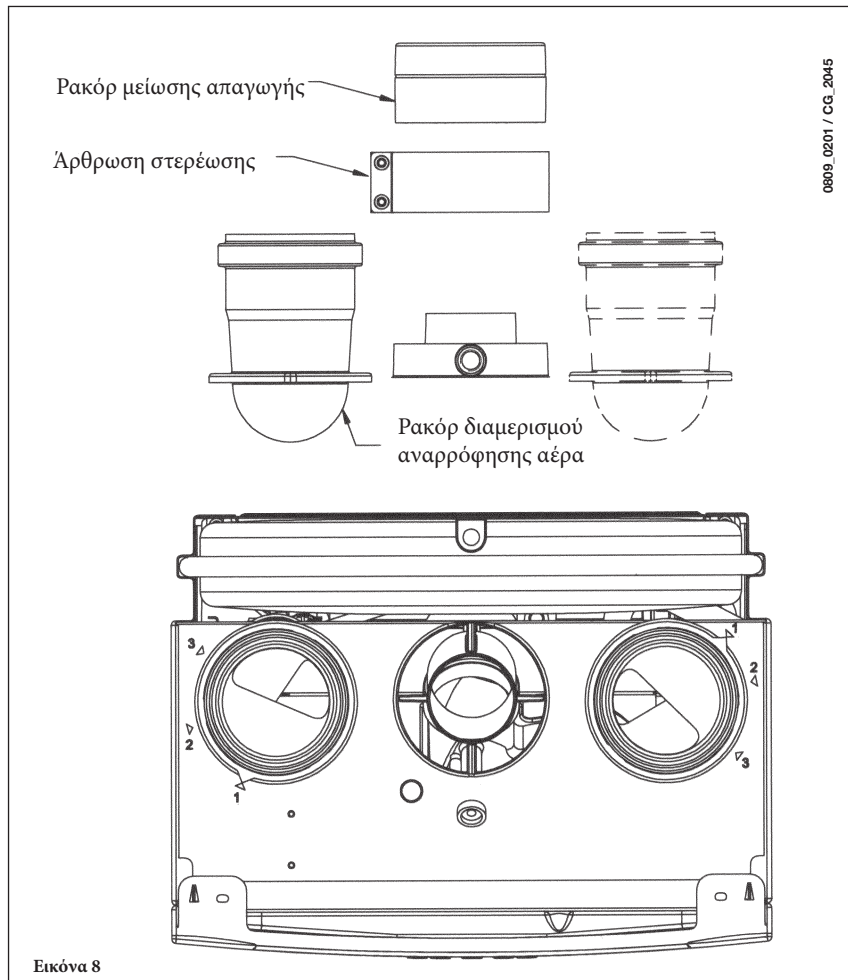
### Ρύθμιση αέρα για χωρισμένη απαγωγή

Η ρύθμιση του ρυθμιστή αυτού προκύπτει αναγκαία για τη βελτιστοποίηση της απόδοσης και των παραμέτρων της καύσης. Στρέφοντας το ρακόρ απορρόφησης αέρα, που μπορεί να είναι μονταρισμένο δεξιά ή αριστερά του αγωγού απαγωγής, ρυθμίζεται κατάλληλα η περίσσεια καύσιμου αέρα σε συνάρτηση με το ολικό μήκος των αγωγών απαγωγής και απορρόφησης του καύσιμου αέρα.

Στρέψτε τον ρυθμιστή αυτόν αριστερόστροφα για να μειώσετε την περίσσεια καύσιμου αέρα και αντίστροφα για να την αυξήσετε.

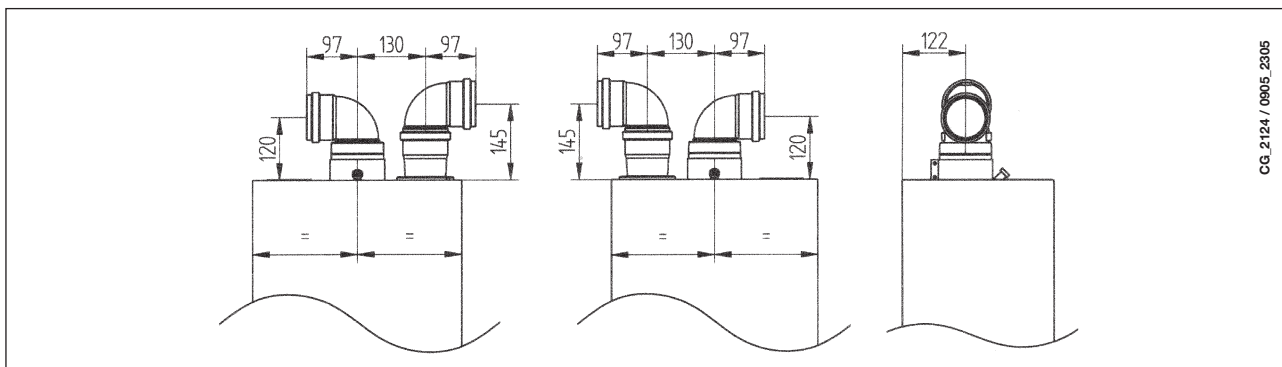
Για μεγαλύτερη βελτιστοποίηση μπορείτε να μετρήσετε, με τη χρήση ενός αναλυτή προϊόντων καύσης, την περιεκτικότητα CO<sub>2</sub> στα καυσαέρια στη μέγιστη θερμική παροχή, και ρυθμίστε βαθμιαία το ρυθμιστή αέρα μέχρι να καταγραφεί η περιεκτικότητα CO<sub>2</sub> που αναφέρεται στον ακόλουθο πίνακα, αν από την ανάλυση καταγραφεί μικρότερη τιμή.

Για τη σωστή συναρμολόγηση της διάταξης αυτής βλέπε επίσης και τις οδηγίες που συνοδεύουν το ίδιο το αξεσουάρ.



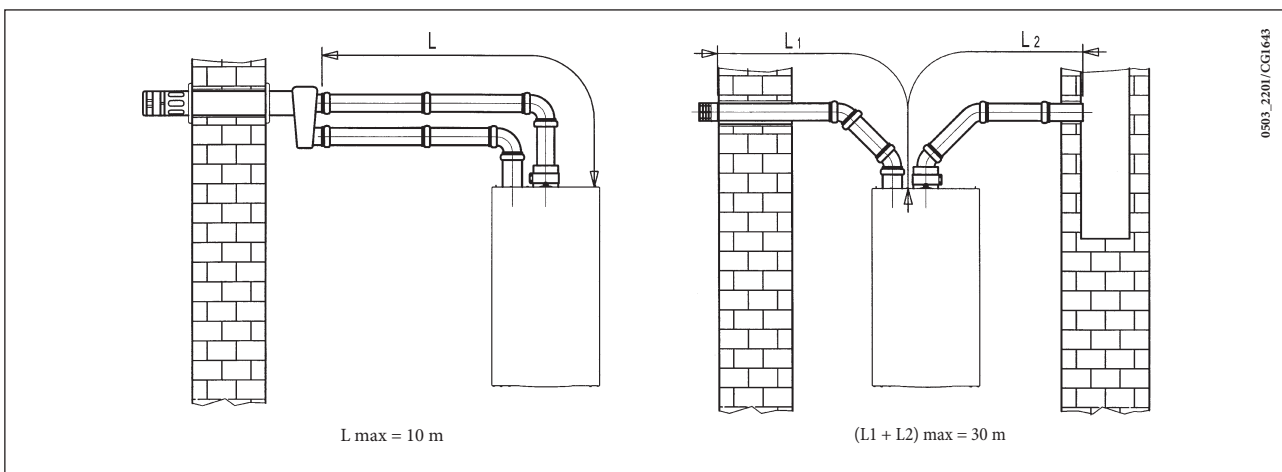
Εικόνα 8

## 16.4 ΟΓΚΟΣ ΧΩΡΙΣΤΩΝ ΑΠΑΓΩΓΩΝ



## 16.5 ΠΑΡΑΔΕΙΓΜΑΤΑ ΕΓΚΑΤΑΣΤΑΣΗΣ ΜΕ ΟΡΙΖΟΝΤΙΟΥΣ ΧΩΡΙΣΤΟΥΣ ΑΓΩΓΟΥΣ

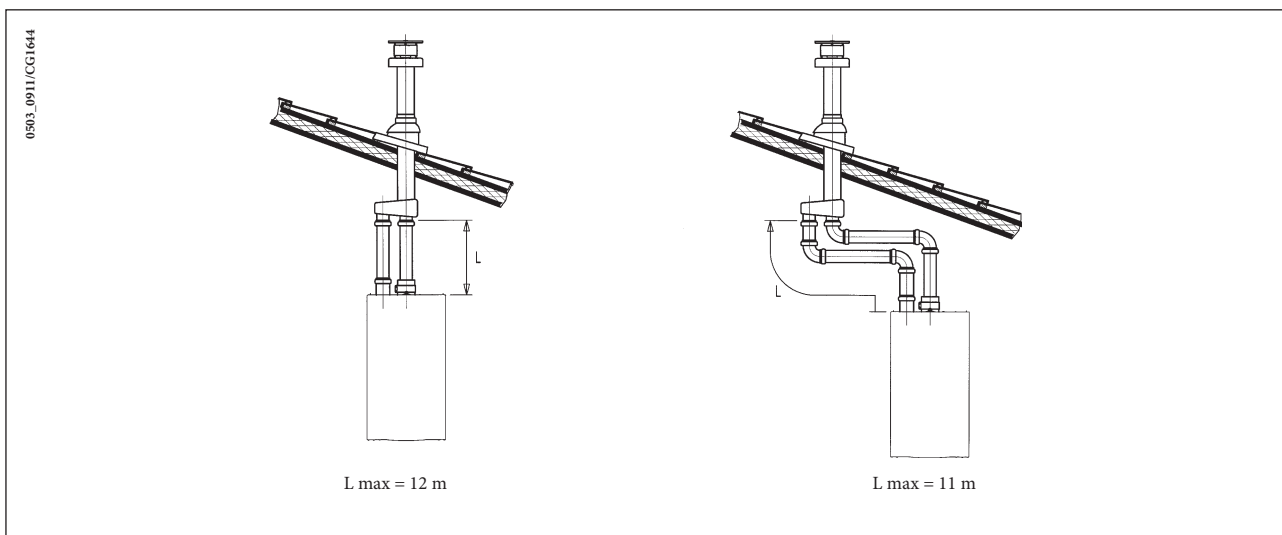
**ΣΗΜΑΝΤΙΚΟ** - Η ελάχιστη κλίση, προς τα έξω, του αγωγού απαγωγής πρέπει να είναι 1 cm ανά μέτρο μήκους. Σε περίπτωση εγκατάστασης του κιτ νεροπαγίδας η κλίση του αγωγού απαγωγής πρέπει να έχει κατεύθυνση προς το λέβητα.



**ΣΗΜ:** Στους τύπους C52, τα τερματικά αναρρόφησης αέρα καύσης και απαγωγής προϊόντων καύσης δεν πρέπει, ποτέ, να τοποθετούνται σε αντικριστούς τοίχους του κτιρίου. Το μέγιστο μήκος του αγωγού αναρρόφησης πρέπει να είναι 10 μέτρα.

Σε περίπτωση μήκους του αγωγού απαγωγής μεγαλύτερου των 6 μέτρων πρέπει να εγκαταστήσετε, πλησίον του λέβητα, το κιτ συλλογής συμπυκνώματος που παρέχεται ως αξεσουάρ.

## 16.6 ΠΑΡΑΔΕΙΓΜΑΤΑ ΕΓΚΑΤΑΣΤΑΣΗΣ ΜΕ ΚΑΤΑΚΟΡΥΦΟΥΣ ΧΩΡΙΣΤΟΥΣ ΑΓΩΓΟΥΣ



**ΣΗΜΑΝΤΙΚΟ:** ο ατομικός αγωγός για εκκένωση προϊόντων καύσης πρέπει να μονώνεται δεόντως, στα σημεία όπου ο ίδιος έρχεται σε επαφή με τους τοίχους της κατοικίας, με κατάλληλη μόνωση (παράδειγμα στρωματάκι από υαλοβάμβακα). Για πιο διεξοδικές πληροφορίες για τους τρόπους συναρμολόγησης των αξεσουάρ βλέπε τις τεχνικές πληροφορίες που συνοδεύουν τα ίδια τα αξεσουάρ.

## 17. ΗΛΕΚΤΡΙΚΗ ΣΥΝΔΕΣΗ

Η ηλεκτρική ασφάλεια της συσκευής επιτυγχάνεται μόνον όταν συνδεθεί σωστά σε αποτελεσματική εγκατάσταση γείωσης, σύμφωνα με τους ισχύοντες κανονισμούς ασφαλείας για τις εγκαταστάσεις.

Ο λέβητας πρέπει να συνδεθεί με μονοφασικό δίκτυο τροφοδοσίας 230 V μονοφασικά + γείωση μέσω του διατιθέμενου τριπολικού καλωδίου τηρώντας την πολικότητα ΓΡΑΜΜΗ-ΟΥΔΕΤΕΡΟ.

**Η σύνδεση πρέπει να γίνεται μέσω διπολικού διακόπτη με άνοιγμα επαφών τουλάχιστον 3 mm.**

Σε περίπτωση αντικατάστασης του ηλεκτρικού καλωδίου πρέπει να χρησιμοποιηθεί εναρμονισμένο καλώδιο "HAR H05 VV-F" 3x0,75 mm<sup>2</sup> με μέγιστη διάμετρο 8 mm.

...Πρόσβαση στη βάση ακροδεκτών τροφοδοσίας

- διακόψτε την τροφοδοσία του λέβητα μέσω του διπολικού διακόπτη
- ξεβιδώστε τις δύο βίδες στερέωσης του πίνακα χειριστηρίων στο λέβητα
- γυρίστε τον πίνακα χειριστηρίων
- βγάλτε το καπάκι για να αποκτήσετε πρόσβαση στις ηλεκτρικές συνδέσεις (εικόνα 9).

Η ασφάλεια ταχείας τήξεως των 2A είναι ενσωματωμένη στη βάση ακροδεκτών τροφοδοσίας (βγάλτε τη μαύρη ασφαλειοθήκη για τον έλεγχο ή την αντικατάσταση).

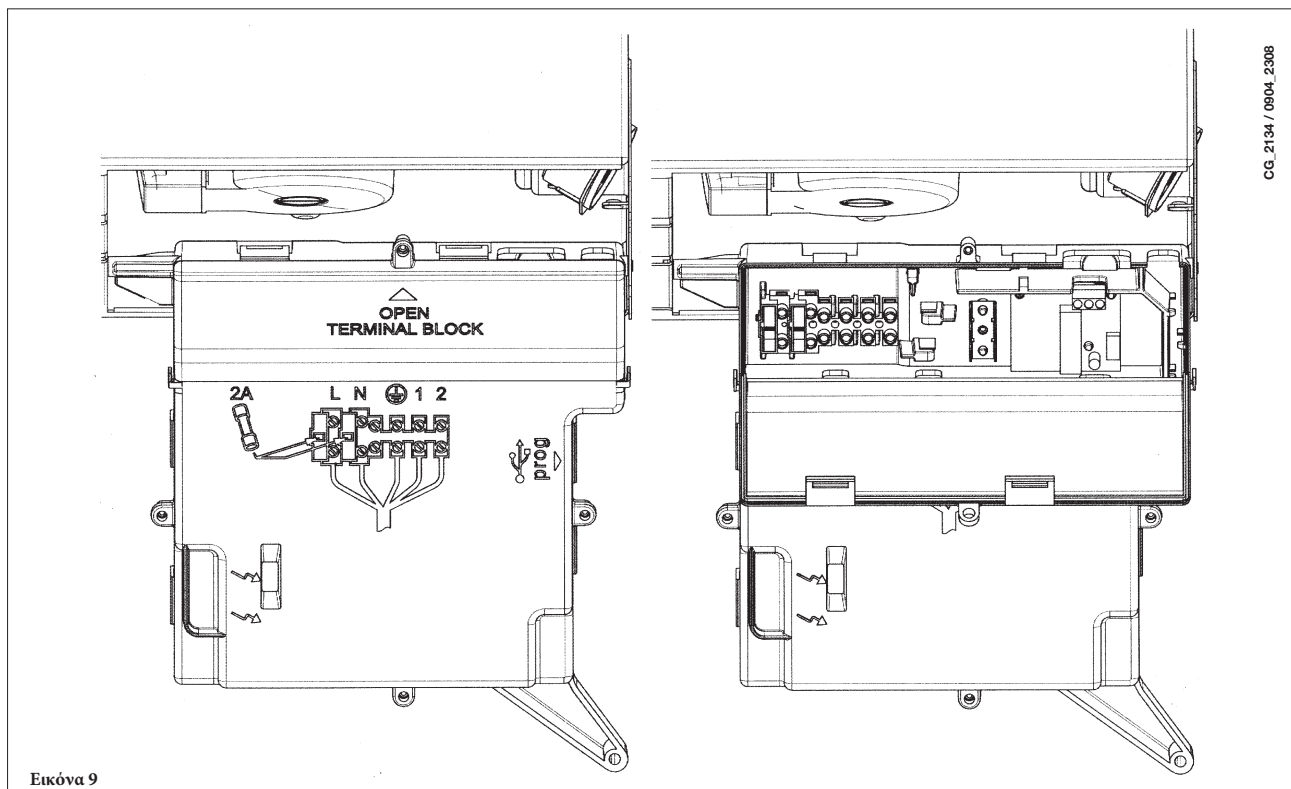
**ΣΗΜΑΝΤΙΚΟ:** τηρήστε την πολικότητα σε τροφοδοσία L (ΓΡΑΜΜΗ) - N (ΟΥΔΕΤΕΡΟ).

(L) = Γραμμή (καφέ)

(N) = Ουδέτερο (γαλανό)

(⊕) = Γείωση (κιτρινοπράσινο)

(1) (2) = Επαφή για θερμοστάτη περιβάλλοντος



## 18. ΣΥΝΔΕΣΗ ΤΟΥ ΘΕΡΜΟΣΤΑΤΗ ΔΩΜΑΤΙΟΥ

- ανοίξτε τη βάση ακροδεκτών τροφοδοσίας (εικόνα 9) όπως περιγράφεται στο προηγούμενο κεφάλαιο
- βγάλτε το βραχυκυκλωτήρα από τους ακροδέκτες (1) και (2)
- περάστε το διπολικό καλώδιο από τον οδηγό καλωδίου και συνδέστε το στους δύο ακροδέκτες.



## 19. ΤΡΟΠΟΣ ΑΛΛΑΓΗΣ ΑΕΡΙΟΥ

Ο λέβητας μπορεί να μετασχηματιστεί για τη χρήση με αέριο μεθάνιο (G.20) ή με υγραέριο (G.21) με τη βοήθεια της εξουσιοδοτημένης Τεχνικής Υποστήριξης.

Για το σκοπό αυτό απαιτούνται οι ακόλουθες ενέργειες:

- A) αντικατάσταση των μπεκ του κεντρικού καυστήρα
- B) αλλαγή τάσης στο διαμορφωτή.
- C) νέα ρύθμιση μέγιστου και ελάχιστου του ρυθμιστή πίεσης.

### A) Αντικατάσταση των μπεκ

- βγάλτε προσεκτικά τον κύριο καυστήρα από τη θέση του
- αντικαταστήστε τα μπεκ του κύριου καυστήρα φροντίζοντας να τα σφίξετε καλά για την αποφυγή διαρροών αερίου. Η διάμετρος των μπεκ ορίζεται στον πίνακα 2.

### B) Αλλαγή τάσης στο διαμορφωτή

- ρυθμίστε την παράμετρο F02 ανάλογα με τον τύπο του αερίου, όπως περιγράφεται στο κεφάλαιο 21;

### C) Βαθμονόμηση του ρυθμιστή πίεσης

- συνδέστε την είσοδο θετικής πίεσης ενός διαφορικού μανόμετρου, κατά προτίμηση νερού, στην παροχή πίεσης (Pb) της βαλβίδας αερίου (εικόνα 10). Συνδέστε, μόνο για τα μοντέλα με στεγανό θάλαμο, την είσοδο αρνητικής πίεσης του ίδιου μανόμετρου σε ειδικό "T" που επιτρέπει την ταυτόχρονη σύνδεση της ρυθμιστικής εξόδου του λέβητα, της ρυθμιστικής εξόδου της βαλβίδας αερίου (Pc) και του μανόμετρου. (Η ίδια μέτρηση μπορεί να γίνει συνδέοντας το μανόμετρο στην παροχή πίεσης (Pb) χωρίς το κάλυμμα πρόσοψης του στεγανού θαλάμου)

Από τη μέτρηση της πίεσης στους καυστήρες με διαφορετικές από τις προαναφερθείσες μεθόδους μπορεί να προκύψουν λανθασμένα αποτελέσματα, καθώς δε λαμβάνεται υπόψη η αρνητική αντίθλιψη η οποία δημιουργείται από τον ανεμιστήρα στο στεγανό θάλαμο.

#### C1) Ρύθμιση στην ονομαστική ισχύ:

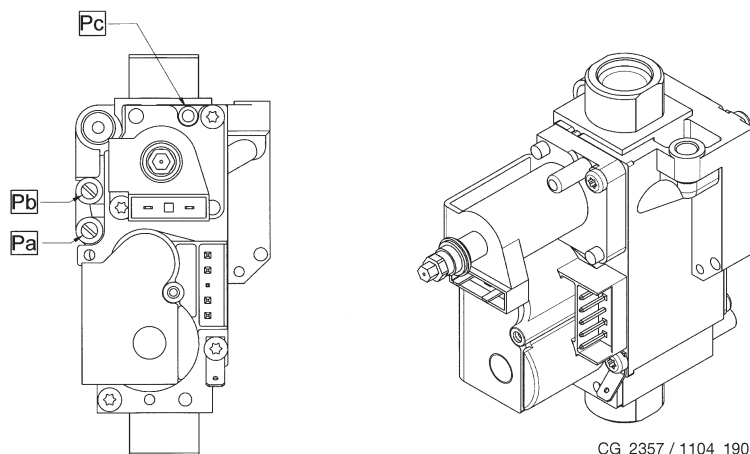
- ανοίξτε το ρουμπινέτο του αερίου και ρυθμίστε το λέβητα σε Χειμώνα
- ανοίξτε τη βάνα παροχής νερού οικιακής χρήσης σε θέση παροχής τουλάχιστον 10 λίτρων ανά λεπτό ή βεβαιωθείτε ότι πληρούνται οι μέγιστες απαιτήσεις θερμότητας.
- αφαιρέστε το καπάκι του διαμορφωτή
- Ρυθμίστε την προϋπάρχουσα βίδα (a) μέχρι να επιτευχθούν οι τιμές πίεσης που φαίνονται στον πίνακα 1.
- βεβαιωθείτε ότι η δυναμική πίεση τροφοδοσίας του λέβητα η οποία μετράται στην παροχή πίεσης (Pa) της βαλβίδας αερίου (εικόνα 10) είναι σωστή (37 mbar για προπάνιο ή 20 mbar για το φυσικό αέριο).

#### C2) Ρύθμιση στη μειωμένη ισχύ:

- Αποσυνδέστε το καλώδιο τροφοδοσίας του διαμορφωτή και ξεβιδώστε την βίδα (b) μέχρι να φτάσει την τιμή πίεσης που αντιστοιχεί στη μειωμένη ισχύ (βλέπε πίνακα 1)
- επανασυνδέστε το καλώδιο
- τοποθετήστε το καπάκι του διαμορφωτή και στεγανοποιήστε.

#### C3) Τελικοί έλεγχοι

- τοποθετήστε την πρόσθετη ετικέτα, που παρέχεται στη μετατροπή, όπου αναγράφεται ο τύπος του αερίου και η ρύθμιση που έγινε.



Εικόνα 10

CG\_2357 / 1104\_1901

## 19.1 ΛΕΙΤΟΥΡΓΙΑ ΒΑΘΜΟΝΟΜΗΣΗΣ ΤΗΣ ΒΑΛΒΙΔΑΣ ΑΕΡΙΟΥ

Για τη διευκόλυνση των εργασιών βαθμονόμησης της βαλβίδας αερίου, μπορείτε να θέσετε τη λειτουργία βαθμονόμησης απευθείας στον πίνακα χειρισμού του λέβητα προχωρώντας όπως περιγράφεται στη συνέχεια:

- Πιέστε ταυτόχρονα για τουλάχιστον 6 δευτερόλεπτα τα κουμπιά + και +;
- Μετά από περίπου 6 δευτερόλεπτα τα + αναβοσβήνουν;
- Η οθόνη απεικονίζει, με διάστημα 1 δευτερολέπτου, “100” και τη **θερμοκρασία παροχής**.  
Στη φάση αυτή ο λέβητας λειτουργεί στη μέγιστη ισχύ θέρμανσης (100%).
- Πιέζοντας τα κουμπιά +/- μπορείτε να θέσετε στιγμιαία (100% ή 0%) την ισχύ του λέβητα;
- Ρυθμίζεται το βιδωτό “Ρμέγ/Ρελάχ” (Πίνακας 10) μέχρι την αξία της πίεσης αναφέρεται στον πίνακα 1.

Για να ρυθμίσετε την πίεση στη μέγιστη ισχύ ενεργήστε στη βίδα “Pmax” (εικ. 10), στρέψτε δεξιόστροφα για να αυξήσετε ή αριστερόστροφα για να μειώσετε την πίεση στον καυστήρα.

Για να ρυθμίσετε την πίεση στην ελάχιστη ισχύ ενεργήστε στη βίδα “Pmin” (εικ. 10), στρέψτε αριστερόστροφα για να αυξήσετε ή δεξιόστροφα για να μειώσετε την πίεση στον καυστήρα.

- Πιέζοντας τα κουμπιά +/- μπορείτε να θέσετε βαθμιαία το επιθυμητό επίπεδο ισχύος (διάστημα = 1%).

Για να βγείτε από τη λειτουργία, πιέστε το κουμπί .

### Σημείωση

Η λειτουργία απενεργοποιείται αυτόματα μετά από χρόνο 15 λεπτών στο τέλος του οποίου η ηλεκτρονική κάρτα επιστρέφει στην κατάσταση λειτουργίας πριν την ενεργοποίηση της ίδιας της λειτουργίας ή στην επίτευξη της μέγιστης θετικής θερμοκρασίας.

## 19.2 ΤΡΟΠΟΠΟΙΗΣΗ ΠΑΡΑΜΕΤΡΩΝ

Η διαδικασία για πρόσβαση στις παραμέτρους είναι η ακόλουθη:

- πιέστε ταυτόχρονα τα κουμπιά - και - για περίπου 6 δευτερόλεπτα, στην οθόνη εμφανίζεται η ένδειξη “F01” που εναλλάσσεται με την θεμεσία τιμή;
- πιέστε τα κουμπιά +/- για να κυλήσει η λίστα των παραμέτρων;
- Για την αύξηση ή τη μείωση της τιμής της επιλεγείσας παραμέτρου, πιέστε αντίστοιχα τα κουμπιά +/- ;
- πιέστε το κουμπί για την αποθήκευση του προγραμματισμού των παραμέτρων που τέθηκαν (στην οθόνη εμφανίζεται για μερικά δευτερόλεπτα η ένδειξη “MEM”).
- πιέστε το κουμπί για να βγείτε χωρίς να αποθηκεύσετε από τον προγραμματισμό (στην οθόνη εμφανίζεται για μερικά δευτερόλεπτα η ένδειξη “ESC”).

## ΠΡΟΕΙΔΟΠΟΙΗΣΗ

Για την αλλαγή αερίου από G20 έως G31, τροποποιήστε τις παραμέτρους F02, F08, F09, F10 και F16 όπως αναφέρεται στον πίνακα της παραγράφου 21. Εφαρμόστε την πρόσθετη πινακίδα, που παρέχεται στο μετασχηματισμό με συγκεκριμένο τύπο αερίου και τη διενεργηθείσα βαθμονόμηση.

### Πίνακας μπεκ καυστήρα

Τύπος αερίου	G20	G31
Διάμετρος μπεκ (mm)	1,28	0,77
Πίεση καυστήρα (mbar*) <b>ΙΣΧΥΣ ΜΕΙΩΜΕΝΗ</b>	2,0	5,7
Πίεση καυστήρα (mbar*) <b>ΟΝΟΜΑΣΤΙΚΗ ΙΣΧΥΣ</b>	11,2	32,6
Αριθμός μπεκ	13	

\* 1 mbar = 10,197 mm H<sub>2</sub>O

Πίνακας 1

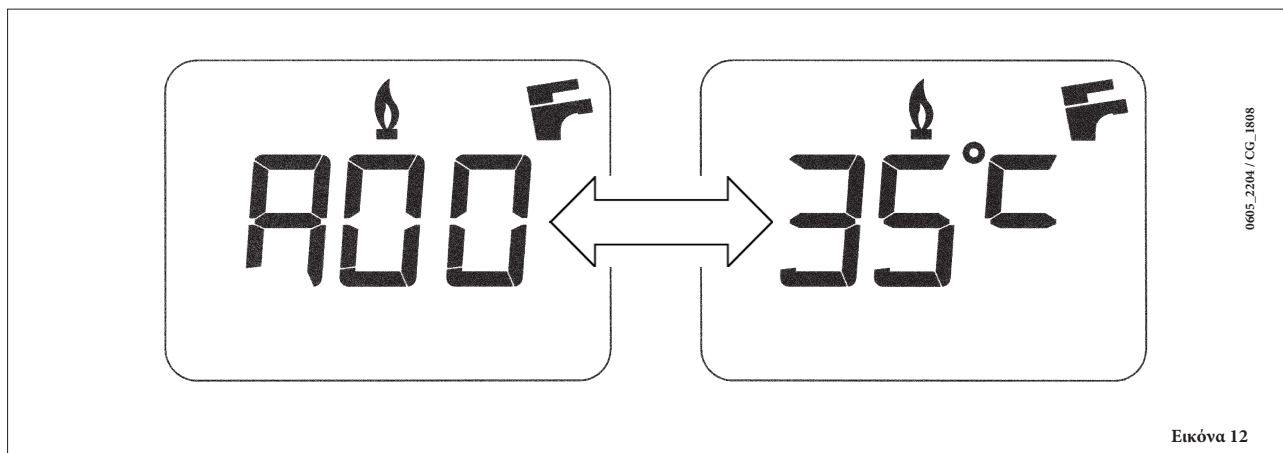
Κατανάλωση 15°C-1013 mbar	G20	G31
Ονομαστική ισχύς	2,73 m <sup>3</sup> /h	2,00 kg/h
Μειωμένη ισχύς	1,12 m <sup>3</sup> /h	0,82 kg/h
p.c.i.	34,02 MJ/m <sup>3</sup>	46,34 MJ/kg


Πίνακας 2

## 20. ΑΠΕΙΚΟΝΙΣΗ ΠΑΡΑΜΕΤΡΩΝ ΣΤΗΝ ΟΘΟΝΗ (ΛΕΙΤΟΥΡΓΙΑ «INFO»)

Πιέστε για τουλάχιστον 5 δευτερόλεπτα το κουμπί «i» για να απεικονιστούν στην οθόνη που βρίσκεται προσθίως του λέβητα μερικές πληροφορίες λειτουργίας του λέβητα.

**ΣΗΜΕΙΩΣΗ:** όταν η λειτουργία «INFO» είναι ενεργή, στην οθόνη (εικόνα 12) απεικονίζεται η ένδειξη «A00» που εναλλάσσεται στην απεικόνιση με την τιμή της θερμοκρασίας παροχής του λέβητα:





- Ενεργήστε στα κουμπιά  (+/-) για την απεικόνιση των ακόλουθων πληροφοριών:


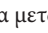
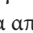

<b>A00:</b>	τιμή (°C) τρέχουσα της θερμοκρασίας νερού οικιακής χρήσης (A.C.S.)
<b>A01:</b>	τιμή (°C) τρέχουσα της εξωτερικής θερμοκρασίας (με εξωτερικό αισθητήρα συνδεδεμένο)
<b>A02:</b>	στιγμιαία τιμή (%) του σήματος ελέγχου της βαλβίδας του αερίου
<b>A03:</b>	τιμή (%) του range ισχύος (MAX R)
<b>A04:</b>	τιμή (°C) θερμοκρασίας του setpoint θέρμανσης
<b>A05:</b>	τιμή (°C) τρέχουσα της θερμοκρασίας παροχής θέρμανσης
<b>A06:</b>	τιμή (°C) θερμοκρασίας του setpoint ζεστού νερού οικιακής χρήσης
<b>A07:</b>	Δεν χρησιμοποιείται
<b>A08:</b>	Δεν χρησιμοποιείται
<b>A09:</b>	τελευταίο σφάλμα που έλαβε χώρα στο λέβητα.

- Η λειτουργία αυτή παραμένει ενεργή για χρόνο 3 λεπτών. Μπορείτε να διακόψετε εκ των προτέρων τη λειτουργία «INFO» πιέζοντας για τουλάχιστον 5 δευτερόλεπτα το κουμπί (i) ή διακόπτοντας την τάση στο λέβητα.

## 21. ΡΥΘΜΙΣΗ ΠΑΡΑΜΕΤΡΩΝ

Για να ρυθμίσετε τις παραμέτρους του λέβητα, πατήστε ταυτόχρονα το κουμπί (- ) και το κουμπί (- ) για τουλάχιστον 6 δευτερόλεπτα. Όταν η λειτουργία ενεργοποιηθεί, στην οθόνη εμφανίζεται η ένδειξη "F01" εναλλάξ με την τιμή της απεικονιζόμενης παραμέτρου.

### Τροποποίηση παραμέτρων

- Πατήστε τα κουμπιά (+/- ) για να μετακινηθείτε ανάμεσα στις παραμέτρους
- Πατήστε τα κουμπιά (+/- ) για να αλλάξετε την τιμή μιας παραμέτρου
- Πατήστε το κουμπί () για να αποθηκεύσετε την τιμή, στην οθόνη εμφανίζεται η ένδειξη "MEM"
- Πατήστε το κουμπί () για έξοδο από τη λειτουργία χωρίς αποθήκευση, στην οθόνη εμφανίζεται η ένδειξη "ESC".

	Περιγραφή παραμέτρων	Εργοστασιακές ρυθμίσεις
F01	Τύπος λέβητα 10 = στεγανός θάλαμος - 20 = θάλαμος ανοιχτός	10
F02	Τύπος χρησιμοποιούμενου αερίου 00 = G20 01 = G31	00 ο 01
F03	Υδραυλικό σύστημα	02
F04 F05	Ρύθμιση προγραμματιζόμενου ρελέ (Βλέπε οδηγίες Σέρβις) 00 = καμία συσχετισμένη λειτουργία	00
F06	Ρύθμιση μέγιστου setpoint (°C) θέρμανσης 00 = 76°C (Σβήσιμο καυστήρα σε 80°C) 01 = 45°C	00
F07	Διαμόρφωση εισόδου προτεραιότητας ζεστού νερού οικιακής χρήσης	02
F08	Μέγιστη ισχύς θέρμανσης (0-100%)	100
F09	Μέγιστη ισχύς ζεστού νερού οικιακής χρήσης (0-100%)	100
F10	Ελάχιστη ισχύς θέρμανσης (0-100%)	00
F11	Χρόνος αναμονής σε θέρμανση πριν από ένα νέο άναμμα (00-10 λεπτά) - 00=10 δευτερόλεπτα	03
F12	Διαγνωστική (Βλέπε οδηγίες Σέρβις)	--
F13	Τύπος εναλλάκτη 00 = 270 mm 01 = 225 mm	00
F14	Τεστ ελέγχου σωστής θέσης αισθητήρα νερού οικιακής χρήσης 00 = Απενεργοποιημένο 01 = Πάντα ενεργό	00
F15	Καθορισμός των πλοίων-εργοστασίων	00
F16...F17	Πληροφορίες παραγωγού --- Δεν χρησιμοποιείται	00

## 22. ΔΙΑΤΑΞΕΙΣ ΡΥΘΜΙΣΗΣ ΚΑΙ ΑΣΦΑΛΕΙΑΣ

Ο λέβητας κατασκευάζεται για να ικανοποιεί όλες τις προδιαγραφές των ευρωπαϊκών προτύπων αναφοράς, ειδικότερα διαθέτει:

### • Πιεζοστάτη αέρα

Η διάταξη αυτή επιτρέπει το άναμμα του καυστήρα μόνο σε περίπτωση τέλει αποτελεσματικότητας του κυκλώματος απαγωγής των καπνών.

Παρουσία κάποιας εκ των κατωτέρω ανωμαλιών:

- τερματικό εκκένωσης εμφραγμένο
- venturi εμφραγμένο
- ανεμιστήρας μπλοκαρισμένος
- σύνδεση venturi – πιεζοστάτης αποσυνδεδεμένος

ο λέβητας παραμένει εν αναμονή επισημαίνοντας τον κωδικό σφάλματος E03 (βλέπε πίνακα παραγράφου 10).

### • Θερμοστάτης ασφαλείας

Το σύστημα αυτό, ο αισθητήρας του οποίου βρίσκεται στην κατάθλιψη της θέρμανσης, διακόπτει τη ροή του αερίου στον καυστήρα σε περίπτωση υπερθέρμανσης του νερού στο πρωτεύον κύκλωμα. Στις συνθήκες αυτές, ο λέβητας τίθεται σε κατάσταση εμπλοκής και μόνο μετά την εξουδετέρωση της αιτίας επέμβασης μπορείτε να επαναλάβετε το άναμμα πιέζοντας το κουμπί (R), για τουλάχιστον 2 δευτερόλεπτα.

---

Απαγορεύεται να θέτετε εκτός λειτουργίας αυτή τη διάταξη ασφαλείας

---

### • Ανιχνευτής ιονισμού φλόγας

Το ηλεκτρόδιο ανίχνευσης, που βρίσκεται στο δεξί μέρος του καυστήρα, εγγυάται την ασφάλεια σε περίπτωση διακοπής της παροχής αερίου ή ατελούς εσωτερικής ανάφλεξης του καυστήρα.

Στις συνθήκες αυτές ο λέβητας τίθεται σε κατάσταση εμπλοκής μετά από 3 προσπάθειες.

Για την αποκατάσταση των ομαλών συνθηκών λειτουργίας, πρέπει να πιέσετε το κουμπί (R), για τουλάχιστον 2 δευτερόλεπτα.

### • Υδραυλικός πιεζοστάτης

Το σύστημα αυτό επιτρέπει το άναμμα του κύριου καυστήρα μόνον εάν η πίεση της εγκατάστασης είναι μεγαλύτερη των 0,5 bar.

### • Μετακυκλοφορία αντλίας κυκλώματος θέρμανσης

Η μετακυκλοφορία της αντλίας, που επιτυγχάνεται ηλεκτρονικά, έχει διάρκεια 180 δευτερολέπτων και ενεργοποιείται στη λειτουργία θέρμανσης, μετά το σβήσιμο του καυστήρα λόγω της επέμβασης του θερμοστάτη δωματίου.

### • Μετακυκλοφορία αντλίας κυκλώματος ζεστού νερού οικιακής χρήσης

Η μετακυκλοφορία της αντλίας, που επιτυγχάνεται ηλεκτρονικά, έχει διάρκεια 30 δευτερολέπτων και ενεργοποιείται στη λειτουργία ζεστού νερού οικιακής χρήσης, μετά το σβήσιμο του καυστήρα λόγω της επέμβασης του αισθητήρα.

### • Σύστημα αντιπαγωτικής προστασίας (κύκλωμα θέρμανσης)

Η ηλεκτρονική διαχείριση του λέβητα είναι εφοδιασμένη με “αντιπαγωτική” προστασία στη λειτουργία θέρμανσης ώστε με θερμοκρασία κατάθλιψης μικρότερης των 5 °C να τίθεται σε λειτουργία ο καυστήρας μέχρι η θερμοκρασία κατάθλιψης να φθάσει περίπου τους 30 °C.

Αυτή η λειτουργία είναι ενεργή εάν ο λέβητας τροφοδοτείται με ηλεκτρισμό, εάν υπάρχει αέριο και εάν η πίεση της εγκατάστασης είναι η προκαθορισμένη.

### • Απουσία κυκλοφορίας νερού στο πρωτεύον κύκλωμα (πιθανώς αντλία μπλοκαρισμένη)

Σε περίπτωση απουσίας ή ανεπαρκούς κυκλοφορίας νερού στο πρωτεύον κύκλωμα, ο λέβητας μπλοκάρει επισημαίνοντας τον κωδικό σφάλματος E25 (παράγραφος 10).

### • Λειτουργία αντί-μπλοκαρίσματος αντλίας

Σε περίπτωση που δεν υπάρχει αίτημα θερμότητας, σε λειτουργία θέρμανσης, για χρονικό διάστημα 24 συνεχών ωρών, η αντλία τίθεται αυτόματα σε λειτουργία για 10 δευτερόλεπτα.

Αυτή η λειτουργία είναι ενεργή εάν ο λέβητας τροφοδοτείται με ηλεκτρισμό.

### • Υδραυλική βαλβίδα ασφαλείας (κύκλωμα θέρμανσης)

Η διάταξη αυτή, βαθμονομημένη σε 3 bar, εξυπηρετεί το κύκλωμα θέρμανσης.

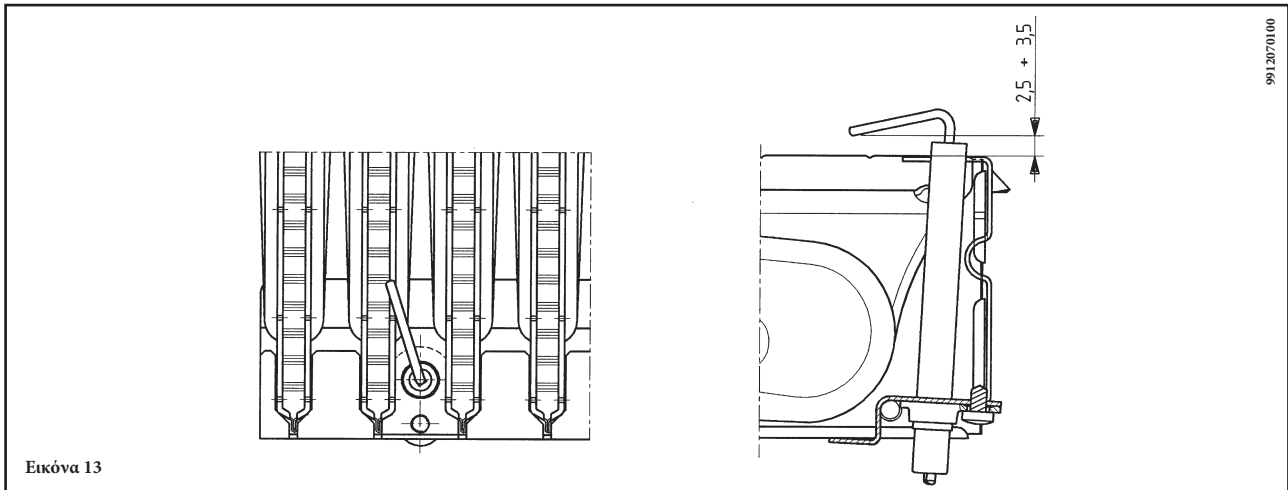
---

Συνιστάται η σύνδεση της βαλβίδας ασφαλείας σε αποχέτευση με σιφόνι. Απαγορεύεται η χρήση της ως μέσου αποστράγγισης του κυκλώματος θέρμανσης.

---

**ΣΗΜΕΙΩΣΗ:** αν χαλάσει ο αισθητήρας NTC του κυκλώματος ζεστού νερού οικιακής χρήσης, η παραγωγή ζεστού νερού είναι εξασφαλισμένη. Στην περίπτωση αυτή ο έλεγχος της θερμοκρασίας γίνεται μέσω των αισθητήρων παροχής.

## 23. ΤΟΠΟΘΕΤΗΣΗ ΗΛΕΚΤΡΟΔΙΟΥ ΑΝΑΦΛΕΞΗΣ ΚΑΙ ΑΝΙΧΝΕΥΣΗΣ ΦΛΟΓΑΣ



## 24. ΕΛΕΓΧΟΣ ΤΩΝ ΠΑΡΑΜΕΤΡΩΝ ΚΑΥΣΗΣ

Για την επιτόπου μέτρηση της απόδοσης καύσης και της υγιεινής των καυσαερίων ο λέβητας διαθέτει δύο υποδοχές που προορίζονται για το συγκεκριμένο σκοπό.

Η μία παροχή είναι συνδεδεμένη στο κύκλωμα απαγωγής των καυσαερίων και επιτρέπει μετρήσεις για την υγιεινή των καυσαερίων και την απόδοση της καύσης.

Η άλλη παροχή είναι συνδεδεμένη στο κύκλωμα αναρρόφησης του αέρα καύσης και επιτρέπει τον έλεγχο ενδεχόμενης ανακύκλωσης των προϊόντων της καύσης σε περίπτωση ομοαξονικών αγωγών.

Από την παροχή που είναι συνδεδεμένη με το κύκλωμα καυσαερίων μπορούν να μετρηθούν οι ακόλουθες παράμετροι:

- θερμοκρασία προϊόντων της καύσης
- συγκέντρωση οξυγόνου ( $O_2$ ) ή, εναλλακτικά, διοξειδίου του άνθρακα ( $CO_2$ ).
- συγκέντρωση μονοξειδίου του άνθρακα (CO).

Η θερμοκρασία του αέρα καύσης πρέπει να μετράται από την παροχή που είναι συνδεδεμένη στο κύκλωμα αναρρόφησης του αέρα, εισάγοντας τον αισθητήρα μέτρησης για περίπου 3 cm.

**ΣΗΜΕΙΩΣΗ:** για τη ρύθμιση της ονομαστικής ισχύος βλέπε κεφάλαιο 19 (C)

Για τα μοντέλα λέβητα φυσικού ελκυσμού είναι αναγκαία η διάνοιξη οπής στον αγωγό απαγωγής καυσαερίων σε απόσταση από το λέβητα 2 φορές μεγαλύτερη από την εσωτερική διάμετρο του αγωγού.

Μέσω της οπής αυτής μπορούν να μετρηθούν οι ακόλουθες παράμετροι:

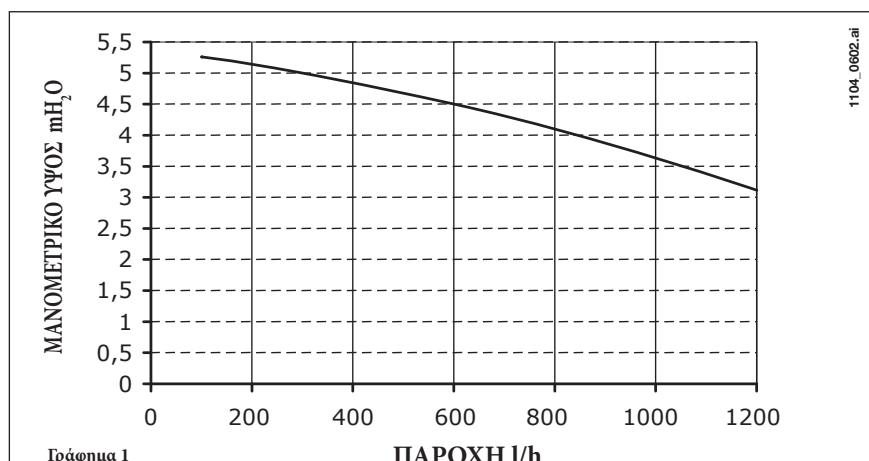
- θερμοκρασία προϊόντων της καύσης
- συγκέντρωση οξυγόνου ( $O_2$ ) ή, εναλλακτικά, διοξειδίου του άνθρακα ( $CO_2$ ).
- συγκέντρωση μονοξειδίου του άνθρακα (CO).

Η μέτρηση της θερμοκρασίας του αέρα καύσης πρέπει να γίνεται κοντά στην είσοδο του αέρα στο λέβητα.


Η οπή, η διάνοιξη της οποίας πρέπει να γίνει από τον υπεύθυνο εγκατάστασης κατά την πρώτη θέση σε λειτουργία, πρέπει να είναι κλειστή έτσι ώστε να εξασφαλίζεται η στεγανότητα του αγωγού απαγωγής των προϊόντων της καύσης κατά τη διάρκεια της ομαλής λειτουργίας.

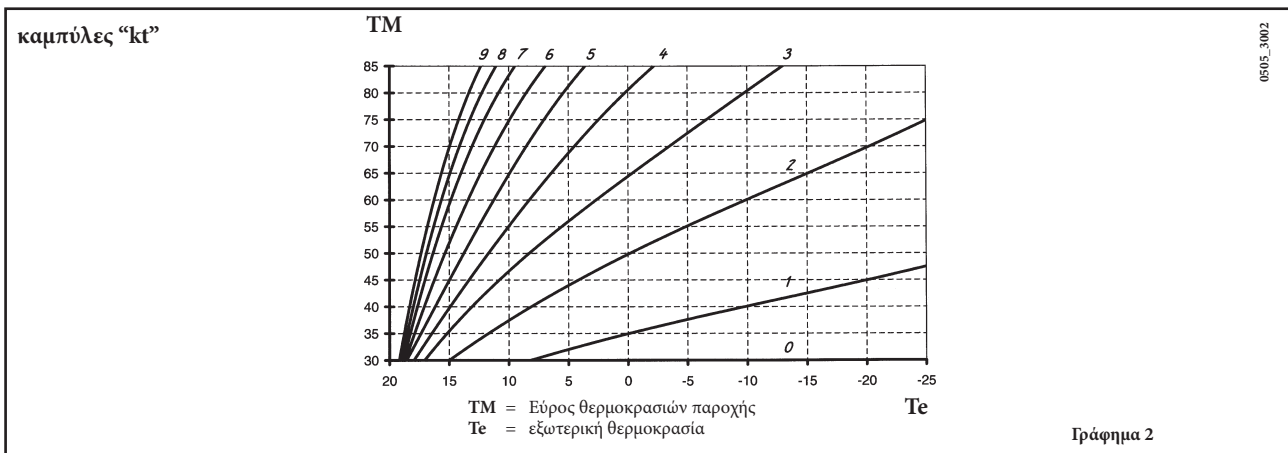
## 25. ΕΠΙΔΟΣΕΙΣ ΠΑΡΟΧΗΣ / ΜΑΝΟΜΕΤΡΙΚΟΥ ΎΨΟΥΣ ΣΤΗΝ ΠΛΑΚΑ

Η χρησιμοποιούμενη αντλία είναι υψηλού μανομετρικού ύψους, κατάλληλη για χρήση σε όλους τους τύπους μονοσωλήνιας ή δισωλήνιας εγκατάστασης θέρμανσης. Η αυτόματη βαλβίδα εξαερισμού είναι ενσωματωμένη στο σώμα της αντλίας και επιτρέπει το γρήγορο εξαερισμό της εγκατάστασης θέρμανσης.



## 26. ΣΥΝΔΕΣΗ ΤΟΥ ΕΞΩΤΕΡΙΚΟΥ ΑΙΣΘΗΤΗΡΑ

Στην καλωδίωση που εξέρχεται από το ταμπλό, υπάρχουν δύο καλώδια χρώματος ΚΟΚΚΙΝΟΥ που διαθέτουν σώματα- faston κεφαλής. Συνδέστε τον εξωτερικό αισθητήρα στα άκρα αυτών των δύο καλωδίων.  
Με εξωτερικό αισθητήρα συνδεδεμένο μπορείτε να αλλάξετε την καμπύλη “kt” (Γράφημα 1) ενεργώντας στα κουμπιά +/- .



## 27. ΕΤΗΣΙΑ ΣΥΝΤΗΡΗΣΗ

Για τη διασφάλιση βέλτιστης αποτελεσματικότητας του λέβητα πρέπει να διενεργείτε ετησίως τους ακόλουθους ελέγχους:

- Έλεγχος της όψης και της αντοχής των τιμονιών του κυκλώματος αερίου και του κυκλώματος καύσης.
- Έλεγχος της κατάστασης και της σωστής θέσης των ηλεκτροδίων ανάφλεξης και καταγραφής φλόγας.
- Έλεγχος της κατάστασης του καυστήρα και της στερέωσής του.
- Έλεγχος για ενδεχόμενες ακαθαρσίες στο εσωτερικό του θαλάμου καύσης. Για το σκοπό αυτό χρησιμοποιήστε μια ηλεκτρική σκούπα για τον καθαρισμό.
- Έλεγχος της σωστής βαθμονόμησης της βαλβίδας αερίου.
- Έλεγχος της πίεσης του συστήματος θέρμανσης.
- Έλεγχος της πίεσης του δοχείου εκτόνωσης.
- Έλεγχος της σωστής λειτουργίας του ανεμιστήρα.
- Έλεγχος για το αν είναι εμφραγμένοι οι αγωγοί αποστράγγισης και αναρρόφησης.

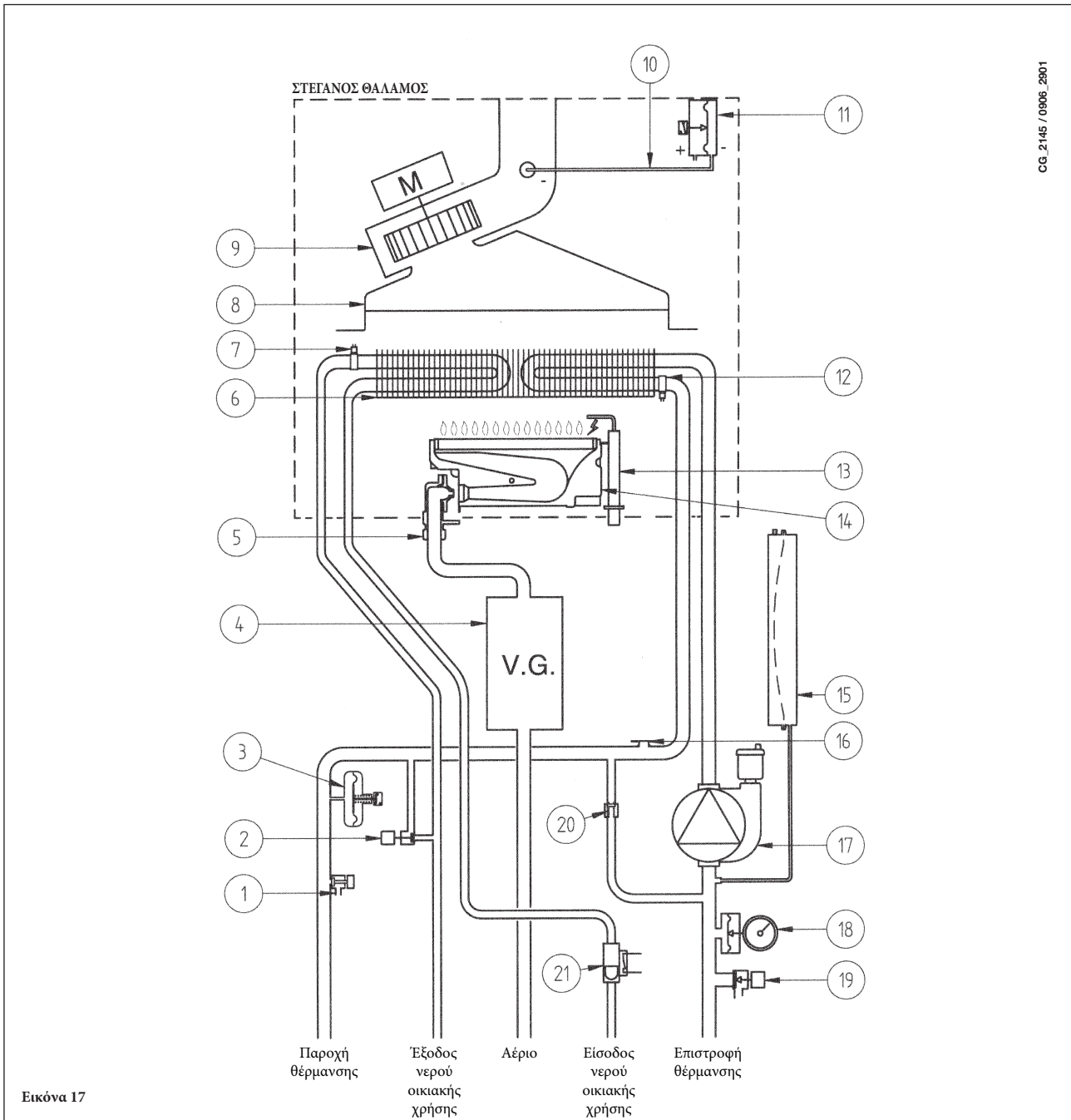
### ΠΡΟΕΙΔΟΠΟΙΗΣΕΙΣ

Πριν από οποιαδήποτε επέμβαση, βεβαιωθείτε ότι ο λέβητας δεν τροφοδοτείται ηλεκτρικά.

Αφού τελειώσουν οι εργασίες συντήρησης, επαναφέρετε τους επιλογείς ή/και τις παραμέτρους λειτουργίας του λέβητα στις αρχικές θέσεις.



## 28. ΛΕΙΤΟΥΡΓΙΚΟ ΣΧΕΔΙΟ ΚΥΚΛΩΜΑΤΩΝ



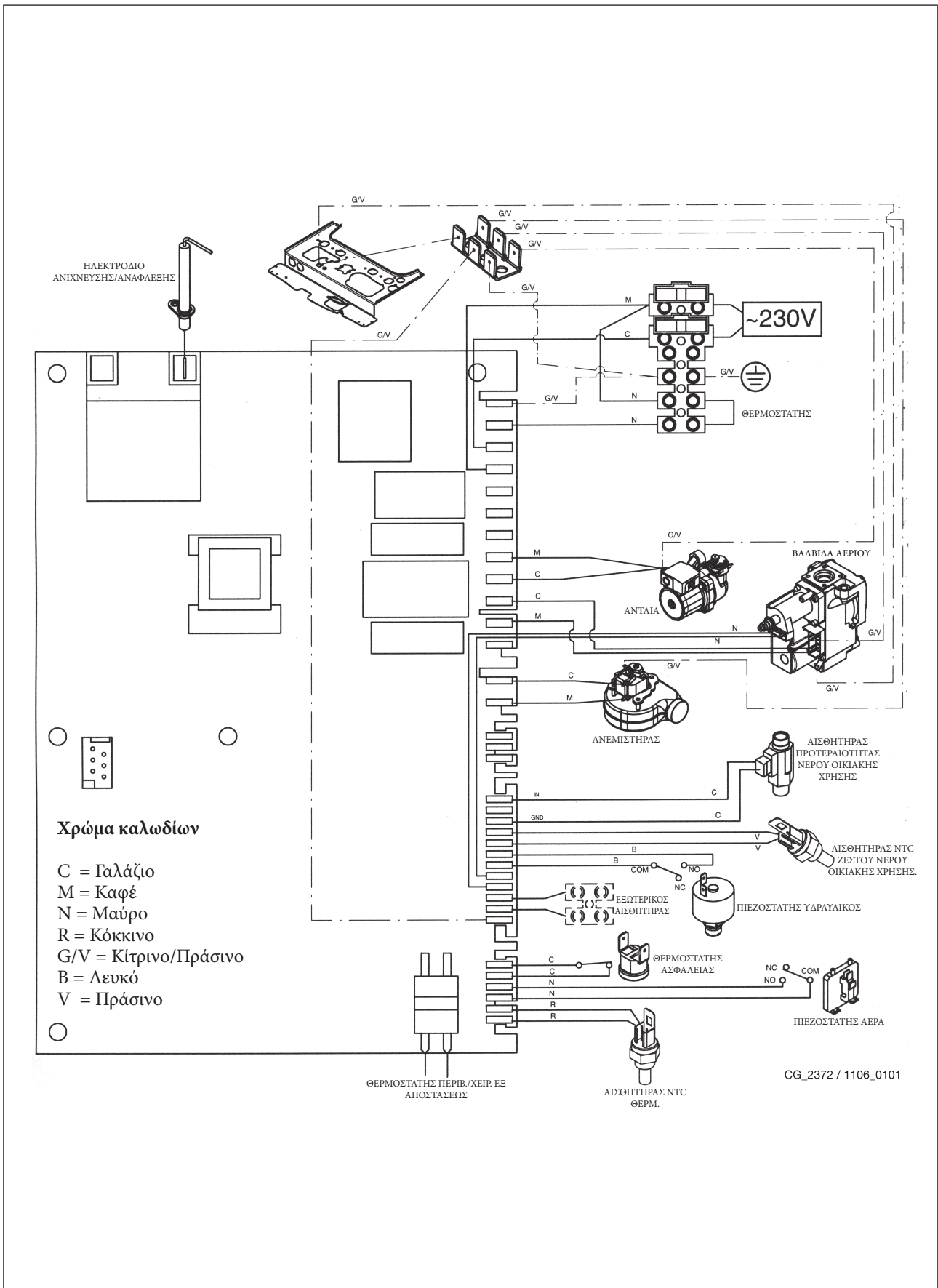
CG\_2145 / 0906\_2801

### Υπόμνημα:

- |    |                                      |    |  |
|----|--------------------------------------|----|--|
| 1  | Στρόφιγγα αποστράγγισης λέβητα       | 12 | Αισθητήρας NTC θέρμανσης                       |
| 2  | Στρόφιγγα εφοδιασμού λέβητα          | 13 | Ηλεκτρόδιο ανάφλεξης/ανίχνευσης φλόγας         |
| 3  | Υδραυλικός πρεσοστάτης               | 14 | Καυστήρας                                      |
| 4  | Βαλβίδα αερίου                       | 15 | Δοχείο εκτόνωσης                               |
| 5  | Ράμπα αερίου με ακροφύσια            | 16 | Θερμοστάτης ασφαλείας                          |
| 6  | Εναλλάκτης νερού-καυσαερίων          | 17 | Αντλία με διαχωριστή αέρα                      |
| 7  | Αισθητήρας NTC νερού οικιακής χρήσης | 18 | Μανόμετρο                                      |
| 8  | Συλλέκτης καπνών                     | 19 | Βαλβίδα ασφαλείας                              |
| 9  | Ανεμιστήρας                          | 20 | Αυτόματο by-pass                               |
| 10 | Υποδοχή αρνητικής πίεσης             | 21 | Αισθητήρας προτεραιότητα νερού οικιακής χρήσης |
| 11 | Πρεσοστάτης αέρα                     |    |  |



# 29. ΣΧΕΔΙΟ ΣΥΝΔΕΣΗΣ ΣΥΝΔΕΣΜΩΝ



## 30. ΤΕΧΝΙΚΑ ΧΑΡΑΚΤΗΡΙΣΤΙΚΑ

### Μοντέλο MAINFOUR 240F

Κατηγορία		Π <sub>2H3P</sub>	
Ονομαστική θερμική παροχή	kW	25,8	
Μειωμένη θερμική παροχή	kW	10,6	
Ονομαστική θερμική ισχύς	kW	24	
	kcal/h	20.600	
Μειωμένη θερμική ισχύς	kW	9,3	
	kcal/h	8.000	
Απόδοση σύμφωνα με την οδηγία 92/42/ΕΟΚ	—	★★★	
Μέγιστη πίεση νερού θερμικού κυκλώματος	bar	3	
Χωρητικότητα δοχείου εκτόνωσης	l	6	
Πίεση του δοχείου εκτόνωσης	bar	1	
Μέγιστη πίεση νερού κυκλώματος ζεστού νερού	bar	8	
Ελάχιστη δυναμική πίεση κυκλώματος ζεστού νερού	bar	0,15	
Ελάχιστη παροχή νερού οικιακής χρήσης	l/min	2,0	
Παραγωγή ζεστού νερού οικιακής χρήσης με Δt = 25 °C	l/min	13,7	
Παραγωγή ζεστού νερού οικιακής χρήσης με Δt = 35 °C	l/min	9,8	
Ειδική παροχή (*)	l/min	11	
Range θερμοκρασίας κυκλώματος θέρμανσης	°C	30/76	
Range θερμοκρασίας ζεστού νερού οικιακής χρήσης	°C	35/55	
Τύπος	—	C12-C32-C42-C52-C82-B22	
Διάμετρος ομόκεντρου αγωγού απαγωγής	mm	60	
Διάμετρος ομόκεντρου αγωγού αναρρόφησης	mm	100	
Διάμετρος διχοτομημένου αγωγού απαγωγής	mm	80	
Διάμετρος διχοτομημένου αγωγού αναρρόφησης	mm	80	
Διάμετρος αγωγού εκκένωσης	mm	-	
Μέγιστη παροχή μάζας καπνών	kg/s	0,016	
Ελάχιστη παροχή μάζας καπνών	kg/s	0,016	
Μέγιστη θερμοκρασία καπνών	°C	149	
Ελάχιστη θερμοκρασία καπνών	°C	119	
Κατηγορία NOx	—	3	
Τύπος αερίου	—	G20	
	—	G31	
Πίεση τροφοδοσίας αερίου μεθανίου	mbar	20	
Πίεση τροφοδοσίας αερίου προπανίου	mbar	37	
Τάση ηλεκτρικής τροφοδοσίας	V	230	
Συχνότητα ηλεκτρικής τροφοδοσίας	Hz	50	
Ονομαστική ηλεκτρική ισχύς	W	130	
Καθαρό βάρος	kg	31	
Διαστάσεις	Ύψος	mm	730
	Πλάτος	mm	400
	Βάθος	mm	299
Βαθμός προστασίας κατά της υγρασίας και της διείσδυσης νερού (**)			IP X5D

(\*) σύμφωνα με EN 625

(\*\*) σύμφωνα με EN 60529

Η ΒΑΧΙ, στα πλαίσια της δέσμευσής της για συνεχή βελτίωση των προϊόντων της, διατηρεί τη δυνατότητα να τροποποιεί τα δεδομένα που αναφέρονται στην τεκμηρίωση αυτή οποιαδήποτε στιγμή και χωρίς προηγούμενη ειδοποίηση. Η παρούσα τεκμηρίωση είναι για πληροφοριακή υποστήριξη και δεν θεωρείται ως συμβόλαιο με τρίτο πρόσωπο.

Уважаемый покупатель!

Мы убеждены, что приобретенное Вами изделие будет соответствовать всем Вашим требованиям. Приобретение одного из изделий **BAXI** отвечает вашим ожиданиям: хорошая работа, простота и легкость пользования. Сохраните это руководство, и пользуйтесь им в случае возникновения какой-либо проблемы. В данном руководстве Вы найдете полезные сведения, которые помогут Вам правильно и эффективно использовать Ваше изделие. Элементы упаковки (пластиковые пакеты, полистирол и т.д.) необходимо беречь от детей, т.к. они представляют собой потенциальный источник опасности.

Хотя это руководство мы готовили с большой тщательностью, в нем могут быть некоторые неточности. Если Вы их заметите, просим вас сообщить о них, чтобы в будущем мы могли бы исправить данные неточности.


На котлах **BAXI** нанесена маркировка CE. Котлы соответствуют требованиям, изложенным в следующих нормативах:

- Газовый норматив 2009/142/ЕС
- Норматив по производительности 92/42/ЕЕС
- Норматив по электромагнитной совместимости 2004/108/ЕС
- Норматив по низким напряжениям 2006/95/ЕС



## СОДЕРЖАНИЕ

### РУКОВОДСТВО ДЛЯ ПОЛЬЗОВАТЕЛЯ

1. Подготовка к установке.....	69
2. Подготовка к первому пуску.....	69
3. Пуск котла.....	70
4. Регулирование комнатной температуры и температуры горячей санитарной воды.....	70
5. Описание кнопки  (Лето – Зима – Только отопление – Выключено)	71
6. Заполнение системы.....	71
7. Выключение котла.....	71
8. Перевод котла на другой тип газа.....	71
9. Выключение на длительный период. Защита от замерзания (контур отопления).....	72
10. Система безопасности: индикаторы и срабатывание.....	72
11. Указания по уходу.....	72

### РУКОВОДСТВО ДЛЯ ТЕХНИЧЕСКОГО ПЕРСОНАЛА

12. Общие сведения.....	73
13. Проверки перед установкой котла.....	73
14. Установка котла.....	74
15. Габариты котла.....	74
16. Установка дымохода и воздуховода.....	75
17. Подключение к электропитанию.....	79
18. Подсоединение комнатного термостата.....	80
19. Изменение типа газа.....	81
20. Вывод параметров электронной платы на дисплей котла.....	83
21. Установка параметров.....	84
22. Устройства регулирования и предохранительные устройства.....	85
23. Расположение электрода зажигания и электрода-датчика пламени.....	86
24. Контроль отходящих газов.....	86
25. Характеристики расход/напор.....	86
26. Присоединение внешнего бойлера.....	87
27. Ежегодное техническое обслуживание.....	87
28. Функциональные схемы.....	88
29. Схемы электрических соединений.....	89
30. Технические данные.....	90



Компания Бакси (**BAXI**) является одним из европейских лидеров производства отопительных котлов и высокотехнологичных систем отопления. Компания имеет сертификаты международной системы качества и организации производства CSQ в области защиты окружающей среды (ISO 14001); контроля качества продукции (ISO 9001) и безопасности (OHSAS 18001). Это подтверждает стратегическую направленность компании Бакси на заботу о здоровье и безопасности собственных работников, доверия пользователей к произведенному товару и охране окружающей среды. Компания постоянно занята улучшением всех вышеперечисленных аспектов для удовлетворения пожеланий своих клиентов



# 1. ПОДГОТОВКА К УСТАНОВКЕ

Котел предназначен для нагрева воды не выше температуры кипения при атмосферном давлении. Он подключается к системе отопления и к системе приготовления горячей воды в соответствии с его характеристиками и мощностью. Котел должен устанавливаться квалифицированным специалистом.

До установки котла необходимо:

- а) Проверить, что котел настроен на работу с данным типом газа. Данная информация приведена на упаковке и на заводской табличке (шильдике) котла.
- б) Убедиться, что в дымоходе имеется достаточная тяга, отсутствуют сужения, и нет поступления посторонних продуктов сгорания, за исключением тех случаев, когда дымоход специально спроектирован для обслуживания нескольких устройств.
- в) При присоединении дымоотводящего патрубка к уже имеющемуся дымоходу проверить, что дымоход полностью очищен, т.к. при работе котла частицы сажи могут оторваться от стенок дымохода и закрыть выход продуктов сгорания, создав тем самым опасную ситуацию.
- г) Кроме того, чтобы сохранить действие гарантии на аппарат и для поддержания его правильного функционирования, необходимо применять следующие меры предосторожности:

## 1. Контур ГВС:

- 1.1. если жесткость воды выше значения 20° F (где 1° F = 10 мг CaCO<sub>3</sub> на 1 литр воды) следует установить полифосфатный дозатор или подобную систему для умягчения воды, которая соответствует действующим нормативам.
- 1.2. тщательно промыть оборудование после его установки и перед началом эксплуатации.
- 1.3. материалы, использованные в контуре горячего водоснабжения, соответствуют Директиве 98/83 Европейского Союза.

## 2. Контур отопления

### 2.1. новое оборудование

Перед установкой котла отопительное оборудование должно быть предварительно очищено, чтобы убрать возможные отложения или загрязнения (кусочки обшивки, спайки, и т.п.), используя для этого вещества, имеющиеся в свободной продаже. Вещества, используемые для очистки оборудования, не должны содержать концентрированную кислоту или щелочь, которые могут разъесть металл и повреждать части оборудования из пластика и резины (например, SENTINEL X300 или X400 и FERNOX Rigenatore для отопительного оборудования). При использовании очищающих веществ необходимо строго следовать указаниям инструкций по их применению.

### 2.2. эксплуатируемое оборудование:

Перед установкой котла отопительное оборудование должно быть предварительно очищено от грязи и отложений, используя вещества, имеющиеся в свободной продаже (см. пункт 2.1)

Для защиты оборудования от накипи необходимо использовать вещества-ингибиторы, такие как SENTINEL X100 и FERNOX Protettivo для отопительного оборудования. При использовании данных веществ необходимо строго следовать указаниям инструкций по их применению.

Напоминаем Вам, что наличие отложений в тепловом оборудовании приводит к проблемам в работе котла (перегрев, шумность горелки и т.п.)

---

При не соблюдении данных рекомендаций аппарат снимается с гарантийного обслуживания

---

# 2. ПОДГОТОВКА К ПЕРВОМУ ПУСКУ

Первый пуск котла должен производиться квалифицированным специалистом. Необходимо убедиться в следующем:

- а) Параметры котла по электропитанию, воде и газу соответствуют имеющимся системам электро-, водо-, и газоснабжения.
- б) Установка произведена в соответствии с действующими нормативами.
- в) Аппарат правильно подключен к электропитанию и заземлению.

При несоблюдении вышеперечисленных требований гарантия от завода-изготовителя теряет свою силу. Перед первым пуском снимите с котла целлофановую защитную пленку. Чтобы не повредить окрашенные поверхности, во время мытья и чистки поверхностей не используйте жесткие инструменты или абразивные моющие средства.

---

*Устройство не должно использоваться детьми, людьми с физическими и ментальными проблемами, либо без достаточного опыта и знаний, за исключением, когда они пользуются услугами лица, ответственного за их безопасность, делают это под наблюдением или по инструкции, предназначенной для устройства..*

---

### 3. ПУСК КОТЛА

Гарантийные обязательства, выполняются организацией, осуществившей первый пуск котла. Данная организация должна иметь установленные законом лицензии. Начало гарантийного срока наступает с момента первого пуска. Для осуществления первого пуска и последующего обслуживания котла рекомендуем Вам обращаться в авторизованные сервисные центры ВАХИ ("БАКСИ"). Адреса и телефоны сервисных центров спрашивайте в торгующей организации.

Для правильного зажигания горелки нужно:

- подключить котел к электросети;
- открыть газовый кран;
- нажать кнопку (🔌) чтобы установить режим работы котла Лето (☀️), Зима (❄️) или только отопление (🔥);
- установить необходимые значения температуры в системах отопления (🔥) и ГВС (🚿), действуя кнопками +/-.

Когда котел включен, на дисплее горит символ 🔥.

В режиме Лето (☀️), котел работает только на производство горячей бытовой воды.

#### Внимание

При первом включении внутри трубы подачи газа могут образоваться воздушные пробки. В таких случаях горелка не будет включаться и произойдет блокировка котла. При возникновении данной проблемы повторите процедуру включения котла до поступления газа в горелку, нажимая не менее 2 сек кнопку Сброс (R).



### 4. РЕГУЛИРОВАНИЕ КОМНАТНОЙ ТЕМПЕРАТУРЫ И ТЕМПЕРАТУРЫ ГОРЯЧЕЙ САНИТАРНОЙ ВОДЫ

Оборудование должно быть оснащено комнатным термостатом для контроля температуры в помещении.

Регулирование температуры в помещении (🔥) и температуры горячей бытовой воды (🚿) осуществляется с помощью кнопок +/- (см. рис 1).

Наличие пламени на горелке показано на дисплее панели управления символом (🔥), как описано в главе 3.1.

#### СИСТЕМА ОТОПЛЕНИЯ

Во время работы котла на систему отопления на дисплее (рис.1) появляется мигающий символ (🔥) и температура (°C) на подаче в систему отопления.


#### СИСТЕМА ГВС



Во время работы котла на систему ГВС на дисплее (рис.1) появляется мигающий символ (🚿) и температура (°C) горячей бытовой воды).


## 5. ОПИСАНИЕ КНОПКИ (Лето – Зима – Только Отопление – Выключено)

Нажимая данную кнопку, можно установить следующие режимы работы котла:

- ЛЕТО
- ЗИМА
- ТОЛЬКО ОТОПЛЕНИЕ
- ВЫКЛЮЧЕНО

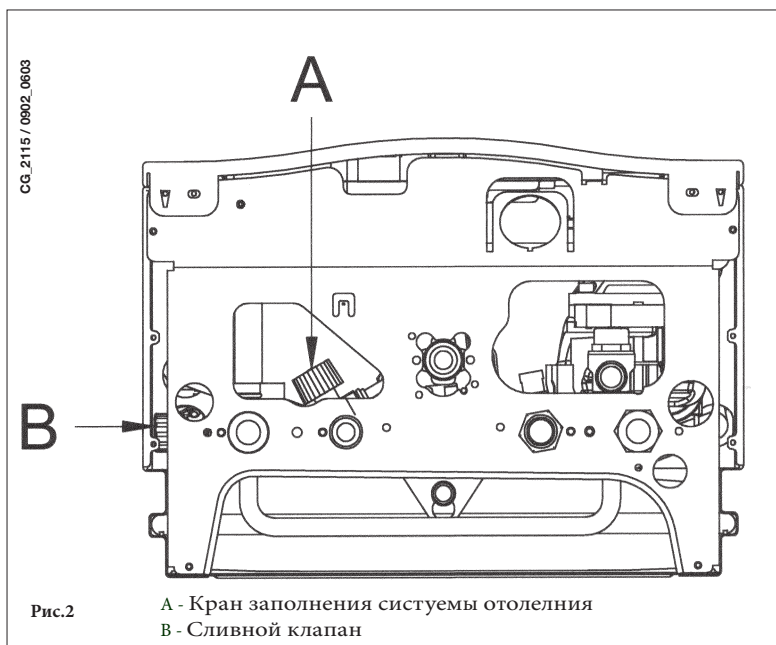
При работе котла в режиме **ЛЕТО** на дисплее появляется символ . Котел работает только на приготовление горячей воды (функция «защита от замерзания» остается активна).

При работе котла в режиме **ЗИМА** на дисплее появляются символы  . Котел работает как на отопление, так и на приготовление горячей воды (функция «защита от замерзания» активна).

При работе котла в режиме **ТОЛЬКО ОТОПЛЕНИЕ** на дисплее появляется символ . Котел работает только на систему отопления (функция «защита от замерзания» активна).

В режиме **ВЫКЛЮЧЕНО** на дисплее отсутствуют оба символа  . Котел не работает, остается активна только функция «защита от замерзания».

## 6. ЗАПОЛНЕНИЕ СИСТЕМЫ



### ВНИМАНИЕ

Отключите электропитание котла с помощью двуполярного переключателя.

**ВАЖНО:** Регулярно проверяйте по манометру, чтобы давление находилось в пределах от 0,7 до 1,5 бар при холодной системе отопления. При превышении давления откройте сливной клапан. Если давление ниже нормы откройте кран заполнения (рис.2). Советуем открывать кран очень медленно для облегчения стравливания воздуха.

Котел оборудован дифференциальным гидравлическим прессостатом, который отключает котел в случае блокировки насоса или при недостатке воды.

**Примечание:** Если давление падает часто, пусть ваш котел проверит квалифицированный специалист.

## 7. ВЫКЛЮЧЕНИЕ КОТЛА

Для выключения котла необходимо отключить электропитание прибора. Когда переключатель режимов находится в положении «ВЫКЛЮЧЕНО» (см. параграф 5) котел не работает (на дисплее появляется надпись OFF), но электрический контур котла остается под напряжением и остается активной функция «защита от замерзания» (параграф 9).

## 8. ПЕРЕВОД КОТЛА НА ДРУГОЙ ТИП ГАЗА

Котел может работать как на природном, так и на сжиженном газе. Перевод котла на другой тип газа выполняет только квалифицированный специалист.



## 9. ВЫКЛЮЧЕНИЕ НА ДЛИТЕЛЬНЫЙ ПЕРИОД. ЗАЩИТА ОТ ЗАМЕРЗАНИЯ

Рекомендуется избегать частых сливов воды из системы отопления, т.к. частая замена воды приводит к ненужным и вредным отложениям накипи внутри котла и теплообменников.

Если котел не используется в зимний период и существует опасность замерзания, Вы можете использовать в системе отопления незамерзающие жидкости – антифризы. В инструкциях производителя антифриза должно быть указано, что данный антифриз предназначен именно для систем отопления. При использовании антифриза необходимо строго соблюдать рекомендации производителя. Для двухконтурных котлов рекомендуется использовать антифризы на базе пропиленгликоля. Рекомендуемая концентрация антифриза должна соответствовать температуре замерзания от -15 °С до -20 °С.

В котле работает функция «защита от замерзания», которая при температуре воды на подаче системы отопления менее 5 °С включает горелку; горелка работает до достижения температуры 30 °С на подаче.

Данная функция работает, если:

- котел подключен к электропитанию;
- в сети есть газ;
- давление в системе отопления соответствует установленным параметрам;
- котел не заблокирован.

## 10. СИСТЕМА БЕЗОПАСНОСТИ: ИНДИКАТОРЫ И СРАБАТЫВАНИЕ

В случае неисправности на дисплее появится ее код (например. E 01):



Для перезапуска котла установите переключатель режимов (Рис.2) на 2 сек в положение «R». При повторных срабатываниях данного устройства обратитесь в обслуживающую организацию.

**ВНИМАНИЕ:** Возможно осуществить только 5 попыток перезапуска котла, затем котел блокируется. Для осуществления новой попытки перезапуска котла необходимо выключить котел на несколько секунд.

КОД НЕИСПРАВНОСТИ	Описание неисправности	МЕРЫ ПО УСТРАНЕНИЮ
E01	Отсутствие зажигания	Нажимать не менее 2 сек кнопку “R”. В случае повторного срабатывания данного устройства, обратитесь в обслуживающую организацию.
E02	Сработал предохранительный термостат перегрева	Нажимать не менее 2 сек кнопку “R”. В случае повторного срабатывания данного устройства, обратитесь в обслуживающую организацию.
E03	Сработал предохранительный термостат (датчик тяги)/ пресостат – датчик тяги	Обратиться в обслуживающую организацию
E04	Блокировка из-за отсутствия пламени после 6 последовательных попыток	Нажимать не менее 2 сек кнопку “R”. В случае повторного срабатывания данного устройства, обратитесь в обслуживающую организацию.
E05	Неисправен датчик температуры контура отопления	Обратиться в обслуживающую организацию.
E06	Неисправен датчик температуры системы ГВС	Обратиться в обслуживающую организацию.
E10	Нет сигнала от гидравлического пресостата	Проверьте, чтобы давление в системе соответствовало необходимым значениям (см. главу 6). Если неисправность остается, обратитесь в обслуживающую организацию.
E25/E26	Отсутствие циркуляции воды (блокировка насоса)	Обратиться в обслуживающую организацию.
E27	Неправильное положение датчика температуры системы ГВС	Нажимать не менее 2 сек кнопку “R”. В случае повторного срабатывания данного устройства, обратитесь в обслуживающую организацию.
E32	Наличие накипи в теплообменнике	Обратиться в обслуживающую организацию.
E35	Ошибка пламени (паразитное пламя)	Нажимать не менее 2 сек кнопку “R”. В случае повторного срабатывания данного устройства, обратитесь в обслуживающую организацию.
E96	Понижение напряжения в сети электропитания	Автоматический ПЕРЕЗАПУСК. В случае повторного срабатывания данного устройства, обратитесь в обслуживающую организацию.

**ВАЖНО:** В случае неисправности базовая подсветка дисплея синхронно мигает с высвечиваемым кодом неисправности.

## 11. УКАЗАНИЯ ПО УХОДУ

Для поддержания эффективной и безопасной работы Вашего котла в конце каждого сезона его должен проверить квалифицированный специалист. Качественное обслуживание обеспечивает долгий срок службы и экономичную работу системы. Внешнее покрытие котла нельзя чистить абразивными, едкими или легковоспламеняющимися моющими средствами (такими как бензин, спирт и т.п.). Перед чисткой всегда отключайте агрегат от сети (см. параграф 6 “Выключение котла”).



## 12. ОБЩИЕ СВЕДЕНИЯ

Нижеследующие указания и замечания составлены для того, чтобы помочь квалифицированному специалисту проводить без ошибок установку и техническое обслуживание. Указания относительно розжига котла и его работы приведены в разделе “Руководство для пользователя”. Установка, техническое обслуживание и проверка работы домашних газовых устройств должны производиться только квалифицированным персоналом и в соответствии с действующими нормами.

Обратите внимание:

- этот котел можно подключать к любому типу радиаторов и теплообменников, используя однотрубную, двухтрубную или лучевую систему. Вы можете располагать секции в системе отопления обычным образом, учитывая при этом данные из раздела “Характеристики расход/напор”.
- части упаковки (пластиковые мешки, пенопласт и пр.) держите вне досягаемости детей, поскольку они являются источником потенциальной опасности
- первый пуск котла должен проводить квалифицированный специалист.

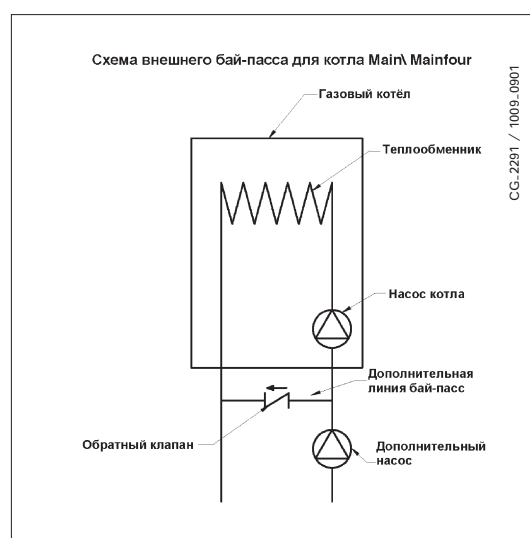
Гарантийные обязательства, выполняются организацией, осуществившей первый пуск котла. Данная организация должна иметь установленные законом лицензии. Начало гарантийного срока наступает с момента первого пуска. Для осуществления первого пуска и последующего обслуживания котла рекомендуем Вам обращаться в авторизованные сервисные центры ВАХИ (“БАКСИ”). Адреса и телефоны сервисных центров спрашивайте в торгующей организации.

### ДОПОЛНИТЕЛЬНЫЙ НАСОС

в случае использования в системе отопления дополнительного насоса, рекомендуется установить его на возврате в котел (с обязательной установкой собственной байпасной линии). Такое расположение насоса способствует правильной работе гидравлического прессостата.

### ВАЖНО

в случае подключения двухконтурного котла к установке с солнечными панелями максимальная температура бытовой воды на входе в котел не должна превышать **60 °C**.



## 13. ПРОВЕРКИ ПЕРЕД УСТАНОВКОЙ КОТЛА

Котел предназначен для нагрева воды не выше температуры кипения при атмосферном давлении. Он подключается к системе отопления и к системе приготовления горячей воды в соответствии с его характеристиками и мощностью.

До установки котла необходимо:

- а) Проверить, что котел настроен на работу с данным типом газа. Данная информация приведена на упаковке и на заводской табличке (шильдике) котла.
- б) Убедиться, что в дымоходе имеется достаточная тяга, отсутствуют сужения, и нет поступления посторонних продуктов сгорания, за исключением тех случаев, когда дымоход специально спроектирован для обслуживания нескольких устройств.
- в) При присоединении дымоотводящего патрубка к уже имеющемуся дымоходу проверить, что дымоход полностью очищен, т.к. при работе котла частицы сажи могут оторваться от стенок дымохода и закрыть выход продуктов сгорания, создав тем самым опасную ситуацию.

Кроме того, чтобы сохранить действие гарантии на аппарат и для поддержания его правильного функционирования, необходимо применять следующие меры предосторожности:

#### 1. Система ГВС:

- 1.1. если жесткость воды выше значения 20° F (где 1° F = 10 мг CaCO<sub>3</sub> на 1 литр воды) следует установить полифосфатный дозатор или подобную систему для умягчения воды, которая соответствует действующим нормативам.
- 1.2. система ГВС должна быть тщательно промыта после установки аппарата и перед его использованием.
- 1.3. материалы, использованные в контуре горячего водоснабжения, соответствуют Директиве 98/83 Европейского Союза.

#### 2. Система отопления

##### 2.1. новое оборудование:

Перед установкой котла отопительное оборудование должно быть предварительно очищено, чтобы убрать возможные отложения или загрязнения (кусочки обшивки, спайки, и т.п.), используя для этого вещества, имеющиеся в свободной продаже. Вещества, используемые для очистки оборудования, не должны содержать концентрированную кислоту или щелочь, которые могут разъесть металл и повредить части оборудования из пластика и резины (например, SENTINEL X300 или X400 и FERNOX Rigeratore для отопительного оборудования). При использовании очищающих веществ необходимо строго следовать указаниям инструкций по их применению.

## 2.2. эксплуатируемое оборудование:

Перед установкой котла отопительное оборудование должно быть предварительно очищено от грязи и отложений, используя вещества, имеющиеся в свободной продаже (см. пункт 2.1). Для защиты оборудования от накипи необходимо использовать вещества-ингибиторы, такие как SENTINEL X100 и FERNOX Protettivo для отопительного оборудования. При использовании данных веществ необходимо строго следовать указаниям инструкций по их применению. Напоминаем Вам, что наличие отложений в тепловом оборудовании приводит к проблемам в работе котла (перегрев, шумность горелки и т.п.).

При не соблюдении данных рекомендаций аппарат снимается с гарантийного обслуживания.

# 14. УСТАНОВКА КОТЛА

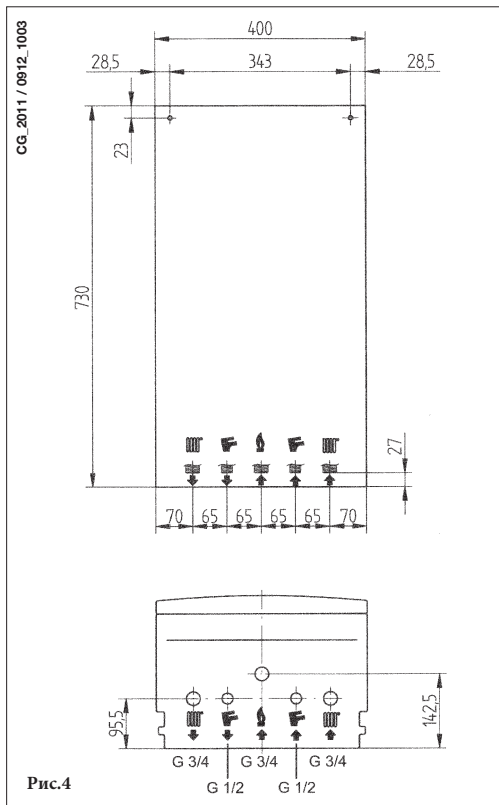


Рис.4

Выберите местоположение котла, затем прикрепите шаблон к стене.

Подведите трубы к входным отверстиям воды и газа, размеченным в нижней части шаблона. Мы советуем установить на вход в центральную систему отопления и возврат из нее два запорных крана G3/4” (заказываются отдельно); эти краны позволят производить сложные операции техобслуживания без слива воды из всей системы.

**Настоятельно рекомендуется установить сетчатый фильтр и отстойную емкость (“грязевик”) на трубе возврата из системы, чтобы туда собирались отложения, которые могли остаться в системе после очистки.**

Присоедините дымоход и воздуховод согласно инструкции, данной в последующих разделах.

	G”3/4 подача воды в систему отопления
	G”3/4 возврат воды из системы отопления
	G”1/2 выход горячей бытовой воды
	G”1/2 вход холодной воды от системы водоснабжения
	G”3/4 подача газа

## ВНИМАНИЕ

с осторожностью затягивать гидравлические присоединения, подсоединяемые к патрубкам котла (максимальный момент затяжки 30 Н·м).

# 15. ГАБАРИТНЫЕ РАЗМЕРЫ КОТЛА

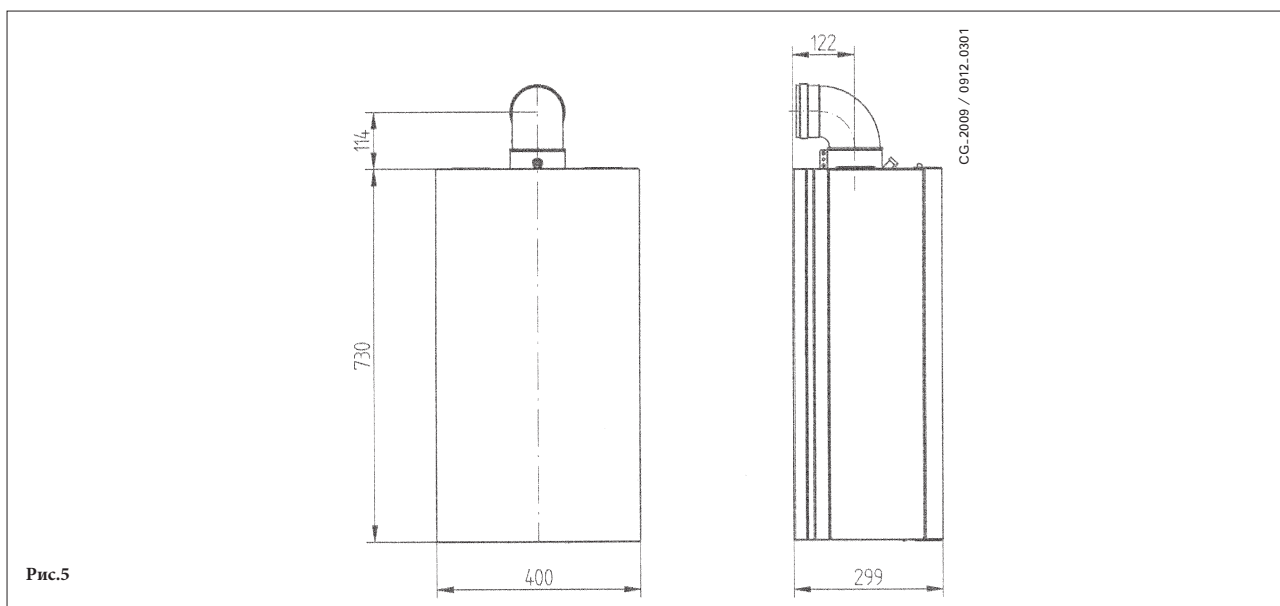


Рис.5

## 16. УСТАНОВКА ДЫМОХОДА И ВОЗДУХОВОДА

Ниже описываются поставляемые в качестве аксессуаров трубы и крепления для котлов с закрытой камерой сгорания и принудительной вытяжкой.

Котел специально спроектирован для присоединения к дымоходу и воздуховоду коаксиальной трубой. Возможно также использование отдельных труб при помощи разделительного комплекта. При использовании отдельных труб возможно также объединение их на конечном участке специальным коаксиальным наконечником (терминалом).

**Используйте крепления, поставляемые только производителем оборудования!**

**Предупреждение:** Для гарантии наибольшей безопасности при работе котла необходимо, чтобы дымоотводящие трубы были надежно прикреплены к стене.

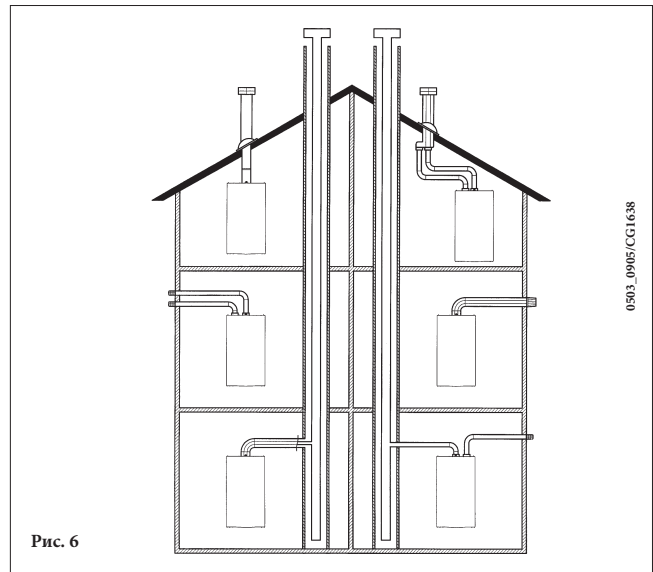


Рис. 6

### ... КОАКСИАЛЬНЫЙ ДЫМОХОД (КОНЦЕНТРИЧЕСКИЙ)

Этот тип трубопровода позволяет отводить сгоревшие газы наружу и забирать воздух для горения снаружи здания, а также присоединяться к общему дымоходу (LAS - система).

90° коаксиальный изгиб позволяет присоединять котел к дымоходу в любом направлении, поскольку он может поворачиваться на 360°. Кроме того, он может использоваться в качестве дополнительного в сочетании с коаксиальной трубой или с 45° изгибом.

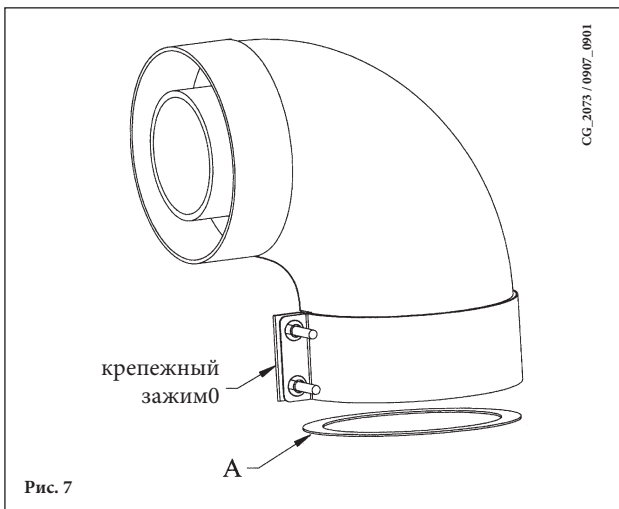


Рис. 7

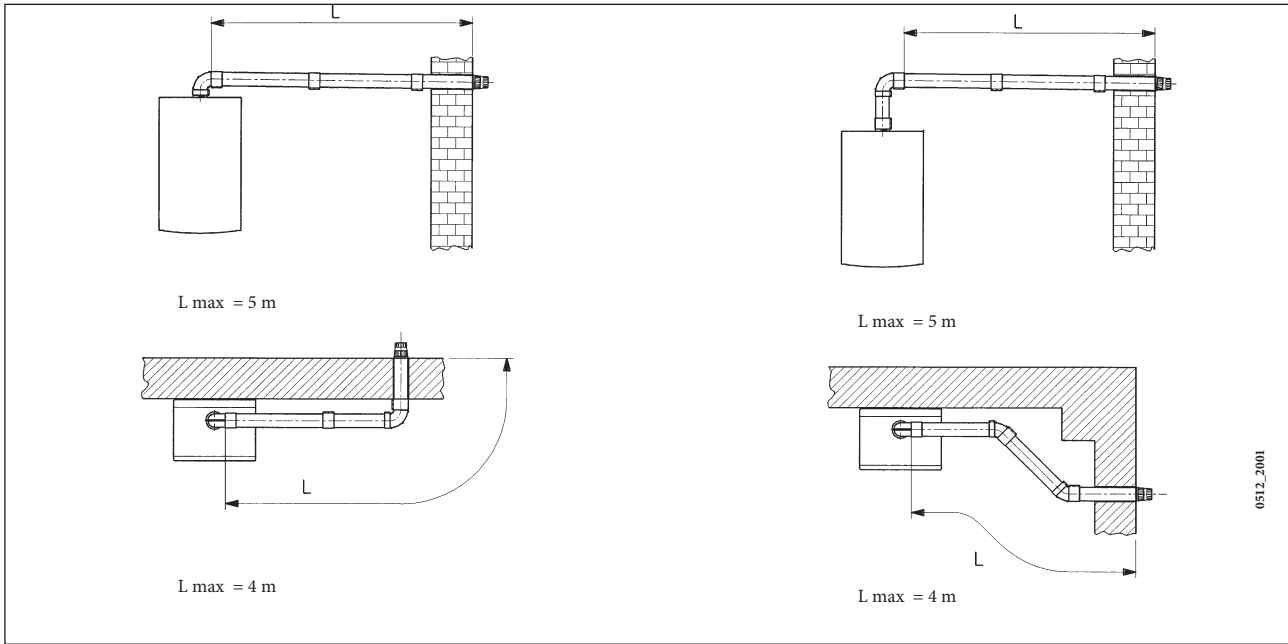
Если выход дымохода расположен снаружи, воздуховод должен выступать из стены не менее чем на 18 мм с тем, чтобы на него герметично установить алюминиевую погодную насадку во избежание попадания воды. Обеспечьте наклон трубы в сторону улицы - 1 см на каждый метр ее длины.

- 90° изгиб сокращает возможную полную длину трубы на 1м.
- 45° изгиб сокращает возможную полную длину трубы на 0,5м.

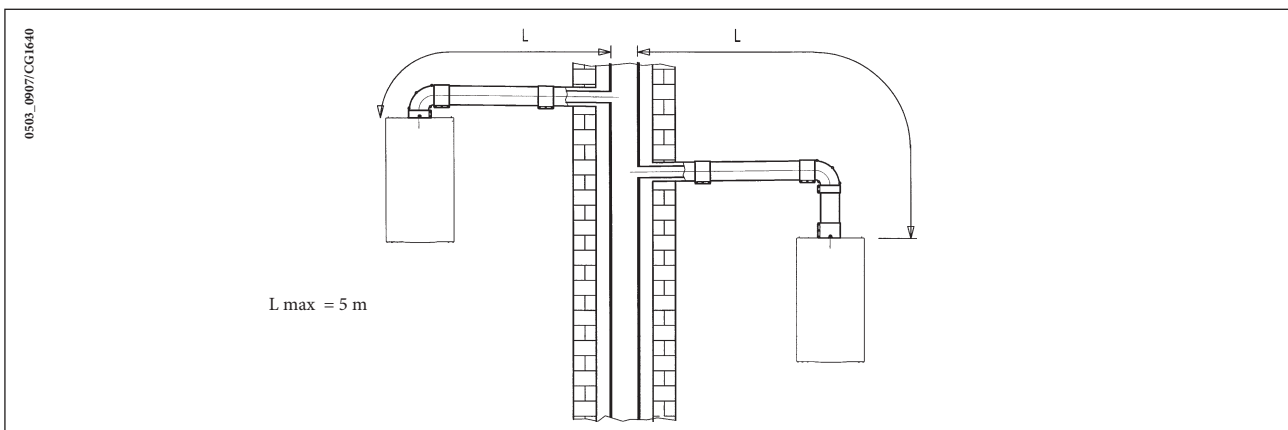
Первый изгиб в 90° не учитывать при подсчете максимально допустимой длины.

Длина (м)	Использовать ДИАФРАГМУ на ДЫМОХОДЕ Ⓐ
0 ÷ 1	ДА
1 ÷ 5	НЕТ

## 16.1 ВАРИАНТЫ ГОРИЗОНТАЛЬНОЙ УСТАНОВКИ НАКОНЕЧНИКА ДЫМОХОДА

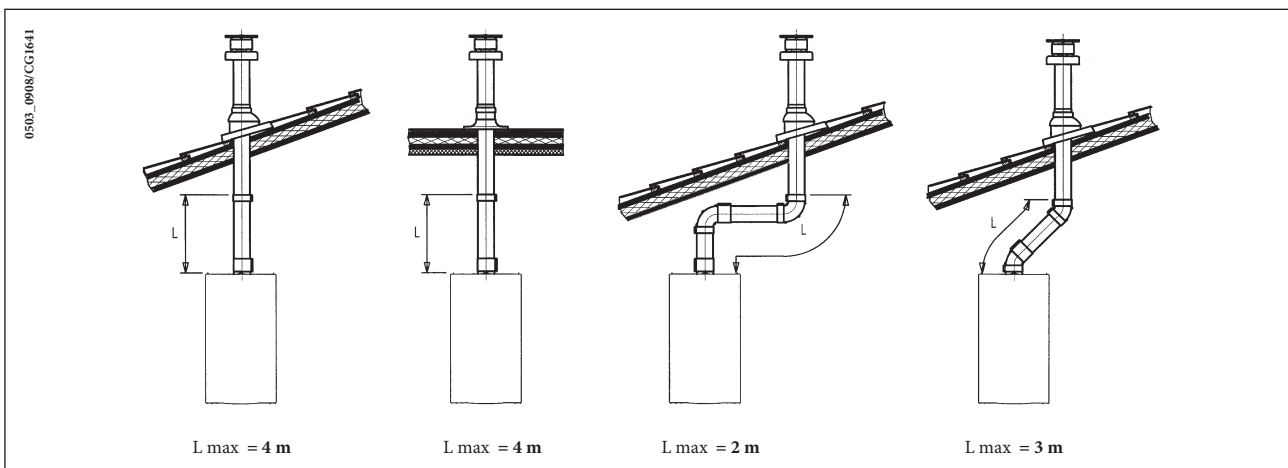


## 16.2 ВАРИАНТЫ УСТАНОВКИ ПРИ ПРИСОЕДИНЕНИИ К ОБЩЕМУ ДЫМОХОДУ (LAS - СИСТЕМА)



## 16.3 ВАРИАНТЫ ВЕРТИКАЛЬНОЙ УСТАНОВКИ НАКОНЕЧНИКА ДЫМОХОДА

Такая установка может быть выполнена как на плоской, так и на наклонной крыше путем закрепления наконечника с соответствующей погодной насадкой и рукавом (дополнительные аксессуары поставляются по требованию).



Подробные инструкции об установке аксессуаров см. в прилагаемых к ним технических сведениях.

## ... СИСТЕМА ПРИТОКА ВОЗДУХА И ОТВОДА ПРОДУКТОВ СГОРАНИЯ ПО ДВУМ ОТДЕЛЬНЫМ ТРУБАМ

Этот тип установки позволяет отводить продукты сгорания, как через стену, так и в коллективный дымоход. Приток воздуха для сгорания может осуществляться также с другой стороны, чем та, куда выходит дымоход. Разделительный комплект состоит из дымоходного переходника (100/80) и переходника для воздуховода. Переходник для воздуховода закрепите винтами с уплотнителями, вынутыми ранее из дымового колпака.

(L1+L2)	Положение регулятора	Использовать ДИАФРАГМУ на ДЫМОХОДЕ Ⓐ	CO <sub>2</sub> %	
			G20	G31
0 ÷ 4	1	НЕТ	6,4	7,4
4 ÷ 18	2			
18 ÷ 30	3			

**Примечание:** первое колено в 90° не учитывать при подсчете максимально допустимой длины.

Колено 90° позволяет присоединять котел к дымоходу в любом направлении, поскольку оно может поворачиваться на 360°. Кроме того, колено 90° может использоваться в качестве дополнительного в сочетании с дополнительной трубой или с коленом 45°.

- Колено 90° сокращает максимально возможную длину труб на 0,5 м.
- Колено 45° сокращает максимально возможную длину труб на 0,25 м.

### Регулировка проема в трубе забора воздуха

Данная настройка нужна для оптимизации производительности котла и параметров сгорания.

Муфту забора воздуха можно установить слева или справа от дымохода; ее можно поворачивать для регулировки потока воздуха в зависимости от суммарной длины воздуховода и дымохода.

Для уменьшения потока воздуха поверните муфту против часовой стрелки, для увеличения потока воздуха поворачивайте ее в обратную сторону.

Для оптимальной настройки можно использовать анализатор продуктов сгорания, измеряющий содержание CO<sub>2</sub> в продуктах сгорания при максимальной мощности. Если содержание CO<sub>2</sub> низкое, подачу воздуха постепенно регулируют, добиваясь содержания CO<sub>2</sub>, приведенного в таблице.

Для правильного подключения и использования анализатора воспользуйтесь прилагаемым к нему руководством.

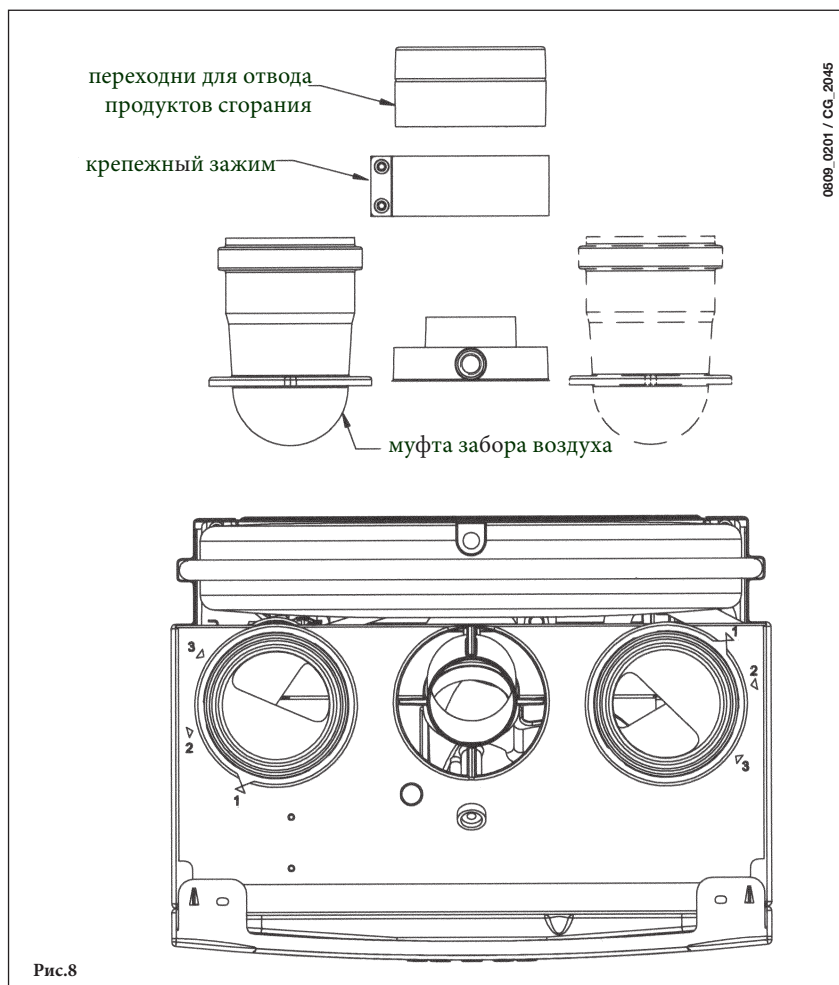
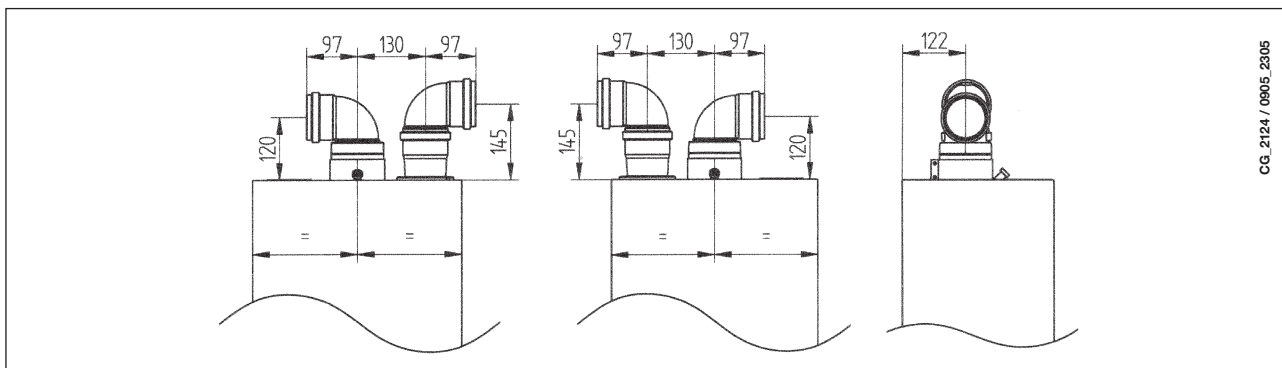


Рис.8

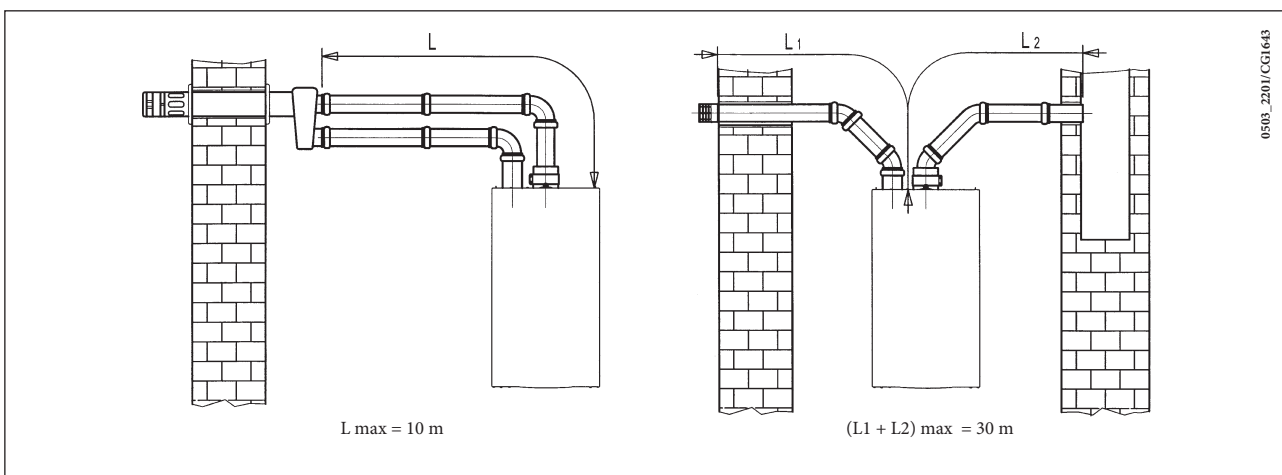
## 16.4 ГАБАРИТНЫЕ РАЗМЕРЫ СИСТЕМЫ ПРИТОКА ВОЗДУХА И ОТВОДА ПРОДУКТОВ СГОРАНИЯ ПО ДВУМ ОТДЕЛЬНЫМ ТРУБАМ



CG\_2124 / 0905\_2305

## 16.5 ВАРИАНТЫ ДЫМОУВВОДЯЩЕЙ СИСТЕМЫ ПО РАЗДЕЛЬНЫМ ТРУБАМ С ГОРИЗОНТАЛЬНЫМИ НАКОНЕЧНИКАМИ

**ОБРАТИТЕ ВНИМАНИЕ!** Необходимо обеспечить горизонтальный наклон труб в наружную сторону не менее 1 см на каждый метр длины. При установке комплекта для сбора конденсата дренажная труба должна быть наклонена в сторону котла.

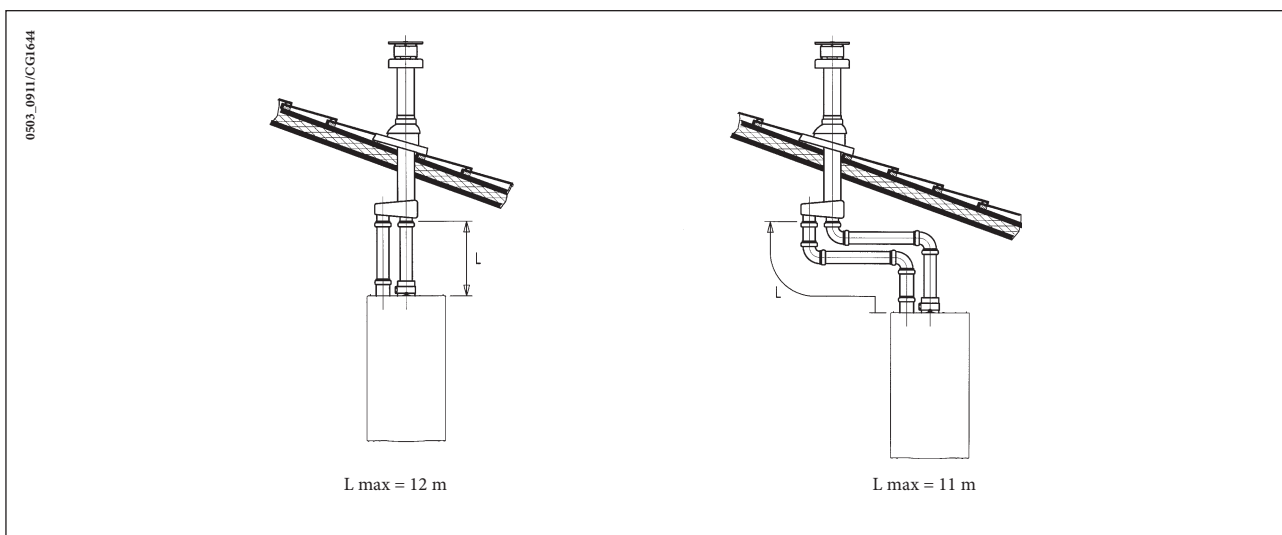


0503\_2201/CG1643

**Важно:** При расположении труб типа С52 наконечники для притока воздуха и выхода продуктов сгорания никогда не должны находиться на противоположных сторонах здания. Общая длина труб притока воздуха не должна превышать 10 метров.

При длине дымохода более 6 м комплект для сбора конденсата (поставляется дополнительно) должен монтироваться в непосредственной близости от котла.

## 16.6 ВАРИАНТЫ ДЫМОУВВОДЯЩЕЙ СИСТЕМЫ ПО РАЗДЕЛЬНЫМ ТРУБАМ С ВЕРТИКАЛЬНЫМИ НАКОНЕЧНИКАМИ



0903\_0911/CG1644

**Обратите внимание!** При установке дымохода убедитесь, что труба хорошо изолирована (напр., стекловолокном) в месте прохода трубы сквозь стену здания.

Подробные инструкции об установке труб смотри в руководствах, прилагаемых к комплектам.

## 17. ПОДКЛЮЧЕНИЕ К ЭЛЕКТРОПИТАНИЮ

Электробезопасность котла гарантируется только при правильном заземлении в соответствии с действующими нормативами.

С помощью прилагаемого трехжильного кабеля подключите котел к однофазной сети переменного тока 230В с заземлением. Убедитесь в соблюдении правильной полярности.

**Используйте двухполюсный выключатель с расстоянием между разомкнутыми контактами не менее 3мм.**

При замене сетевого кабеля рекомендуется использовать кабель сечением  $3 \times 0.75 \text{ мм}^2$  и максимальным диаметром 8мм.

### ...доступ к клеммной колодке электропитания

- двухполюсным выключателем отключите подачу питания к котлу;
- отвинтите два винта, крепящих панель управления к котлу;
- поверните панель управления;
- для доступа к контактам снимите крышку (рис. 9).

В клеммную колодку встроены плавкие предохранители на 2А (для их проверки или замены выньте черный держатель предохранителя).

**Внимание:** убедитесь в соблюдении правильной полярности L(фаза) - N(нейтраль).

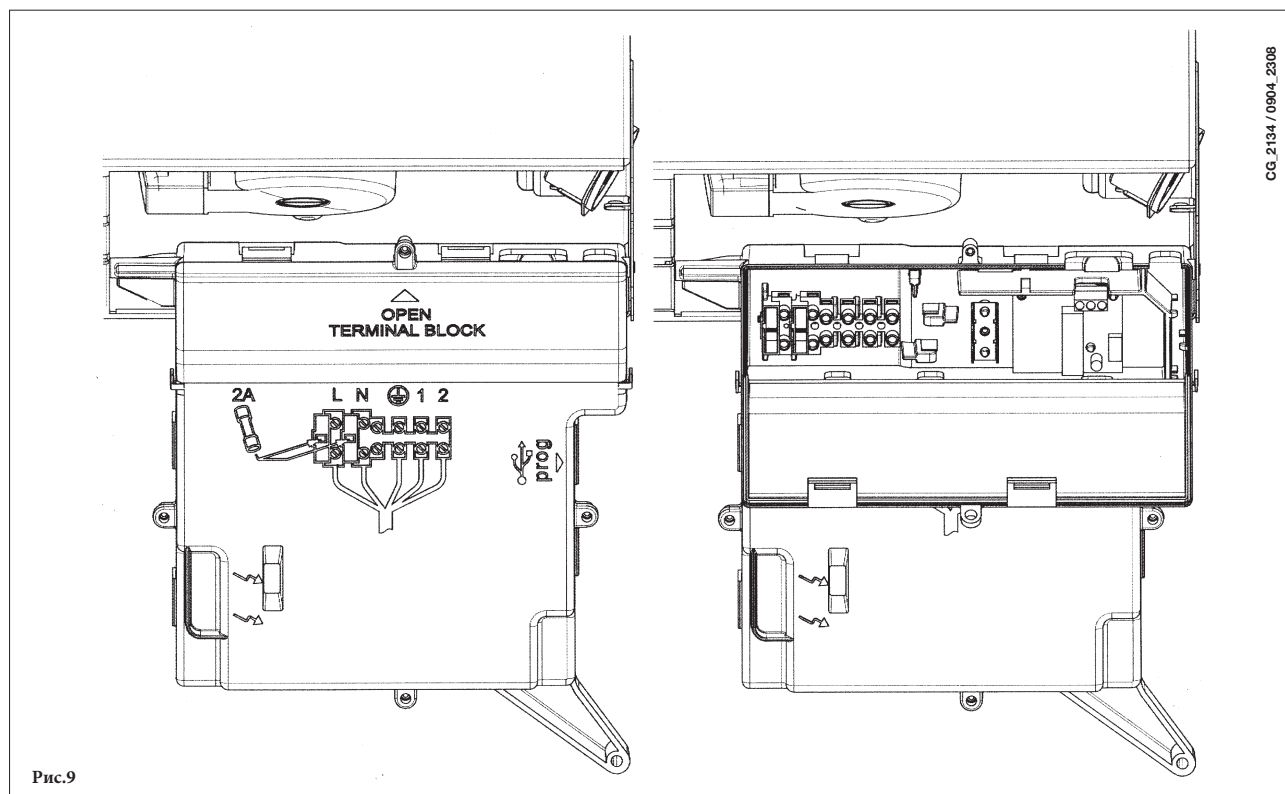
Обозначение клемм

(L) = фаза, коричневый провод

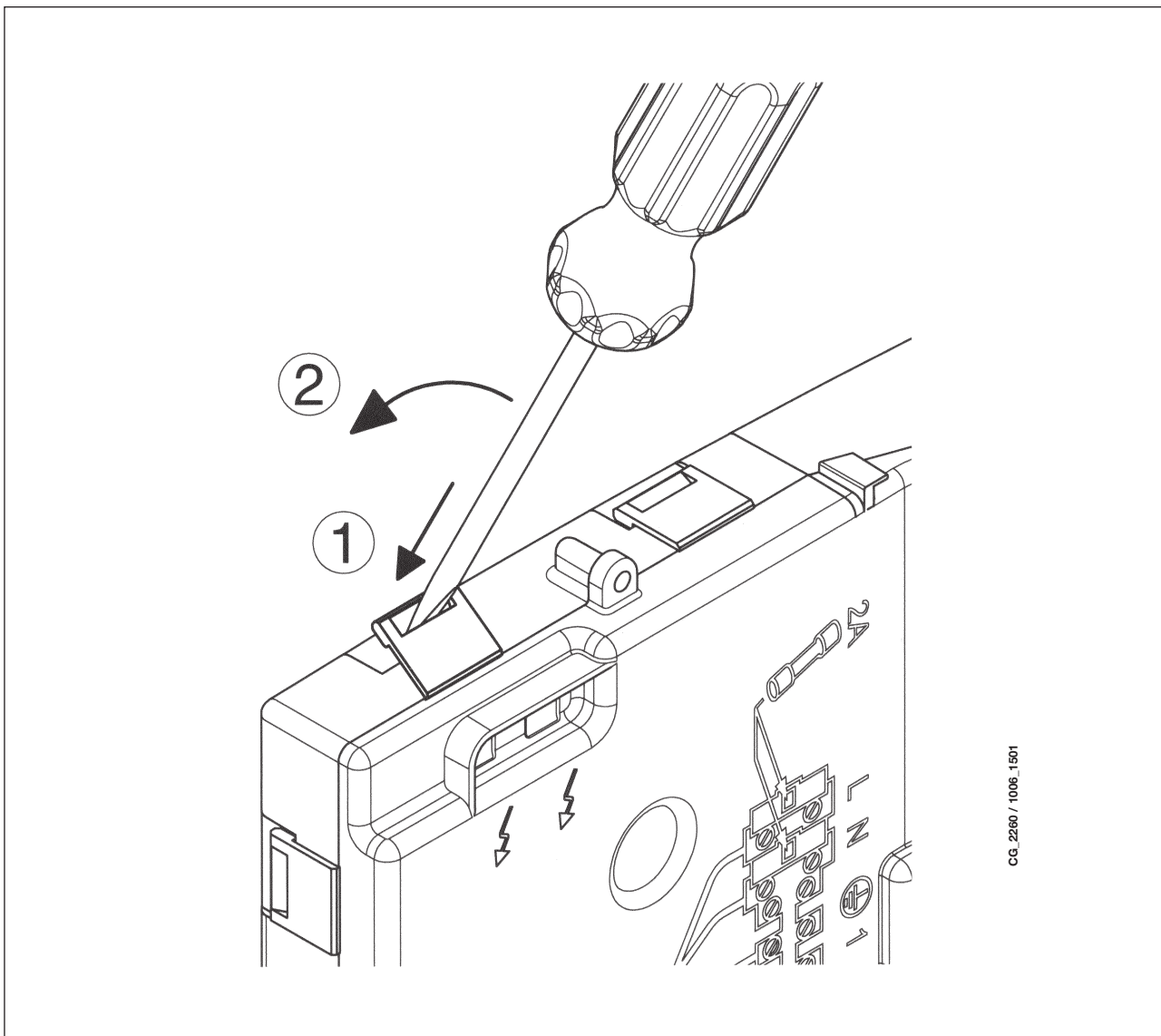
(N) = нейтраль, голубой провод

(⊕) = земля, желто-зеленый

(1) (2) = клеммы подключения комнатного термостата







Чтобы закрыть крышку панели, надавите на пластиковые защёлки при помощи отвёртки, как показано на рисунке.

## 18. ПОДСОЕДИНЕНИЕ КОМНАТНОГО ТЕРМОСТАТА

- открыть доступ к клеммам подключения электропитания (рис.9), в соответствии с инструкциями, изложенными в предыдущем параграфе;
- снять перемычку с клемм 1 и 2 клеммной колодки;
- протянуть кабель из двух проводов через кабельный зажим котла и присоединить кабель, идущий от термостата, к клеммам (1) и (2);
- включить электропитание котла

## 19. ПОРЯДОК ПЕРЕВОДА КОТЛА НА ДРУГОЙ ТИП ГАЗА И НАСТРОЙКИ ДАВЛЕНИЯ

### 19.1 ПРОВЕРКА ВХОДНОГО ДИНАМИЧЕСКОГО ДАВЛЕНИЯ ГАЗА

- Открутить винт на штуцере (Pb, рис. 10) и присоединить к штуцеру (Pb) манометр.
- Открыть газовый кран и установить переключатель режимов (Рис.2) в положение Зима и подождать до включения котла.
- Проверить динамическое входное давление газа (штуцер Pb, рис. 10). Номинальные давления: **20 мбар** для природного газа, **37 мбар** для пропана.
- Выключить котел и закрыть газовый кран.
- Отсоединить манометр и закрутить винт на штуцере Pb

### 19.2 НАСТРОЙКА МАКСИМАЛЬНОГО И МИНИМАЛЬНОГО ДАВЛЕНИЯ НА ГОРЕЛКЕ ПРИ ПОМОЩИ РЕГУЛЯТОРА ДАВЛЕНИЯ

#### Настройка максимального давления

- Открутить винт на штуцере Pa (рис. 10) и присоединить к штуцеру Pa манометр.
- Открыть газовый кран и установить переключатель режимов (Рис.2) в положение Зима и подождать до включения котла. Убедиться, что котел работает на максимальной мощности.
- Проверить давление газа на горелке согласно таблице 1 для соответствующей модели котла и соответствующего типа газа. При необходимости снять крышку модулятора и поворачивать латунный винт (винт a) до достижения давления, указанного в таблице 1 для соответствующей модели котла и соответствующего типа газа;

#### Настройка минимального давления

- Отсоединить провод питания модулятора. Котел перейдет в режим минимальной мощности. Проверить давление газа на горелке согласно таблице 1 для соответствующей модели котла и соответствующего типа газа. При необходимости и поворачивать винт (винт b) до достижения давления, указанного в таблице 1 для соответствующей модели котла и соответствующего типа газа.
- Присоединить на место провод питания модулятора и установить на место крышку модулятора.
- Выключить котел и закрыть газовый кран.
- Отсоединить манометр и закрутить винт на штуцере.

### 19.3 ПЕРЕВОД КОТЛА НА ДРУГОЙ ТИП ГАЗА

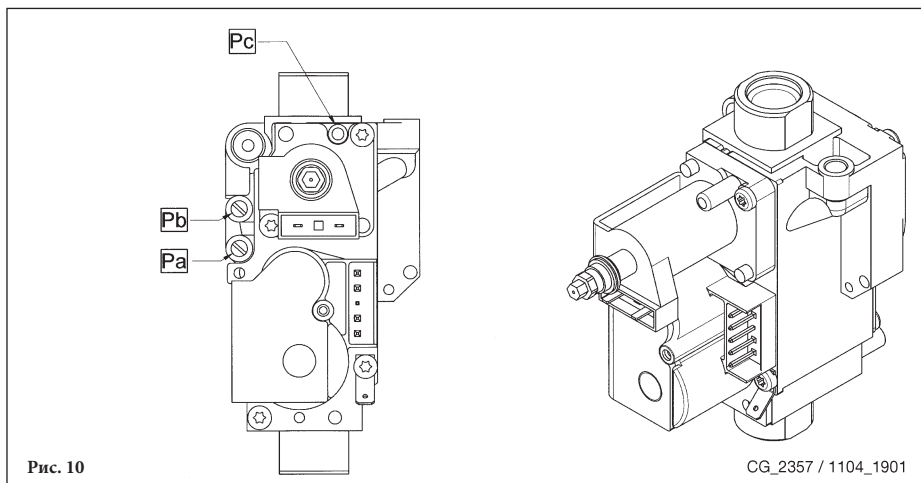
Котлы могут быть переведены на другой тип газа (G20 - метан, G31 - сжиженный газ - пропан) техническими специалистами обслуживающей организации.

Для перевода котла на другой тип газа необходимо выполнить следующие операции

- Открыть и снять переднюю панель котла.
- Заменить форсунки горелки. При замене форсунок горелки следите за тем, чтобы они были затянуты до упора с использованием соответствующих медных прокладок; при замене форсунок изучите приведенную ниже таблицу 1 для нужного типа газа.
- Изменить напряжение на модуляторе, установив параметр F02 в зависимости от типа газа, как описано в параграфе 21.
- Выполнить все операции по настройкам давления газа, указанные в § 19.1 и 19.2.
- Закрывать электрическую коробку.
- Наклеить на котел этикетку, соответствующую используемому типу газа и выполненной регулировке.
- Установить на место переднюю панель.

#### Заключительные проверки

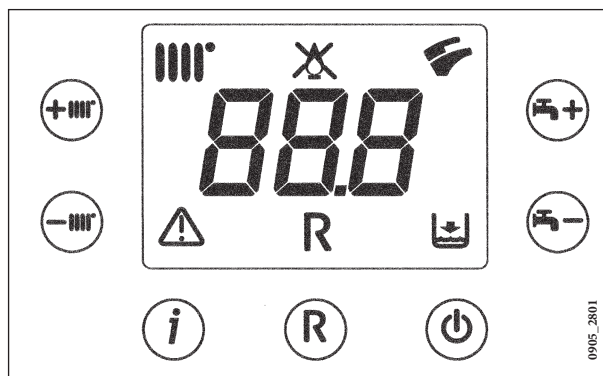
- Закройте панель управления.
- Уберите манометры и закройте точки отбора давления.
- Наклейте новую табличку с указанием типа газа и характеристик проведенной настройки.
- Установите на место переднюю панель



## 19.4 ФУНКЦИЯ КАЛИБРОВКИ ГАЗОВОГО КЛАПАНА

Для облегчения операций калибровки газового клапана, существует возможность настройки функции калибровки прямо на панели управления котлом. Необходимо выполнить перечисленные далее действия:

- a) Нужно одновременно нажать и держать нажатыми в течение как минимум 6 секунд кнопки + и +;
- b) По истечении приблизительно 6 секунд, символы начинают мигать;
- c) С интервалом в 1 секунду на дисплее появляются чередующиеся надписи, “100” и величина температуры подачи. На этом этапе котел работает при максимальной мощности на нагреве (100%).
- d) Нажав на кнопки +/- можно немедленно настроить (100% или 0%) мощность котла;
- e) Отрегулировать винт “Р<sub>макси</sub>/Р<sub>мин</sub>” (рисунок 10) до получения величины давления, указанной в Таблице 1. Для настройки давления на максимальной мощности используйте регулировочный винт “Р<sub>max</sub>” (рис. 10), поверните его по часовой стрелке для увеличения давления на горелке и против часовой для уменьшения. Для настройки давления на минимальной мощности используйте регулировочный винт “Р<sub>min</sub>” (рис. 10), поверните его против часовой стрелки для увеличения давления на горелке и по часовой для уменьшения.
- f) Нажав на кнопки +/- можно постепенно настраивать требуемый уровень мощности (промежуток = 1%).



Для того, чтобы выйти из функции, следует нажать на кнопку .

### Примечание

Эта функция автоматически отключается по истечении приблизительно 15 минут, после чего электронная плата возвращается к предыдущему состоянию работы, до включения данной функции, или до достижения максимальной заданной температуры.

## 19.5 ИЗМЕНЕНИЕ ПАРАМЕТРОВ

Процедура доступа к параметрам описана ниже:

- 1) Необходимо одновременно нажать на кнопки - и - и держать их нажатыми в течение примерно 6 секунд, после чего на дисплее появится надпись “F01”, которая будет чередоваться с заданной величиной;
- 2) Следует нажать на кнопки +/- для передвижения по перечню параметров;
- 3) Для увеличения или уменьшения значений выбранного параметра, следует нажать соответственно на кнопки +/- ;
- 4) Нажать на кнопку для запоминания программирования настроенных параметров (на дисплее в течение нескольких секунд появляется надпись “MEM”).
- 5) Нажать на кнопку для выхода без запоминания из программирования (на дисплее в течение нескольких секунд появляется надпись “ESC”).

### ПРЕДУПРЕЖДЕНИЕ

Для перехода с газа G20 на газ G31, необходимо изменить параметры F02, F08, F09, F10 и F16, как указано в таблице в параграфе 21. Следует прикрепить дополнительную табличку, предоставляемую в комплекте с изменением, с указанием типа нового газа и проведенной калибровки.

Таблица 1. Параметры форсунок

Тип газа	G20	G31
Диаметр форсунок (мм)	1,28	0,77
Давление на горелке (мбар*) минимальная мощность	2,0	5,7
Давление на горелке (мбар*) минимальная мощность	11,2	32,6
Число форсунок	13	

Таблица 2

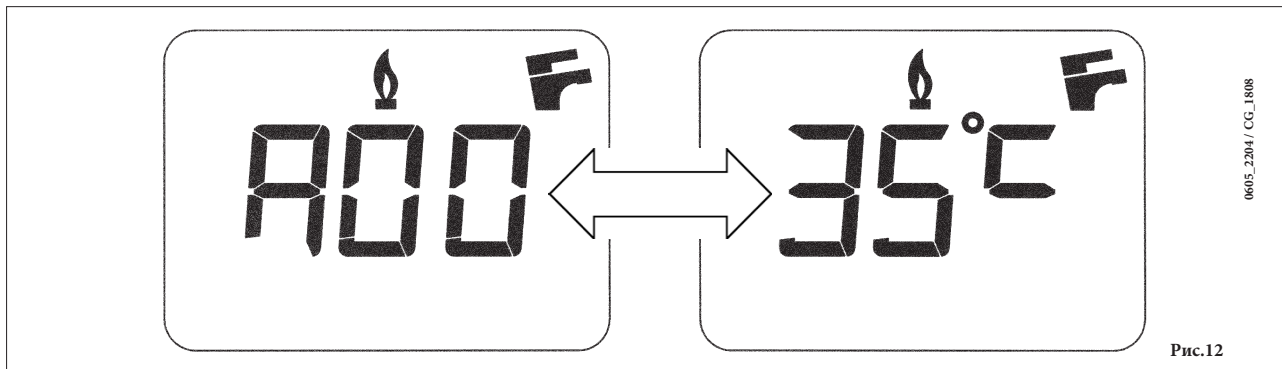
Тип газа	G20	G31
При макс. давлении	2,73 m <sup>3</sup> /h	2,00 kg/h
При мин. давлении	1,12 m <sup>3</sup> /h	0,82 kg/h
Теплотворная способность	34,02 MJ/m <sup>3</sup>	46,34 MJ/kg

\* 1 mbar = 10,197 mm H<sub>2</sub>O

## 20. ВЫВОД ИНФОРМАЦИИ НА ДИСПЛЕЙ КОТЛА

Для вывода информации о работе котла на дисплей, расположенный на передней панели котла, нажимать не менее 5 сек кнопку «i».

**ВНИМАНИЕ:** когда активна функция «INFO» на дисплее (рис.12) появляется надпись «A00», которая сменяется значением температуры на подаче котла:



- нажимать кнопки  (+/-) чтобы вывести на дисплей значения следующих параметров:

**A00:** действующее значение (°C) температуры горячей бытовой воды (система ГВС);

**A01:** значение (°C) температуры на улице (при подсоединенном датчике уличной температуры);

**A02:** Мгновенная величина (%) сигнала управления газовым клапаном;

**A03:** значение (%) мощности (MAX R);

**A04:** заданное значение (°C) температуры на подаче в систему отопления;

**A05:** действующее значение (°C) температуры воды на подаче в систему отопления;

**A06:** заданное значение (°C) температуры горячей бытовой воды;



**A07:** Не используется;

**A08:** Не используется;



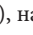
**A09:** последняя ошибка, обнаруженная в работе котла.

- функция “INFO” остается активной в течение 3 мин. Для выхода из данного режима раньше этого времени нажимать не менее 5 сек кнопку «i» или отключить электропитание котла.

## 21. УСТАНОВКА ПАРАМЕТРОВ

Для установки параметров котла нажимать одновременно не менее 6 сек кнопку (– ) и кнопку (– )  
 Когда функция активна, на дисплее появится надпись “F01” которое сменяется значением выбранного параметра.

### Изменение параметров:

- для просмотра параметров действовать кнопками +/– ;
- для изменения единичного параметра действовать кнопками +/– ;
- для запоминания измененного значения параметра нажать кнопку () , на дисплее появится надпись “MEM”.
- для выхода из функции без запоминания нажать кнопку «i» , на дисплее появится надпись “ESC”.

	Описание параметров	Значение, установленное на заводе
F01	Тип котла 10 = с закрытой камерой сгорания 20 = с открытой камерой сгорания	10
F02	Тип используемого газа 00 = G20 01 = G31	00 o 01
F03	Гидравлическая система	02
F04 F05	Установка программируемых реле (См. инструкции по эксплуатации) 00 = отсутствуют сопутствующие функции	00
F06	Установка максимальной температуры (°C) системы отопления 00 = 76°C (Выключение горелки при 80°C) 01 = 45°C	00
F07	Конфигурация входного устройства датчика приоритета контура ГВС (См. инструкции по эксплуатации)	02
F08	Максимальная полезная мощность системы отопления (0-100%)	100
F09	Максимальная полезная мощность системы ГВС (0-100%)	100
F10	Минимальная полезная мощность системы отопления (0-100%)	00
F11	Время ожидания горелки между двумя включениями (01-10 мин) - 00=10 сек.	03
F12	Диагностика (См. инструкции по эксплуатации)	--
F13	Тип теплообменника 00 = 270 mm 01 = 225 mm	00
F14	Тест для проверки правильного положения зонда горячей воды 00 = Выключено 01 = Всегда включено	00
F15	Фабричное значение	00
F16...F17	Информация производителя --- Не используется	00

## 22. УСТРОЙСТВА РЕГУЛИРОВАНИЯ И ПРЕДОХРАНИТЕЛЬНЫЕ УСТРОЙСТВА

Котел спроектирован в полном соответствии с европейскими нормами и содержит следующие устройства:

- **Датчик тяги (пневмореле)**

Данное устройство обеспечивает включение основной горелки при условии исправной работы вытяжного дымохода. Пневмореле отключает основную горелку при следующих неисправностях:

- загоржен выход дымохода;
- засорена трубка Вентури;
- не работает вентилятор;
- нет контакта между трубкой Вентури и датчиком тяги,

котел остается в режиме ожидания, на дисплей выводится код неисправности E03 (см. таблицу главы 10).

- **Термостат перегрева**

благодаря датчику, установленному на выходной трубе первичного теплообменника, в случае перегрева воды первичного контура прекращается подача газа в горелку. При этом котел останавливается. После устранения причины, вызвавшей блокировку, возможно повторное включение, нажимая не менее 2 сек на кнопку (R).

---

### Запрещается отключать данное предохранительное устройство!

---

- **Датчик ионизации пламени**

Электрод для определения наличия пламени, расположенный с правой части горелки, гарантирует безопасность работы и блокирует котел при нарушении подачи газа или неполном горении основной горелки.

В данных условиях котел блокируется после 3 попыток запуска.

Для восстановления нормальной работы котла нажимать не менее 2 сек на кнопку (R).

- **Гидравлический прессостат.**

Данное устройство позволяет включить основную горелку, только если давление в системе выше 0,5 бар.

- **Постциркуляция насоса контура отопления**

Постциркуляция насоса, контролируемая электронной системой управления котла, продолжается 3 мин, когда котел находится в режиме обогрева и осуществляется при каждом выключении горелки по сигналу комнатного термостата.

- **Постциркуляция насоса контура ГВС**

Постциркуляция насоса, контролируемая электронной системой управления котла, продолжается 30 сек, когда котел находится в режиме приготовления бытовой горячей воды и осуществляется в контуре ГВС при каждом выключении горелки по сигналу датчика.

- **Устройство защиты от замерзания (контуров отопления)**

Электронная система управления котла имеет функцию защиты «от замерзания» в контуре отопления и ГВС, которая при температуре воды на подаче ниже 5°C включает горелку до достижения на подаче температуры, равной 30°C.

Данная функция работает, если к котлу подключено электричество, кран подачи газа открыт и если давление в системе соответствует предписанному.

- **Отсутствие циркуляции воды в первичном контуре (возможная блокировка насоса)**

В случае отсутствия или недостаточности циркуляции воды в первичном контуре, работа котла останавливается и дисплей котла выводится код неисправности E25 (см. главу 10)

- **Защита от блокировки насоса**

Если котел не работает в течение 24 часов подряд на контур отопления, насос включается автоматически на 10 сек. Данная функция работает, если к котлу подключено электричество.

- **Водяной сбросной клапан системы отопления**

настроен на давление 3 бар и установлен в системе отопления.

---

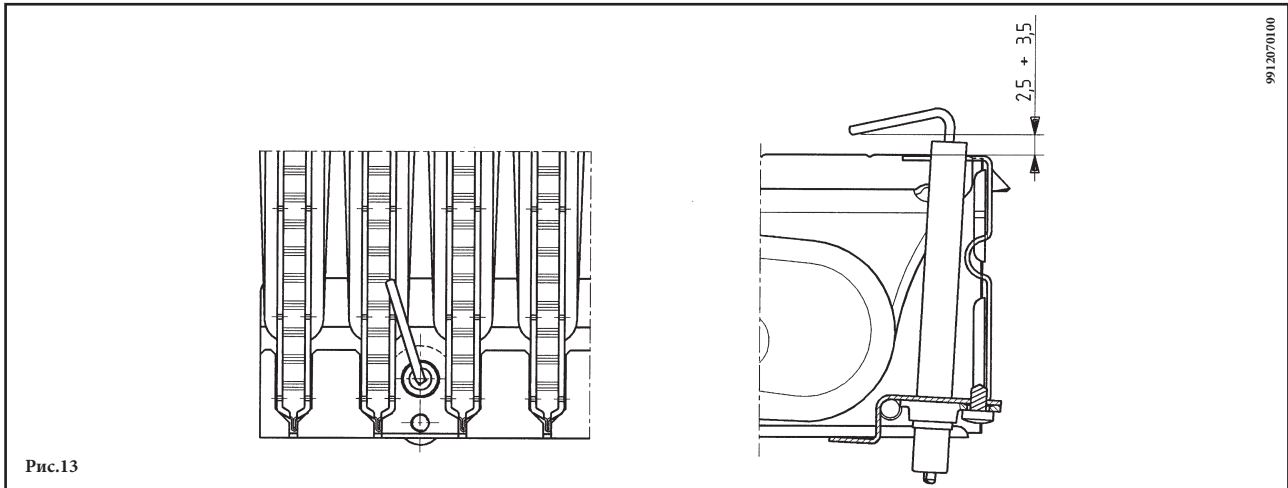
Сбросной клапан должен быть присоединен к дренажной системе через воронку. Категорически воспрещается использовать его для слива воды из системы отопления.

---

### ПРИМЕЧАНИЕ:

В случае поломки датчика температуры NTC системы ГВС производство горячей санитарной воды, тем не менее, продолжается. В этом случае контроль температуры осуществляется посредством датчика на подаче.

## 23. РАСПОЛОЖЕНИЕ ЭЛЕКТРОДА ЗАЖИГАНИЯ И ЭЛЕКТРОДА-ДАТЧИКА ПЛАМЕНИ



## 24. КОНТРОЛЬ ОТХОДЯЩИХ ГАЗОВ

При необходимости контроля отходящих газов котлы с принудительной тягой имеют две точки замера, расположенных на коаксиальной входной муфте.

Одна из них находится на вытяжном дымоходе и позволяет контролировать соответствие отходящих газов гигиеническим нормам.

Вторая точка замера находится на трубе забора воздуха и позволяет определить наличие продуктов сгорания в забираемом воздухе при использовании коаксиальной системы труб.

В точках замера определяют:

- температуру продуктов сгорания
- содержание кислорода ( $O_2$ ) или, наоборот, двуокиси углерода ( $CO_2$ )
- содержание окиси углерода (CO)

Температура подаваемого воздуха определяется в точке замера на подаче воздуха в коаксиальной входной муфте.

**Примечание:** для регулирования максимальной мощности смотри главу 19 (С).

Если необходим контроль отходящих газов в моделях с естественной тягой в, то в дымоходе следует проделать отверстие на расстоянии от котла, равном двум внутренним диаметрам трубы.

В точке замера определяют:

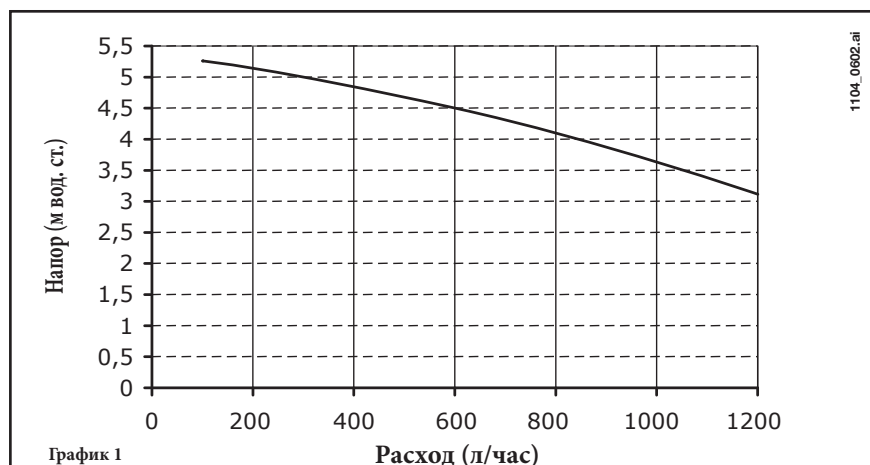
- температуру продуктов сгорания
- содержание кислорода ( $O_2$ ) или, наоборот, двуокиси углерода ( $CO_2$ )
- содержание окиси углерода (CO)

Замер температуры поступающего воздуха проводится рядом с местом входа воздуха в котел.

Отверстие проделывается установщиком при первоначальной установке агрегата и должно быть затем герметично заделано, чтобы избежать просачивания продуктов сгорания при нормальной работе.


## 25. ХАРАКТЕРИСТИКИ РАСХОД/НАПОР

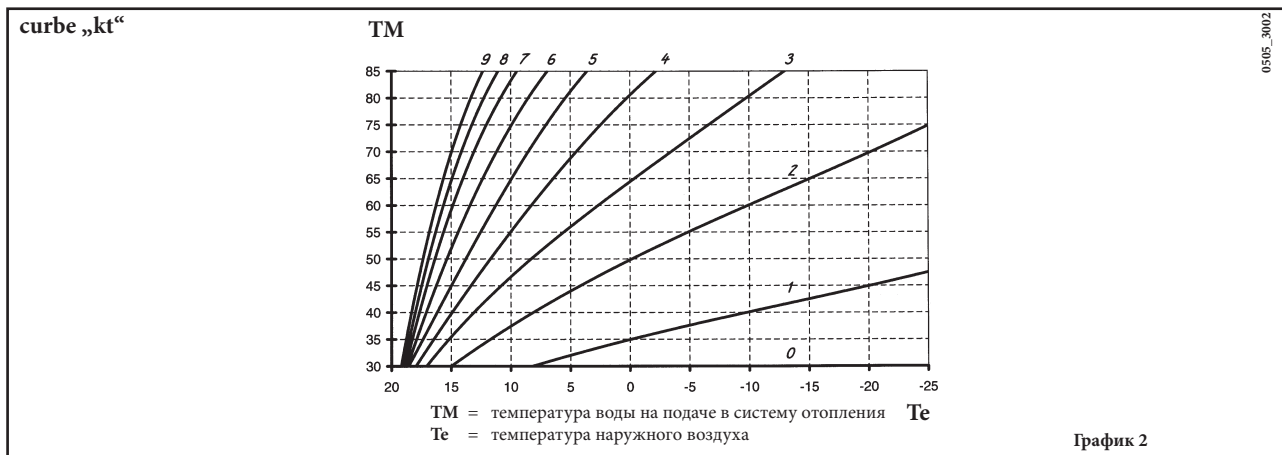
Высокопроизводительный насос подходит для установки в любой отопительной однотрубной или двухтрубной системе. Встроенный в него клапан воздухоотводчик позволяет эффективно удалять находящийся в отопительной системе воздух. Нижеприведенные характеристики уже учитывают гидравлическое сопротивление элементов котла.





## 26. ПРИСОЕДИНЕНИЕ ДАТЧИКА УЛИЧНОЙ ТЕМПЕРАТУРЫ

Из проводов, которые выходят из приборного щитка, два провода КРАСНОГО цвета оснащены изолированными ножевыми контактами. Подсоединить датчик уличной температуры к данным проводам. При подсоединенном датчике уличной температуры с помощью кнопок +/-  можно установить заданный коэффициент дисперсии Kt (график 2).



## 27. ЕЖЕГОДНОЕ ТЕХНИЧЕСКОЕ ОБСЛУЖИВАНИЕ

Для правильной и надежной работы котла необходимо ежегодно проверять:

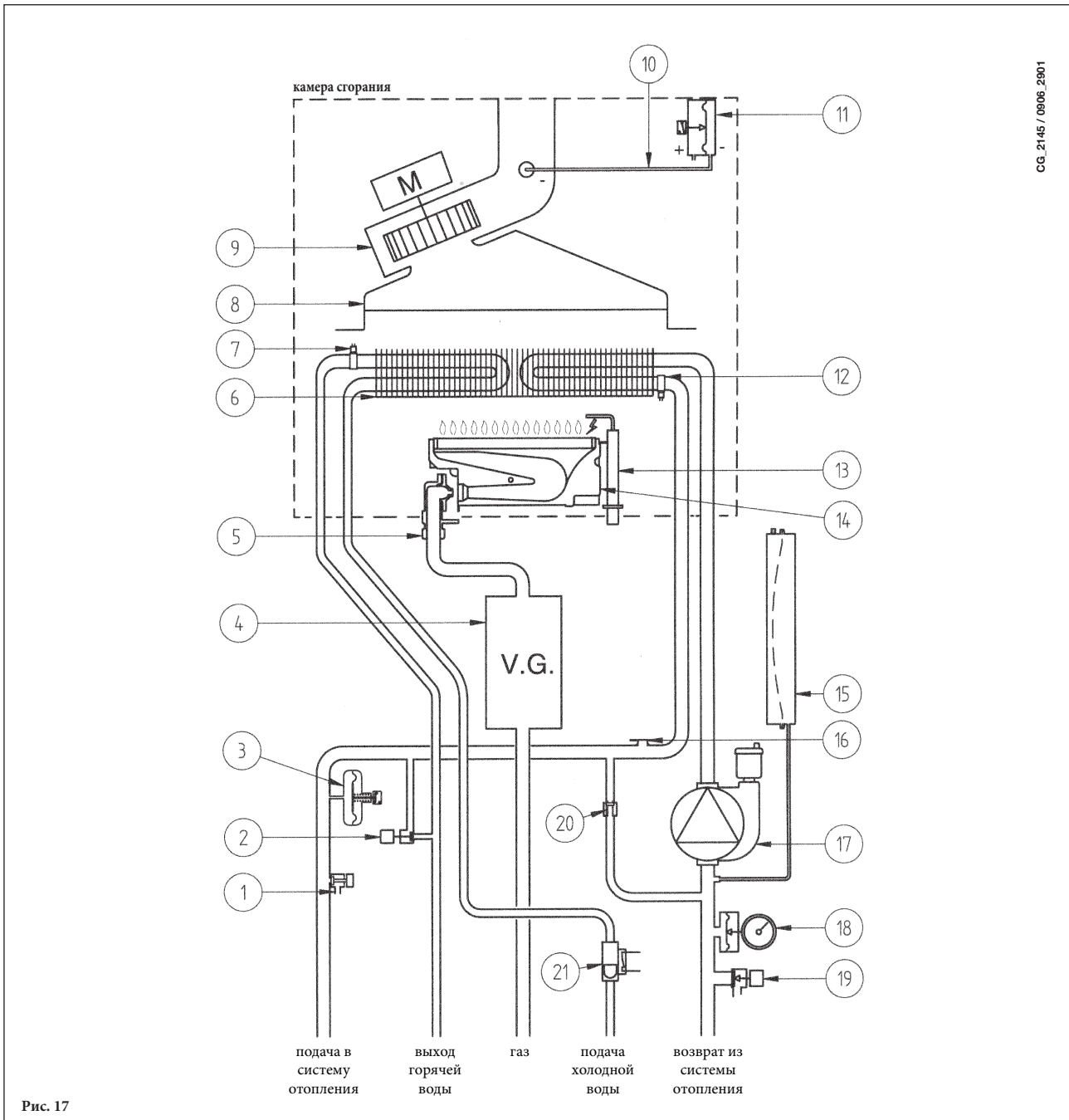
- внешний вид и непроницаемость прокладок газового контура и камеры сгорания;
- состояние и правильное положение электрода зажигания и электрода-датчика пламени;
- состояние горелки и ее крепление к алюминиевому фланцу;
- отсутствие грязи внутри камеры сгорания. Для чистки используйте пылесос;
- правильную настройку газового клапана;
- давление в системе отопления;
- давление в расширительном баке;
- правильную работу вентилятора;
- отсутствие загрязнений внутри дымохода и воздуховода.

### ВНИМАНИЕ

Перед проведением любых работ убедитесь, что котел отключен от электропитания.

По завершению технического осмотра установить параметры работы котла в начальные позиции.

## 28. ФУНКЦИОНАЛЬНЫЕ СХЕМЫ

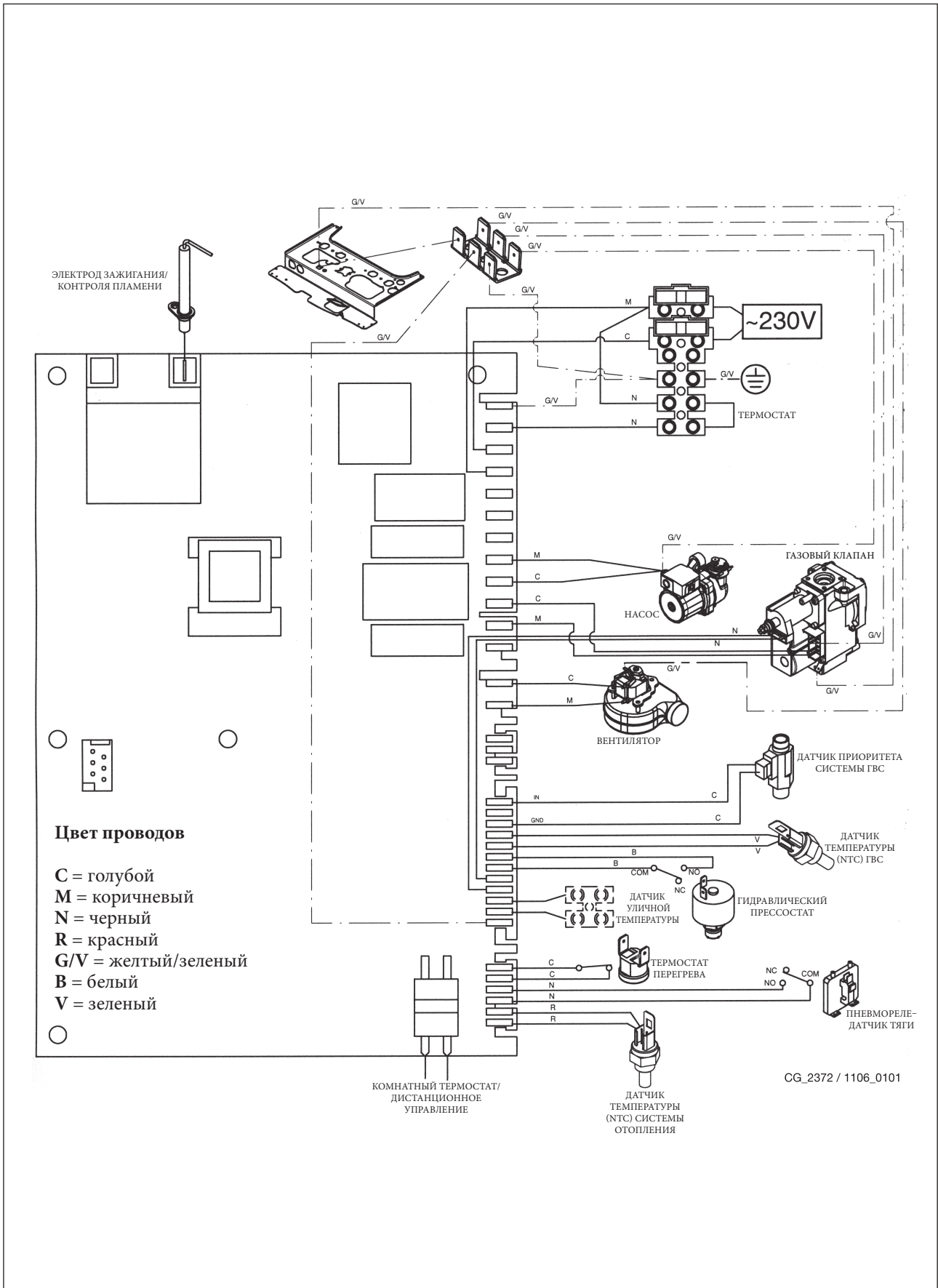


CG\_2145 / 0906\_2901

### Обозначения:

- |    |  |    |  |
|----|--|----|--|
| 1  | кран слива воды из котла                 | 12 | датчик температуры (тип NTC) контура отопления |
| 2  | кран заполнения системы отопления        | 13 | электрод зажигания/контроля пламени            |
| 3  | гидравлический прессостат                | 14 | горелка  |
| 4  | газовый клапан                           | 15 | расширительный бак                             |
| 5  | рампа подачи газа с форсунками           | 16 | термостат перегрева                            |
| 6  | первичный теплообменник                  | 17 | насос с автоматическим воздухоотводчиком       |
| 7  | датчик температуры (тип NTC) контура ГВС | 18 | манометр                                       |
| 8  | дымовой колпак                           | 19 | сбросной предохранительный клапан (3 бар)      |
| 9  | вентилятор                               | 20 | автоматическом байпасе                         |
| 10 | точка отрицательного давления            | 21 | датчик приоритета контура ГВС                  |
| 11 | пневмореле – датчик тяги                 |    |  |

# 29. СХЕМЫ ЭЛЕКТРИЧЕСКИХ СОЕДИНЕНИЙ



## 30. ТЕХНИЧЕСКИЕ ДАННЫЕ

### Модель MAINFOUR 240F

Категория			П <sub>нзр</sub>
Максимальная потребляемая тепловая мощность	кВт		25,8
Минимальная потребляемая тепловая мощность	кВт		10,6
Максимальная полезная тепловая мощность	кВт		24
	ккал/час		20.600
Минимальная полезная тепловая мощность	кВт		9,3
	ккал/час		8.000
КПД согласно 92/42/ CEE	—		★★★
Максимальное давление в системе отопления	бар		3
Объем расширительного бака	л		6
Давление в расширительном баке	бар		1
Максимальное входное давление холодной воды	бар		8
Минимальное давление в контуре ГВС	бар		0,15
Минимальный расход воды в контуре ГВС	л/мин		2,0
Количество горячей воды при $\Delta T=25^{\circ}\text{C}$	л/мин		13,7
Количество горячей воды при $\Delta T=35^{\circ}\text{C}$	л/мин		9,8
Количество горячей воды согласно EN 625	л/мин		11
Диапазон температур воды в контуре отопления	$^{\circ}\text{C}$		30/76
Диапазон температур воды в системе ГВС	$^{\circ}\text{C}$		35/55
Тип	—		C12-C32-C42-C52-C82-B22
Диаметр коаксиального дымохода	мм		60
Диаметр коаксиального воздуховода	мм		100
Диаметр раздельного дымохода	мм		80
Диаметр раздельного воздуховода	мм		80
Диаметр дымохода	мм		-
Максимальный расход отходящих газов	кг/с		0,016
Минимальный расход отходящих газов	кг/с		0,016
Максимальная температура отходящих газов	$^{\circ}\text{C}$		149
Минимальная температура отходящих газов	$^{\circ}\text{C}$		119
Класс NO <sub>x</sub>	—		3
Тип газа	—		G20
	—		G31
Номинальное давление подачи природного газа G 20 (метан)	мбар		20
Номинальное давление подачи сжиженного газа G31 (пропан)	мбар		37
Напряжение электропитания	В		230
Частота питающей сети	Гц		50
Номинальная электрическая мощность	Вт		130
Масса Нетто	кг		31
Габариты	высота	мм	730
	ширина	мм	400
	глубина	мм	299
Уровень защиты от внешних воздействий (согласно EN60529)			IP X5D

Компания ВАХІ, постоянно работая над усовершенствованием предлагаемой продукции, оставляет за собой право без предварительного уведомления вносить необходимые технические изменения в свою продукцию. Настоящее руководство поставляется в качестве информативной поддержки и не может считаться контрактом в отношении третьих лиц.

Tisztelt Vásárló!

Társaságunk meg van győződve arról, hogy az új kazánja minden igényét ki fogja elégíteni.

Egy **BAXI** termék megvásárlása biztosítja mindazt, amit Ön elvár: jó működést, egyszerű, racionális használatot.

Azt kérjük Öntől ne tegye félre a jelen kézikönyvet amíg nem olvasta: a kazán helyes és hatékony használatához hasznos információkat talál benne.

A csomagolóanyagokat (műanyag zacskók, polisztirol, stb.) gyermekektől távol kell tartani, mert veszélyforrást jelentenek

A **BAXI** kijelenti, hogy ezek a modellek rendelkeznek a CE márkajelzéssel, amely az alábbi irányelvek lényegi előírásainak teljesítését igazolja:

- 2009/142/EK Gáz irányelv
- 92/42/EGK Hozam irányelv
- 2004/108/EK Elektromágneses kompatibilitás irányelv
- 2006/95/EK Kis feszültség irányelv



## TARTALOMJEGYZÉK

### A FELHASZNÁLÓNAK SZÓLÓ UTASÍTÁSOK

1. A felszerelést megelőzően érvényes figyelmeztetések	92
2. A működésbe helyezést megelőzően érvényes figyelmeztetések	92
3. A kazán működésbe helyezése	93
4. A környezeti hőmérséklet és a hálózati melegvíz hőmérséklet szabályozása	93
5. A  (Nyár - Tél - Csak fűtés - Kikapcsolva) leírása	94
6. A berendezés feltöltése	94
7. A kazán kikapcsolása	94
8. Gázcsere	94
9. A berendezés leállítása hosszabb időre. Fagyvédelem (fűtési kör)	95
10. Jelzések - Biztonsági egységek közbelépése	95
11. Rendes karbantartási utasítások	95

### A FELSZERELÉST VÉGZŐ SZAKEMBERNEK SZÓLÓ UTASÍTÁSOK

12. Általános figyelmeztetések	96
13. A beszerelést megelőzően érvényes figyelmeztetések	96
14. A kazán beszerelése	97
15. A kazán méretei	97
16. Kivezető és beszívó csővezetékek beszerelése	98
17. Elektromos bekötés	102
18. A szobatermosztát bekötése	102
19. A gázcsere módozata	103
20. Az elektronikus kártya paramétereinek megjelenítése a kazán kijelzőjén ("info" funkció)	105
21. A paraméterek beállítása	106
22. Szabályozó és biztonsági egységek	107
23. Gyújtóelektróda elhelyezés és lángörzés	108
24. Az égési paraméterek ellenőrzése	108
25. Vízkapacitás/vízoszlop nyomómagasság jellemzők	108
26. A külső szonda csatlakoztatása	109
27. Éves karbantartás	109
28. A körök funkcionális ábrája	110
29. Kapcsolók bekötési rajza	111
30. Műszaki jellemzők	112



**BAXI**, a magas technológiájú kazánok és fűtési rendszerek gyártásának egyik vezető európai képviselője rendelkezik a CSQ bizonyítvánnyal a minőségirányítási rendszerek (ISO 9001), a környezet (ISO 14001) és az egészség, valamint a biztonság (OHSAS 18001) tekintetében. Ez azt igazolja, hogy **BAXI S.p.A.** saját stratégiai céljainak ismeri el a környezet védelmét, termékeinek megbízhatóságát és minőségét, illetve dolgozóinak egészségét és biztonságát. A vállalat szervezetén keresztül gondoskodik ezen szempontok folyamatos fejlesztéséről, ügyfelei igényeinek minél jobb kielégítése céljából



# 1. A FELSZERELÉST MEGELŐZŐEN ÉRVÉNYES FIGYELMEZTETÉSEK

Ez a kazán víznek a légköri nyomáson érvényes forráspontnál alacsonyabb hőmérsékletre történő melegítését szolgálja. A kazánt szolgáltatásának és teljesítményének megfelelő fűtőberendezésre, és használati melegvizet szolgáltató hálózatra kell csatlakoztatni. Mielőtt szakemberrel beköttené a kazánt, az alábbiakat kell végrehajtani:

- a) Ellenőrizze, hogy a kazán a rendelkezésre álló gáztípussal való működésre van-e előkészítve. Ezt a csomagoláson található feliratról, illetve a berendezésen lévő adattábláról lehet leolvasni.
- b) Ellenőrizze, hogy a kémény huzata megfelelő-e, nincs-e eltömődve, illetve, hogy a füstcsőbe más berendezés ne legyen bekötve kivéve, ha a füstcsövet a vonatkozó szabványoknak és az érvényes előírásoknak megfelelően több berendezés kiszolgálására építették.
- c) Ellenőrizze, hogy, hogy amennyiben már korábban meglévő füstcsőbe történik a bekötés, az gondosan meg legyen tisztítva, mivel működés közben az esetleges korom leválása elzárhatja a füst útját.
- d) A készülék helyes üzemeltetésének bizottsítására és a garancia érvényessége érdekében elengedhetetlen az alábbi óvintézkedések betartása:

## 1. Melegvíz hálózat:

- 1.1. Ha a víz keménysége nagyobb, mint 20 °F (1 °F = 10 mg kalcium karbonát / 1 liter víz), akkor egy polifoszfát adagoló, vagy egy a hatályos normatíváknak megfelelő ezzel egyenértékű rendszer beszerelését írjuk elő.
- 1.2. A készülék beszerelését követően, és annak használata előtt a rendszert alaposan át kell mosni.
- 1.3. A termék használati melegvíz hálózatához használt anyagok megfelelnek a 98/83/EK direktívának.

## 2. Fűtési hálózat

### 2.1. Új berendezés

A kazán beszerelése előtt a rendszert alaposan meg kell tisztítani a maradék menetvágási forgács, forrasanyag és esetleges oldószerek eltávolítása céljából, a kereskedelemben kapható nem savas és nem lúgos megfelelő termékeket használva e célra, melyek nem károsítják a fémeket és a műanyag, valamint gumi részeket. A tisztításhoz javasolt termékek: SENTINEL X300 vagy X400 és FERNOX fűtőberendezés helyreállító. Ezen termékek használata során szigorúan kövesse a vele adott útmutatásokat.

### 2.2. Meglévő berendezés:

A kazán beszerelése előtt a rendszert teljesen ki kell üríteni és megfelelően meg kell tisztítani iszaptól és szennyeződésektől a 2.1 fejezetben ismertetett, kereskedelemben kapható erre alkalmas termékek használatával. A rendszer lerakódásoktól történő védelme érdekében olyan védőszereket kell használni, mint a SENTINEL X100 és FERNOX fűtőberendezés védő. Ezen termékek használata során szigorúan kövesse a velük adott útmutatásokat.

Ne feledje, hogy a fűtőberendezésben lerakódások jelenléte működési problémákat okoz a kazánban (például a hőcserélő túlmelegedése és zajosság).

---

A fenti figyelmeztetések betartásának elmulasztása a készülék garanciájának elvesztését vonja maga után.

---

# 2. A MŰKÖDÉSBE HELYEZÉST MEGELŐZŐEN ÉRVÉNYES FIGYELMEZTETÉSEK

Az első begyújtást a felhatalmazott Szervizközpontnak kell végeznie, melynek során az alábbiakat kell ellenőrizni:

- a) Az adattábla adatai meg kell feleljenek a hálózati (elektromos, víz, gáz) adatoknak.
- b) A beszerelés az érvényes szabványoknak megfelelően kerül eszközzésre.
- c) Az elektromos hálózat és a földelés bekötése szabályosan megtörtént.

A felhatalmazott Szervizközpontok jegyzéke a mellékelt lapon került feltüntetésre.

A fentiek be nem tartása esetén a garancia érvényét veszti.

Mielőtt működésbe állítja a kazánt, távolítsa el a védőfóliát. Ehhez ne használjon karcoló szerszámot vagy anyagot, mert ez megsértheti a festett részeket.

---

*A készüléket nem használhatják olyan személyek (gyermeket ideértve) akik csökkent fizikai, érzéki vagy szellemi képességgel rendelkeznek, vagy nem rendelkeznek megfelelő tapasztalattal és tudással, hacsak egy felelős személy közvetítésén keresztül nem kerül garantsításra a biztonságuk illetve felügyeletük, vagy a készülék használatára vonatkozóan fel nem világosították őket.*

---

### 3. A KAZÁN MŰKÖDÉSBE HELYEZÉSE

A bekapcsolás helyes műveleti sorrendjének betartásához az alábbiak szerint járjon el:

- 1) helyezze áram alá a kazánt;
- 2) nyissa ki a gázcsapot;
- 3) nyomja be a (🔌) gombot és helyezze a kazánt Nyár (☀️), Tél (❄️) vagy csak fűtés (🔥) módozatra;
- 4) a (+/-) gomb segítségével állítsa be a fűtési kör (🔥) és a használati melegvíz (🚿) hőmérsékletét úgy, hogy ezzel a főéget meggyulladjon.

Amikor a kazánt meggyújtotta a kijelzőn a (🔥) jelzés tűnik fel.

Nyár (☀️) működési állásban a főéget csak használati melegvíz vétel esetén gyullad meg.

#### FIGYELMEZTETÉS

Az első bekapcsoláskor, amíg a gázcsőben lévő levegő leeresztése meg nem történik, előfordulhat, hogy az égő nem gyullad be, és emiatt a kazán leáll. Ez esetben javasoljuk, hogy ismétlje meg a bekapcsolási műveleteket, egészen addig amíg a gáz el nem ér az égőhöz úgy, hogy az (R), gombot legalább 2 másodpercre benyomja.

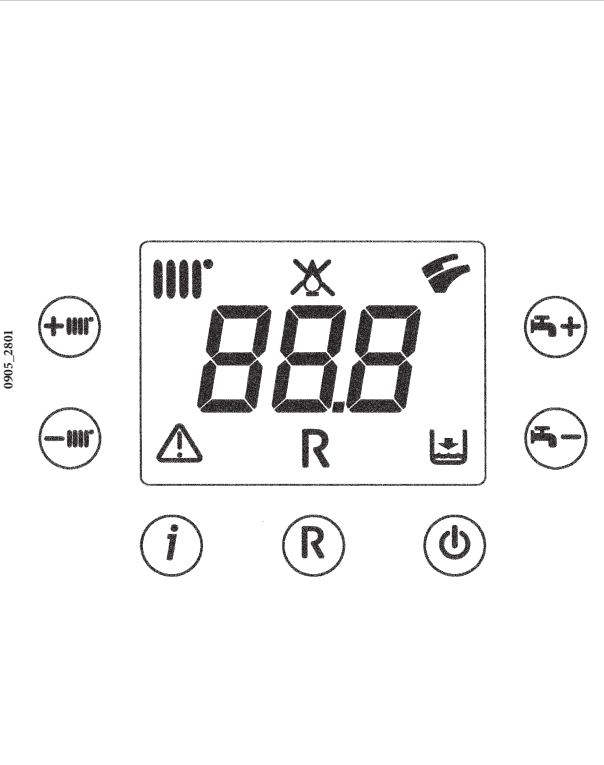
**JELMAGYARÁZAT**

- 🔥 Fűtési üzemmód
- 🔥 Láng jelenlét (égő ég)
- ❌ Láng elaludt (nincs begyújtás)
- 🚿 Használati melegvíz üzemmód
- ⚠️ Általános rendellenesség
- R RESET
- 🚿 Nincs víz (Berendezés nyomás alacsony)
- 888 Számjelzés (hőmérséklet, rendellenesség kód, stb.)

**NYOMÓGOMB MAGYARÁZAT**

- 🔌 Bekapcsolás / Kikapcsolás / Nyár / Tél
- 🔥 (+/-) : Fűtési hőmérséklet szabályozás
- 🚿 (+/-) : Használati melegvíz hőmérséklet szabályozás
- R Reset
- i Információk

0905\_2801



1. ábra

### 4. A KÖRNYEZETI HŐMÉRSÉKLET ÉS A HÁLÓZATI MELEGVÍZ HŐMÉRSÉKLET SZABÁLYOZÁSA

A berendezést szobatermosztáttal kell ellátni az egyes helyiségek hőmérsékletének szabályozása céljából.

A környezeti hőmérséklet (🔥) és a használati melegvíz (🚿) hőmérséklet szabályozása a vonatkozó +/- gombok segítségével eszközölhető (1. ábra.) Az égő meggyulladását a kijelzőn az (🔥) szimbólum jelzi a 3.1 fejezetben ismerttetetteknek megfelelően.

#### FŰTÉS

A kazán fűtési üzemmódja alatt a kijelzőn (1. ábra) a villogó (🔥) jelzés, valamint az odairányú fűtési hőmérséklet (°C) tűnik fel.

#### HASZNÁLATI MELEGVÍZ

A kazán használati melegvíz üzemmódja alatt a kijelzőn (1. ábra) a villogó (🚿) jelzés, valamint a távozó használati melegvíz hőmérséklete (°C) tűnik fel.





## 5. A GOMB (Nyár - Tél - Csak fűtés - Kikapcsolva) LEÍRÁSA



Ezen gomb benyomásával a kazán alábbi működési módjai állíthatók be:

- NYÁR
- TÉL
- CSAK FŰTÉS
- KIKAPCSOLVA

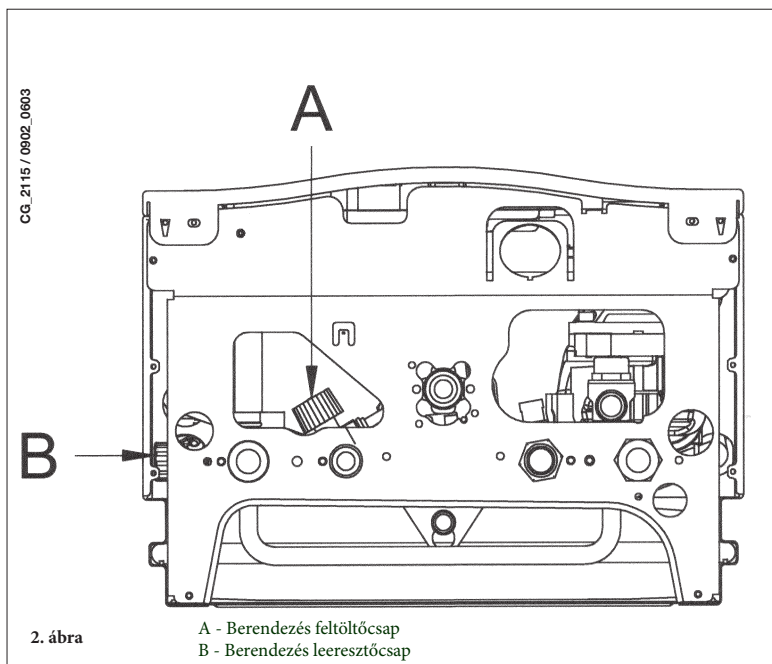
A **NYÁR** álláson a kijelzőn a  szimbólum tűnik fel. A kazán csak a melegvíz igényt elégíti ki és a fűtés NEM működik (környezeti fagyásgátló funkció aktív).

A **TÉL** álláson a kijelzőn a   szimbólumok tűnnek fel. A kazán kielégíti úgy a melegvíz, mint a fűtési igényt (környezeti fagyásgátló funkció aktív).

A **CSAK FŰTÉS** álláson a kijelzőn a  szimbólum tűnik fel. A kazán csak a fűtési igényt elégíti ki (környezeti fagyásgátló funkció aktív).

A **KIKAPCSOLVA** állás esetén a kijelző a két  és  szimbólum egyikét sem tünteti fel. Ebben a módozatban csak a környezeti fagyásgátló funkció aktív, egyetlen más melegvíz, vagy fűtési igény sem kerül kielégítésre.

## 6. A BERENDEZÉS FELTÖLTÉSE



### FIGYELMEZTETÉS

Áramtalanítsa a kazánt a kétpólusú kapcsoló segítségével.

**FONTOS:** A manométeren rendszeresen ellenőrizze, hogy a hideg berendezés nyomása 0,7 - 1,5 bar között legyen. Túlnyomás esetén a kazán leeresztő csapját kell megnyitni. Ennél alacsonyabb nyomás esetén a kazán feltöltő csapját kell megnyitni (3. ábra).

Javasoljuk, hogy a csap nyitását nagyon lassu végezze, elősegítve ezáltal a levegő leeresztését.

A kazán vízpresszosztáttal rendelkezik, mely vízkimaradás esetén megakadályozza a kazán működését.

**MEGJEGYZÉS:** Ha gyakran fordul elő nyomáscsökkenés kérje a felhatalmazott Szervizközpont segítségét.

## 7. A KAZÁN KIKAPCSOLÁSA

A kazán kikapcsolásához meg kell szakítani a készülék elektromos energiaellátását. A "KIKAPCSOLVA" üzemmódban (5. fejezet), a kazán kikapcsol (a kijelző az OFF kiírást tünteti fel), de az áramkörök feszültség alatt maradnak, és a fagymentesítő funkció aktív (9. fejezet).

## 8. GÁZCSERE

A kazánok úgy földgázzal, mint LPG gázzal működhetnek.

Amennyiben a kazánt át kell állítani, forduljon a felhatalmazott Szervizközponthoz.

## 9. A BERENDEZÉS LEÁLLÍTÁSA HOSSZABB IDŐRE. FAGYVÉDELEM

Általában célszerű elkerülni a teljes fűtőberendezés víztelenítését, mivel a vízcsera a kazánban és a melegítőtestekben fokozza a fölösleges és káros vízkőlerakódást.

Ha télen a fűtőberendezést nem használjuk, és fagyveszély van, tanácsos a berendezésben lévő vizet erre a célra szolgáló fagyállóval keverni (pl. propilén-glikol vízkőoldóval és rozsdamentesítővel társítva).

A kazán elektronikus vezérlésébe egy "fagymentes" funkció van beépítve, amely 5 °C-nál alacsonyabb odairányú hőmérséklet esetén az égőt addig működteti, amit az odairányú hőmérséklet el nem éri a 30 °C-ot.

Ez a funkció akkor áll készenlétben ha:

- \* a kazán áram alatt van;
- \* van gáz;
- \* a berendezés nyomása az előírás szerinti;
- \* a kazán nem blokkolt le.

## 10. JELZÉSEK - BIZTONSÁGI EGYSÉGEK KÖZBELÉPÉSE

A rendellenességeket a kijelzőn egy hibakód tünteti fel (például E01):



A kazán RESETÁLÁSÁHOZ (újra indításához) nyomja be legalább 2 másodpercre az "R" gombot. Ezen egység ismétlődő beavatkozása esetén lépjen kapcsolatba a felhatalmazott Szervizközponttal.

**Megjegyzés:** 5 egymás utáni resetálási (újra indítási) próbálkozást lehet eszközölni, melyet követően a kazán leblokkolt állapotban marad. Egy újabb próbálkozáshoz a kazánt néhány másodpercre ki kell kapcsolni.

FELTÜNTETETT KÓDSZÁM	RENDELLENESÉG	TENNIVALÓ
E01	Be nem gyulladás miatti leblokkolás	Nyomja be legalább 2 másodpercre az "R" gombot. Ezen egység ismétlődő beavatkozása esetén hívja az engedéllyel rendelkező Szervizközpontot.
E02	Biztonsági termosztát beavatkozás miatti leblokkolás	Nyomja be legalább 2 másodpercre az "R" gombot. Ezen egység ismétlődő beavatkozása esetén hívja az engedéllyel rendelkező Szervizközpontot.
E03	Füst termosztát/füst presszosztát beavatkozás	Hívja az engedéllyel rendelkező Szervizközpontot
E04	Leblokkolás 6 egymást követő lángvesztés miatt	Nyomja be legalább 2 másodpercre az "R" gombot. Ezen egység ismétlődő beavatkozása esetén hívja az engedéllyel rendelkező Szervizközpontot.
E05	Odairányú szonda meghibásodás	Hívja az engedéllyel rendelkező Szervizközpontot
E06	Használati melegvíz szonda meghibásodás	Hívja az engedéllyel rendelkező Szervizközpontot
E10	Hidraulikus presszosztát engedélyezés hiánya	Ellenőrizze, hogy a berendezés nyomása megfeleljen az előírtakénak. Ha a rendellenesség továbbra is fennáll, hívja az engedéllyel rendelkező Szervizközpontot.
E25/E26	Biztonsági beavatkozás valószínű szivattyú leblokkolás miatt	Hívja az engedéllyel rendelkező Szervizközpontot
E27	Használati melegvíz szonda hibás helyzete.	Nyomja be legalább 2 másodpercre az "R" gombot. Ezen egység ismétlődő beavatkozása esetén hívja az engedéllyel rendelkező Szervizközpontot
E32	Vízkezelő vészjelzés	Hívja az engedéllyel rendelkező Szervizközpontot
E35	Parazita láng (hibás láng)	Nyomja be legalább 2 másodpercre az "R" gombot. Ezen egység ismétlődő beavatkozása esetén hívja az engedéllyel rendelkező Szervizközpontot.
E96	Feszültségcsökkenés miatti kikapcsolás	A RESET automatikusan történik. Amennyiben a rendellenesség továbbra is fennáll, hívja az engedéllyel rendelkező Szervizközpontot.

**MEGJEGYZÉS:** Rendellenesség esetén a kijelző háttér a kijelzett hibakóddal egyidejűleg villog.

## 11. RENDES KARBANTARTÁSI UTASÍTÁSOK

A kazán tökéletes működési és biztonsági hatékonyságának biztosításához minden szezon végén felül kell vizsgáltatni a felhatalmazott Szervizközponttal.

A gondos karbantartás hozzájárul a berendezés gazdaságos üzemeltetéséhez.

A berendezés külső tisztításához ne használjon súrolószert, agresszív és/vagy gyúlékony anyagot (pl. benzin, alkohol, stb.), a tisztítást üzemen kívül helyezett berendezésnél kell végezni (lásd a "kazán kikapcsolása" 7. fejezetet).

## 12. ÁLTALÁNOS FIGYELMEZTETÉSEK

Az alábbi műszaki leírások és utasítások a beszerelést végző szakembernek szólnak, hogy tökéletesen tudja elvégezni a beszerelést. A kazán begyújtására és használatára vonatkozó útmutatásokat a felhasználónak szóló rész tartalmazza.

A beszerelést végző szakembernek a fűtőberendezések szereléséhez megfelelő képzéssel kell rendelkeznie. Ezen felül az alábbiakat is figyelembe kell venni:

- A kazánt bármely típusú, egy vagy két csővel táplált fűtőlappal, radiátorral vagy konvektorral lehet működtetni. A kör keresztmetszetét minden esetben a normál módszerekkel kell számítani, figyelembe véve a 25. fejezetben megadott rendelkezésre álló vízkapacitás/vízoszlop nyomómagasság jellemzőket.
- A csomagolóanyagokat (műanyag zacskók, polisztirol, stb.) gyermekektől távol kell tartani, mert veszélyforrást jelentenek.
- Az első begyújtást a felhatalmazott Szervizközpontnak kell végeznie, a mellékelt lap szerint.

A fentiek be nem tartása esetén a garancia érvényét veszti.

### FIGYELMEZTETÉS - KIEGÉSZÍTŐ SZIVATTYÚ

A fűtési berendezésen történő kiegészítő szivattyú használata esetén azt a kazán visszairányú körén helyezze el. Mindezt a víz presszosztát megfelelő működésének lehetővé tétele céljából.

### FIGYELMEZTETÉS

Egy azonnali használati melegvizet szolgáltató (vegyes) kazán napelemes berendezésre csatlakoztatásánál a kazánba belépő használati melegvíz maximális hőmérséklete nem lépheti túl a 60 °C-ot.

## 13. A BESZERELÉST MEGELŐZŐEN ÉRVÉNYES FIGYELMEZTETÉSEK

Ez a kazán víznek a légköri nyomáson érvényes forráspontnál alacsonyabb hőmérsékletre történő melegítését szolgálja. A kazánt szolgáltatásának és teljesítményének megfelelő fűtőberendezésre, és használati melegvizet szolgáltató hálózatra kell csatlakoztatni.

A kazán bekötése előtt az alábbiakat kell eszközölni:

- a) Ellenőrizni kell, hogy a kazán a rendelkezésre álló gáztípussal való működésre van-e előkészítve. Ezt a csomagoláson található feliratról, illetve a berendezésen lévő adattábláról lehet leolvasni.
- b) Ellenőrizni kell, hogy a kémény huzata megfelelő-e, nincs-e eltömődve, illetve, hogy a füstcsőbe más berendezés ne legyen bekötve kivéve, ha a füstcsövet a vonatkozó szabványoknak és az érvényes előírásoknak megfelelően több berendezés kiszolgálására építették.
- c) Ellenőrizni kell, hogy amennyiben már korábban meglévő füstcsőbe történik a bekötés, az gondosan meg legyen tisztítani, mivel működés közben az esetleges korom leválása elzárhatja a füst útját.

Ezen kívül a megfelelő működés és a garancia érvényessége szempontjából elengedhetetlenek az alábbi óvintézkedések:

#### 1. Melegvíz hálózat:

- 1.1. Ha a víz keménysége nagyobb, mint 20 °F (1 °F = 10 mg kalcium karbonát / 1 liter víz), akkor egy polifoszfát adagoló, vagy egy a hatályos normatívának megfelelő ezzel egyenértékű rendszer beszerelését írjuk elő.
- 1.2. A készülék beszerelését követően, és annak használata előtt a rendszert alaposan át kell mosni.
- 1.3. A termék használati melegvíz hálózatához használt anyagok megfelelnek a 98/83/EK direktívának.

#### 2. Fűtési hálózat

##### 2.1. Új berendezés

A kazán beszerelése előtt a rendszert alaposan meg kell tisztítani a maradék menetvágási forgács, forrasanyag és esetleges oldószerek eltávolítása céljából, a kereskedelemben kapható nem savas és nem lúgos megfelelő termékeket használva e célra, melyek nem károsítják a fémeket és a műanyag, valamint gumi részeket. A tisztításhoz javasolt termékek: SENTINEL X300 vagy X400 és FERNOX fűtőberendezés helyreállító. Ezen termékek használata során szigorúan kövesse a vele adott útmutatásokat.

##### 2.2. Meglévő berendezés:

A kazán beszerelése előtt a rendszert teljesen ki kell üríteni és megfelelően meg kell tisztítani iszaptól és szennyeződésektől a 2.1 fejezetben ismertetett, kereskedelemben kapható erre alkalmas termékek használatával. A rendszer lerakódásoktól történő védelme érdekében olyan védőszereket kell használni, mint a SENTINEL X100 és FERNOX fűtőberendezés védő. Ezen termékek használata során szigorúan kövesse a velük adott útmutatásokat.

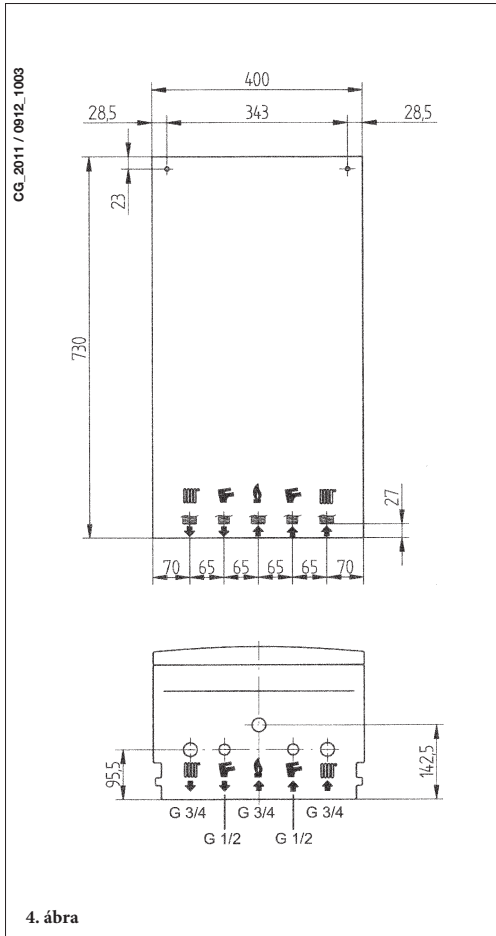
Ne feledje, hogy a fűtőberendezésben lerakódások jelenléte működési problémákat okoz a kazánban (például a hőcserélő túlmelegedése és zajosság).

---

A fenti figyelmeztetések betartásának elmulasztása a készülék garanciájának elvesztését vonja maga után.

---

## 14. A KAZÁN BESZERELÉSE



Miután meghatározta a kazán pontos helyét, rögzítse a falra a sablont. A sablon alsó átlójánál lévő víz- és gázcsatlakozások állásainál kezdje a berendezés bekötését.

Javasoljuk, hogy a fűtési körre két (egy oda- és egy visszairányú) G3/4-es külön kapható elzárócsapot építsen be, mivel ez lehetővé teszi, hogy nagyjavításnál ne kelljen a teljes fűtőberendezést leereszteni.

Már meglévő berendezés és csere esetén a fentiekén túlmenően javasoljuk, hogy a kazán visszairányú köréhez és alul egy ülepítőedényt helyezzen el melynek célja, hogy az átmosást követően is a rendszerben maradjon és idővel a rendszerbe visszakerülő lerakódásokat, illetve salakot összegyűjtse.

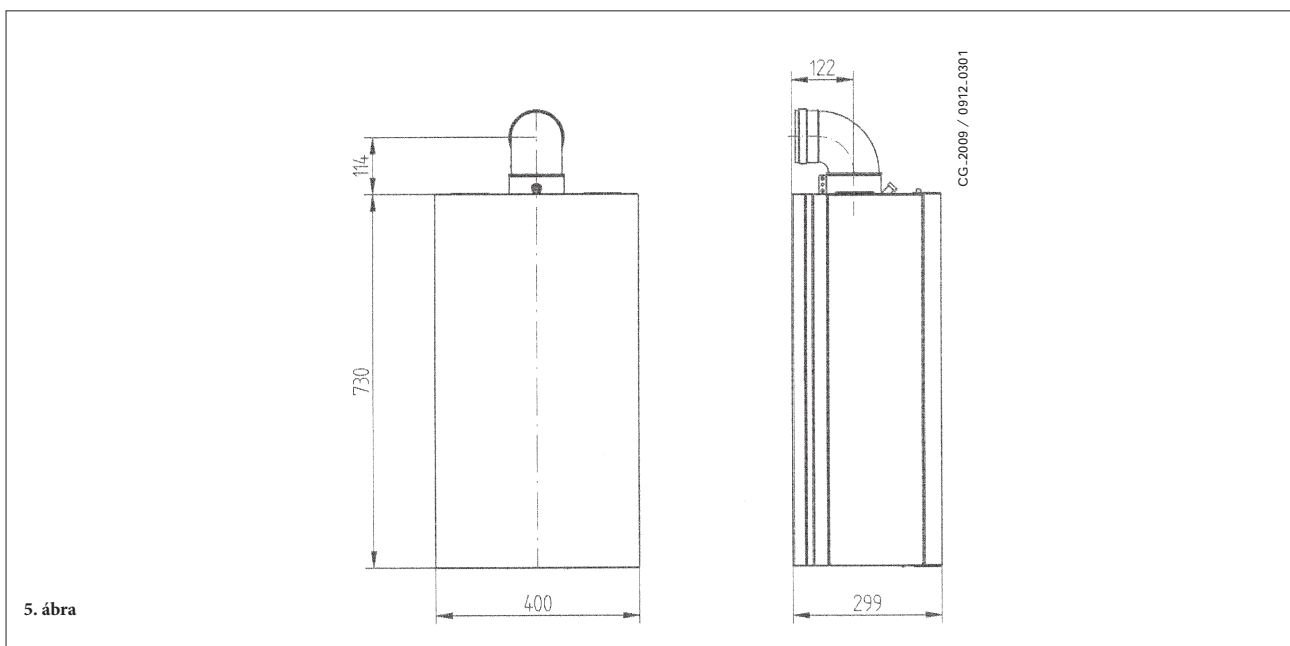
Miután a kazánt a falra rögzítette, az alábbi fejezetekben található leírás alapján kösse be a kivezető és beszívó csővezetékeket, melyeket kiegészítőként szállítunk a következő fejezetekben ismertetetteknek megfelelően.

	G"3/4 fűtés odairány
	G"3/4 fűtőberendezés visszairány
	G"1/2 használati melegvíz kimenet
	G"1/2 használati hidegvíz bemenet
	G"3/4 gáz kazánbemenet

### FIGYELMEZTETÉS

Óvatosan végezze a hidraulikus csatlakozók kazán kapcsolócsövére történő kötését (maximális rögzítési nyomaték 30 Nm).

## 15. A KAZÁN MÉRETEI

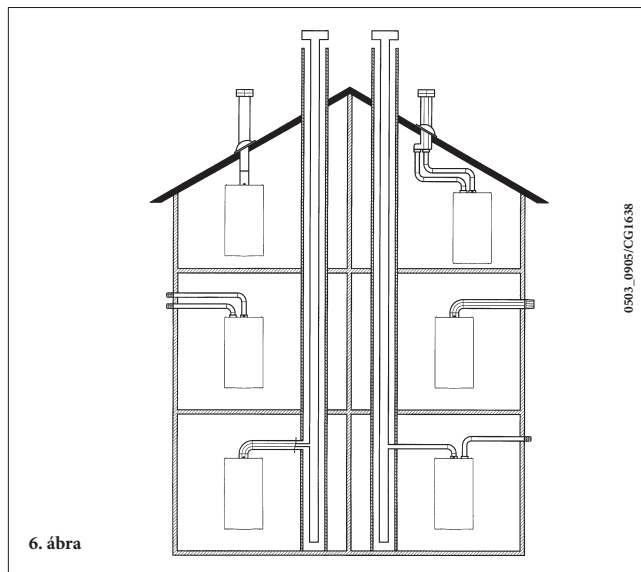


## 16. KIVEZETŐ ÉS BESZÍVÓ CSŐVEZETÉKEK BESZERELÉSE

Az alábbiakban bemutatott és a kazánhoz kiegészítőként szállított alkatrészek segítségével a kazán beszerelése könnyen és rugalmasan elvégezhető. A kazán eredetileg egy koaxiális, függőleges, vagy vízszintes kivezető-beszívó csőre történő bekötésre van előkészítve. A kiegészítőként szállított duplikátor segítségével elkülönített vezetékeket is lehet használni.

**A beszereléshez kizárólag a gyártó által szállított alkatrészeket szabad használni!**

**FIGYELMEZTETÉS: A fokozott működési biztonság eléréséhez a füstelvezető csöveket a megfelelő rögzítő bilincsekkel erősen a falra kell rögzíteni.**

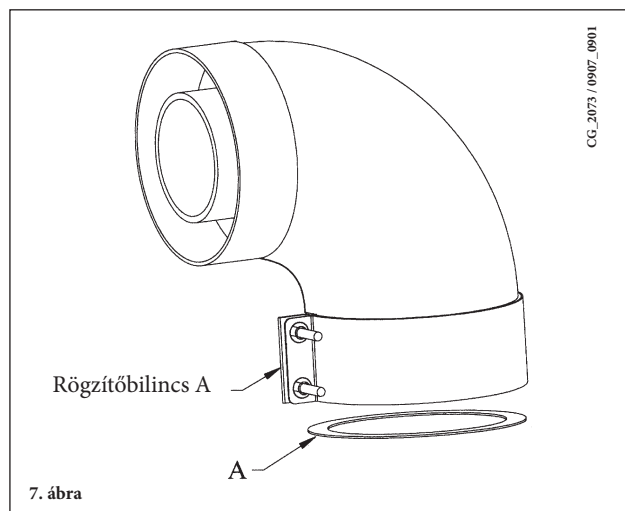


0503\_0905/CG16.38

6. ábra

### ... KOAXIÁLIS KIVEZETŐ - BESZÍVÓ CSŐ (KONCENTRIKUS)

Ez a típusú cső lehetővé teszi az égéstermék kivezetését és az égést tápláló levegő beszívását úgy az épületen kívül, mint a LAS típusú füstcsövekbe is. A 90°-os koaxiális könyök lehetővé teszi, hogy a kazánt a 360°-os elforgatási lehetőségnek köszönhetően bármilyen irányban a kivezető-beszívó csőre lehessen kötni. Ezt a koaxiális vezeték vagy a 45°-os könyökelem kiegészítéseként is lehet alkalmazni.



CG\_2073 / 0907\_0901

7. ábra

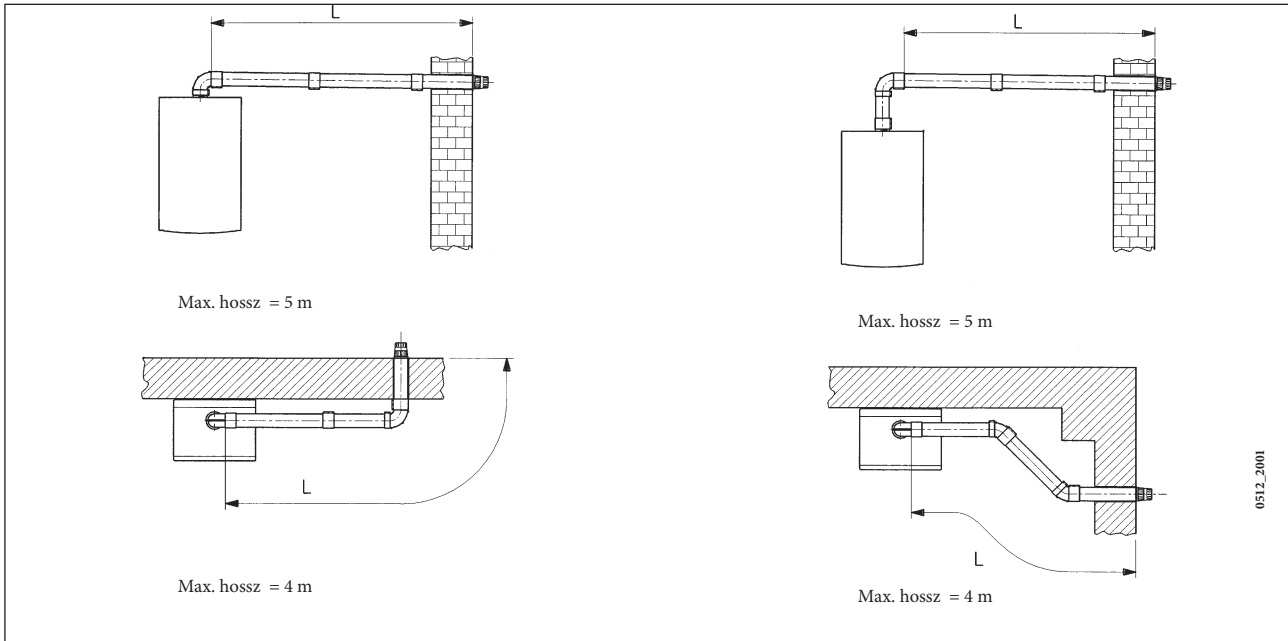
Külső kivezetés esetén a kivezető-beszívó cső legalább 18 mm-re ki kell álljon a falból, hogy fel lehessen helyezni és rögzíteni lehessen az alumínium rozettát a vízbeszivárgás elkerülése végett. Ezen csővezetékek kifelé történő minimális lejtési szögének 1 cm-nek kell lennie a hosszúság minden méterére.

- Egy 90°-os könyökelem beillesztése 1 méterrel csökkenti a csővezeték teljes hosszúságát.
- Egy 45°-os könyökelem beillesztése 0,5 méterrel csökkenti a csővezeték teljes hosszúságát.

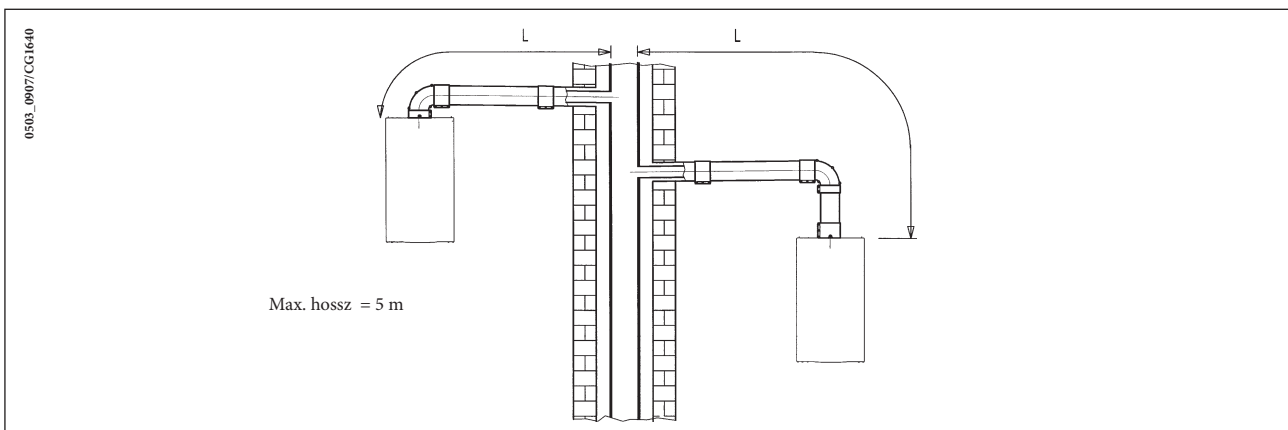
Az első 90°-os könyök nem számít bele a lehetséges maximális hosszba.

Hosszúság (m)	Kémény SZŰKÍTŐ Ⓐ
0 ÷ 1	Igen
1 ÷ 5	Nem

## 16.1 PÉLDA BESZERELÉSRE VÍZSZINTES CSÖVEKKEL

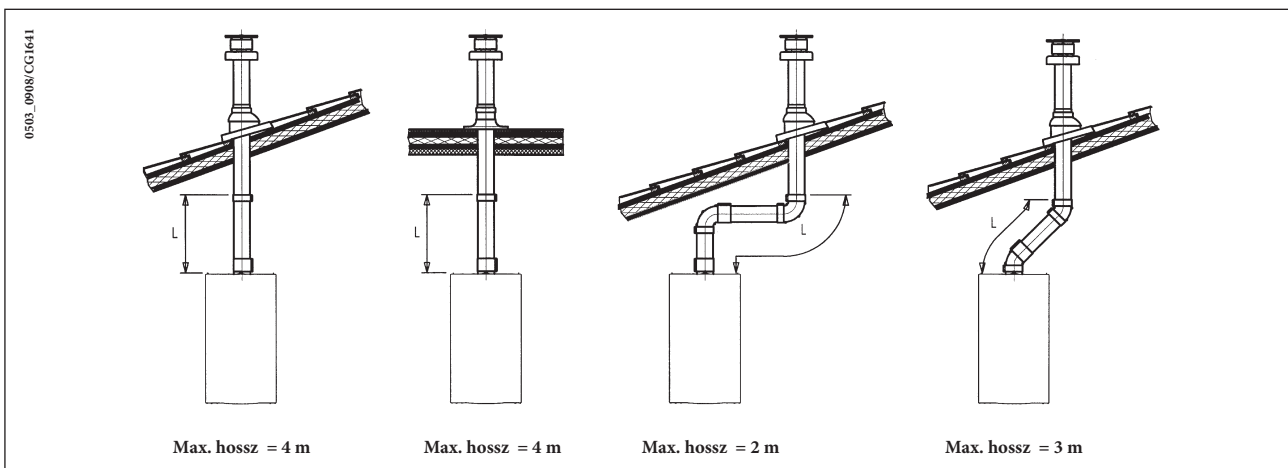


## 16.2 PÉLDA BESZERELÉSRE LAS TÍPUSÚ FÜSTCSÖVEKKEL



## 16.3 PÉLDA BESZERELÉSRE FÜGGŐLEGES CSÖVEKKEL

A beszerelést nyereg- és lapos tető esetén is el lehet végezni, az igény szerint külön kérésre kapható kémény kiegészítő, és tömítéses cserép alkalmazásával.



A kiegészítők felszerelésére vonatkozó részletesebb útmutatások céljából tekintse át a kiegészítőket kísérő műszaki leírást.

## ... KÜLÖNÁLLÓ KIVEZETŐ - BESZÍVÓ CSŐVEZETÉKEK

Ez a csővezeték típus lehetővé teszi az égéstermék elvezetését úgy az épületen kívülre, mint egyedi füstcsövekbe.

Az égést tápláló levegő szívását a kivezetés helyétől eltérő helyen lehet megvalósítani.

Az osztó tartozék egy füstvezeték-adapterből (100/80) és egy levegővezeték-adapterből áll.

A használandó levegővezeték-adapter tömitése és csavarai azok, melyek korábban a dugóról levételre kerültek.

(L1+L2)	Tolózár állás	Kémény SZŰKÍTŐ Ⓐ	CO <sub>2</sub> %		
			G20	G25.1	G31
0 ÷ 4	1	Nem	6,4	7,0	7,4
4 ÷ 18	2				
18 ÷ 30	3				

Az első 90°-os könyök nem számít bele a lehetséges maximum hosszba.

A 90°-os könyökelem lehetővé teszi, hogy a kazánt a 360°-os elforgatási lehetőségnek köszönhetően bármilyen irányban a kivezető-beszívó csővezetékre lehessen kötni. Ezt a csővezeték vagy a 45°-os könyökelem kiegészítéseként is lehet alkalmazni, mint kiegészítő könyökelem.

- Egy 90°-os könyökelem beillesztése 1 méterrel csökkenti a csővezeték teljes hosszúságát.
- Egy 45°-os könyökelem beillesztése 0,25 méterrel csökkenti a csővezeték teljes hosszúságát.

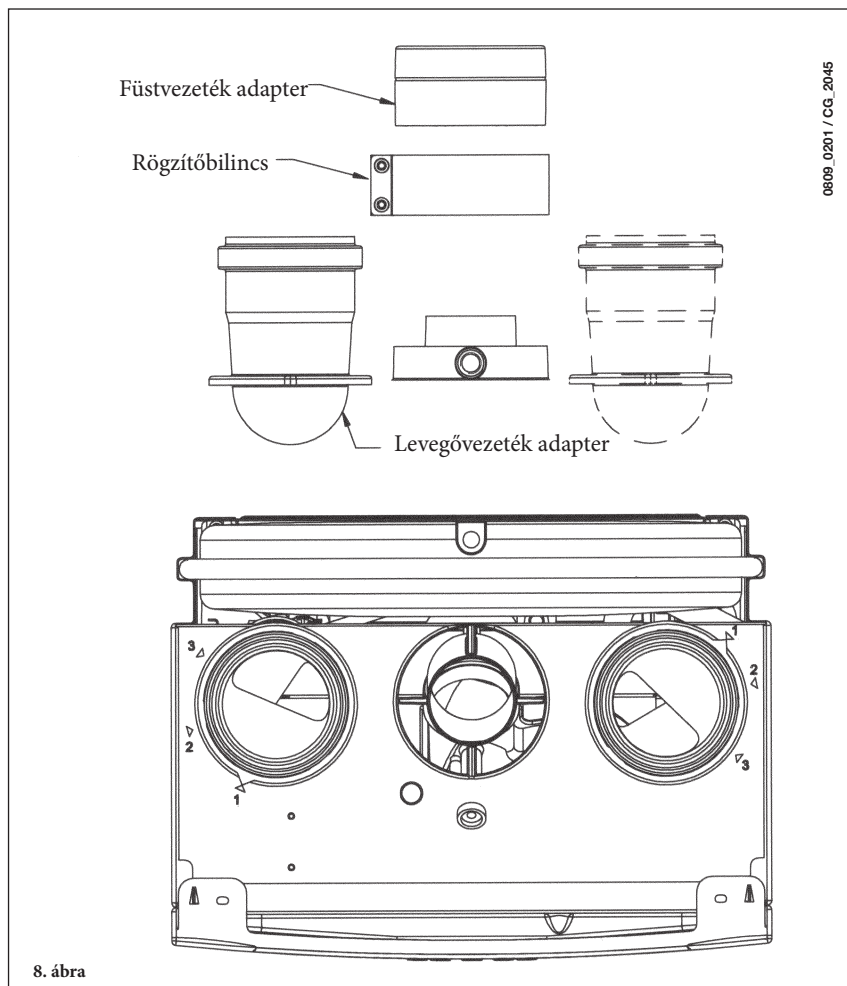
### Osztott kivezető levegő tolózárának szabályozása

Ennek a tolózárnak a szabályozása az égés hatásfokának, és paramétereinek optimalizálásához szükséges. A levegővezeték adapter - mely a kivezető cső úgy a jobb, mint a bal oldalán is felszerelhető - elfordításával megfelelően szabályozásra kerül a levegő többlet az égési levegő kivezető és beszívó csővezetékei hosszának függvényében.

Fordítsa el ezt a tolózarat az óra járásával ellentétes irányba az égési levegő többlet csökkentéséhez, és fordítva a növeléséhez.

A további optimalizáláshoz az égési termékeket elemző készülék segítségével meg lehet mérni a füst CO<sub>2</sub> szintjét maximális hőkapacitás mellett, és fokozatosan szabályozni a levegő tolózarat egészen addig, amíg az alábbi táblázatban feltüntetett CO<sub>2</sub> szintet el nem éri, ha az elemzés ennél alacsonyabb értéket jelzett.

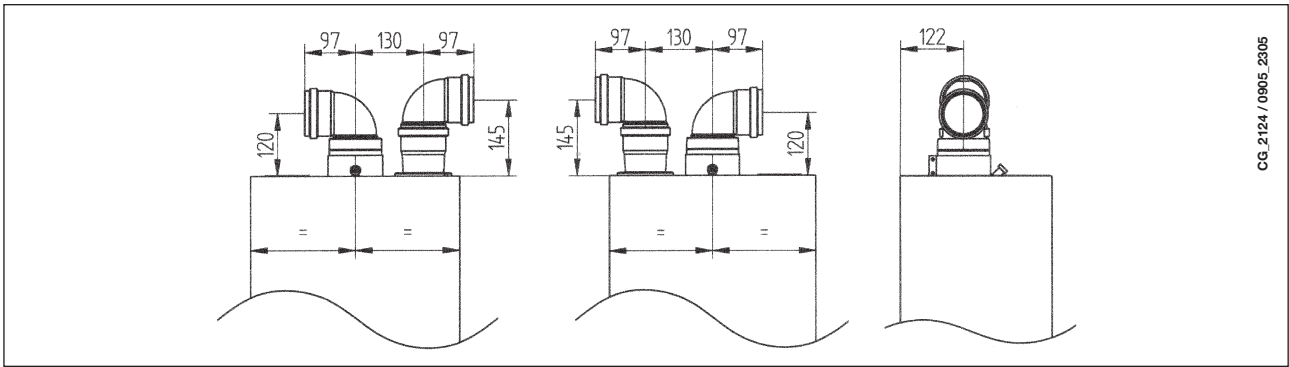
Ezen egység megfelelő felszerelése céljából tekintse át a vele adott szerelési utasítást is.



8. ábra



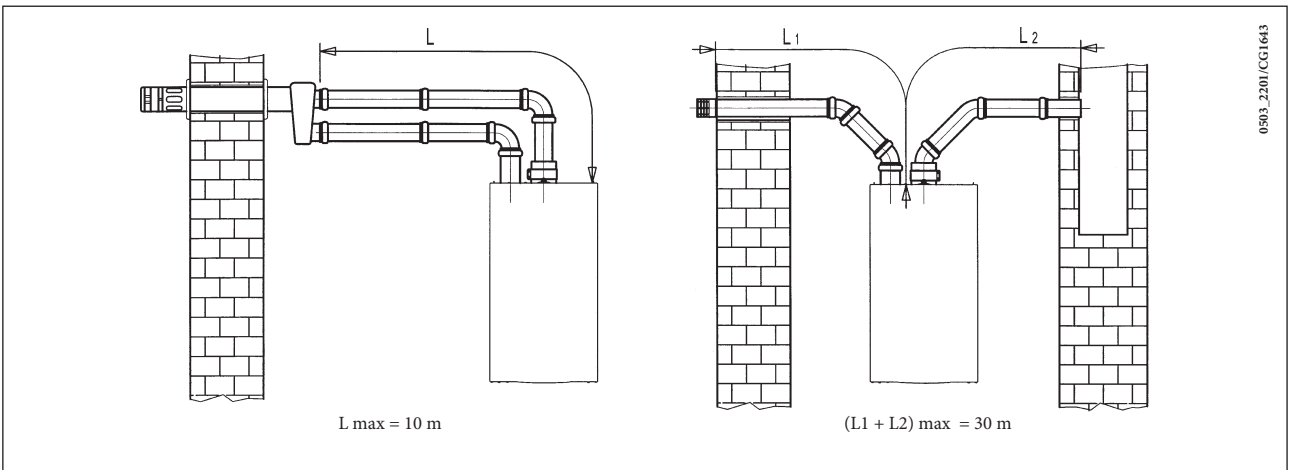
## 16.4 OSZTOTT KÉMÉNY HELYFOGLALÁS



CG.2124 / 0905.2305

## 16.5 PÉLDA BESZERELÉSRE VÍZSZINTES ELKÜLÖNÍTETT CSÖVEKKEL

**FONTOS** - A kivezető vezeték kifelé történő minimális lejtési szögének 1 cm-nek kell lennie a hosszúság minden méterére. A kondenzgyűjtő készlet alkalmazása esetén a kivezető csővezeték lejtésének a kazán felé kell irányulnia.

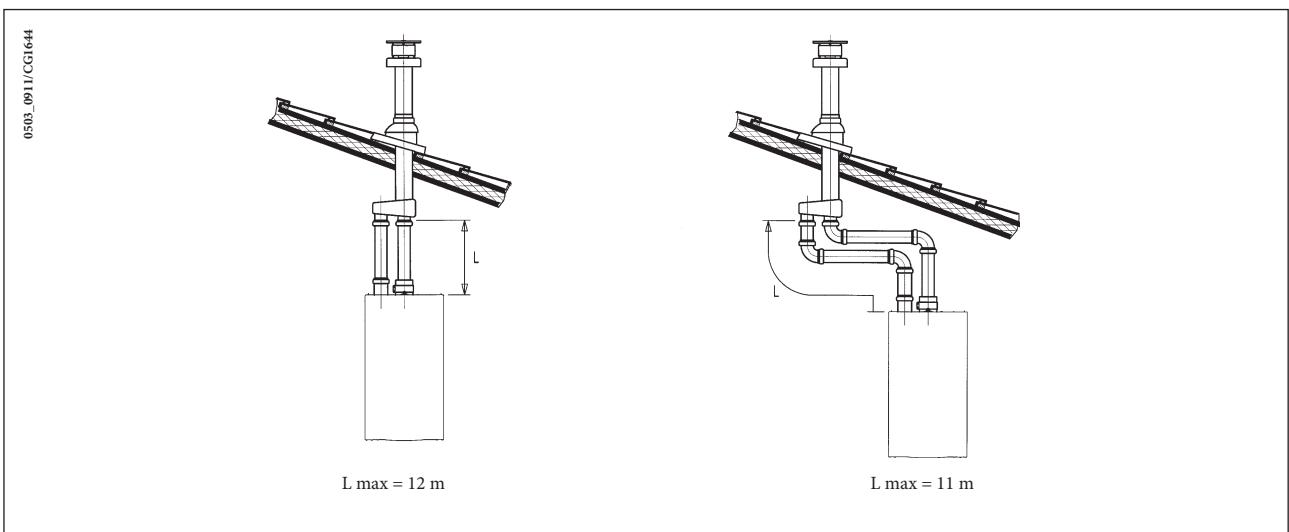


0503.2201/CG1643

**Jól jegyezze meg:** A C52 típusnál az égést tápláló levegő beszívásának és az égéstermék elvezetésének végelemei nem lehetnek az épülettel szemközti falakon. A beszívó csővezeték hosszának legfeljebb 10 méternek szabad lennie a C52 típusú füstelvezető tekintetében.

6 méternél hosszabb kivezető cső esetén a kazán közelében fel kell szerelni a kiegészítőként kapható kondenzgyűjtő készletet.

## 16.6 PÉLDA BESZERELÉSRE FÜGGŐLEGES ELKÜLÖNÍTETT CSÖVEKKEL



0503.0911/CG1644

**Fontos:** az égéstermék kivezető szimpla csövet a lakóhelyiség falával való érintkezési helyen megfelelő szigetelőanyaggal (pl. üvegyapot) szigetelni kell. A kiegészítők felszerelésére vonatkozó részletesebb útmutatások céljából tekintse át a kiegészítőket kísérő műszaki leírást.

## 17. ELEKTROMOS BEKÖTÉS

A berendezés elektromos biztonsága csak akkor garantált, ha azt a berendezésekre vonatkozó hatályos biztonsági előírásoknak megfelelően hatékony földelő berendezéshez csatlakoztatták.

A kazánt elektromosan 230 V-os monofázis + földelés táphálózatra kell csatlakoztatni a vele adott háromeres vezetékkel, a VONAL-NULLA polaritást betartva.

**A bekötést kétpólusú megszakítóval kell megvalósítani, melynél az érintkezők közötti távolság legalább 3 mm.**

A tápkábel cseréje esetén "HAR H05 W-F" 3x0,75 mm<sup>2</sup>, maximum 8 mm átmérőjű harmonizált kábelt kell használni.

...A tápellátó kapocsléchez való hozzáférés

- a kétpólusú megszakítóval áramtalanítsa a kazánt;
- csavarozza le a kazán kapcsolószekrényének két rögzítőcsavarát;
- fordítsa el a kapcsolószekrényt;
- távolítsa el a fedelet, így hozzáférhet az elektromos csatlakoztatásokhoz (9. ábra).

A 2A-es gyorsbiztosíték a tápellátó kapocslécen található (ellenőrzés/cseréje céljából húzza ki a fekete színű biztosítéktokot).

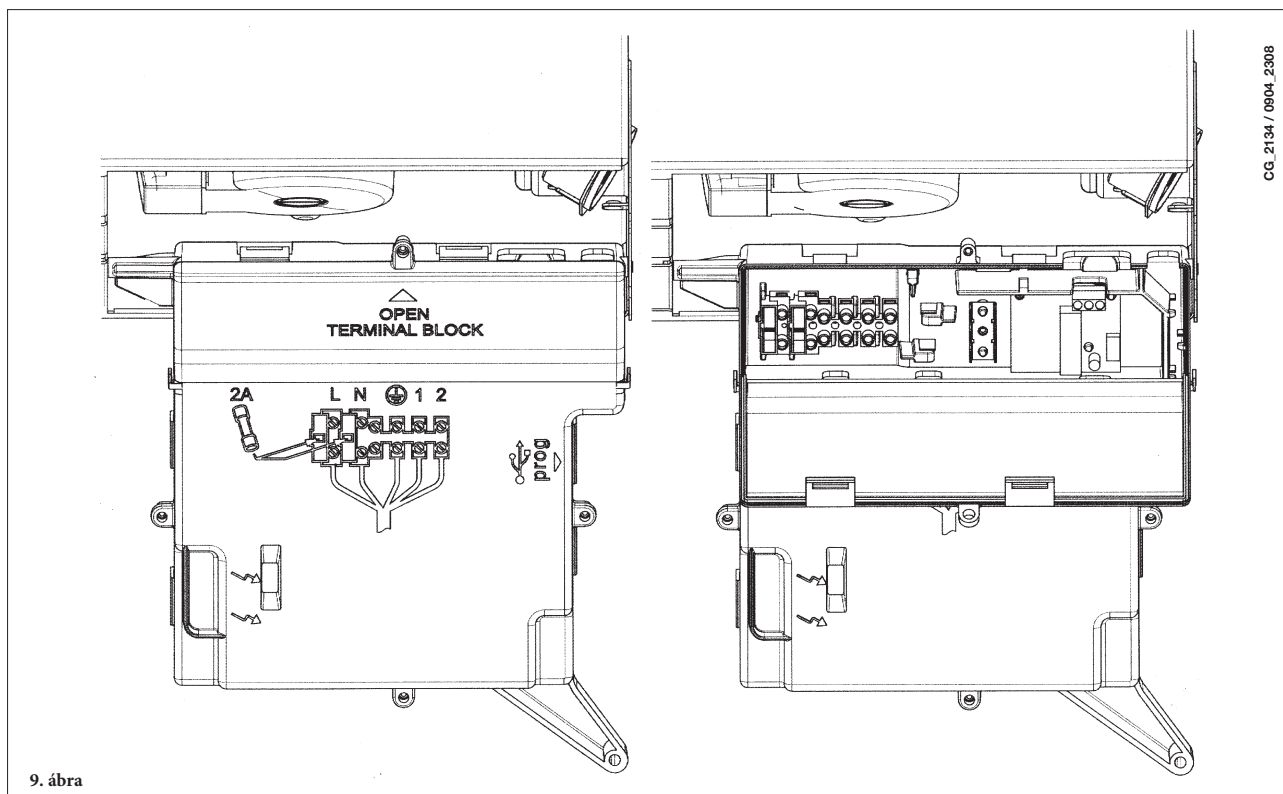
**FONTOS:** tartsa be az energiaellátási polaritást L (VONAL) - N (NULLA).

(L) = **Vonal** (barna)

(N) = **Nulla** (világoskék)

(⊕) = **Föld** (sárga-zöld)

(1) (2) = **Szobatermosztát bekötési pont**



## 18. A SZOBATERMOSZTÁT BEKÖTÉSE

- tegye hozzáférhetővé a tápellátó kapocslécet (9. ábra) az előző fejezetben ismertetetteknek megfelelően;
- távolítsa el az (1) és (2) kapcsokon lévő hidat;
- a kéteres vezetékot vezesse be a vezeték leszorítón keresztül és kösse be ebbe a két kapocsba.

# 19. A GÁZCSERE MÓDOZATA

A kazánt a felhatalmazott Szervizszolgálat átállíthatja metángázra (G. 20 - G. 25.1) vagy folyékony gázra (G. 31).

Az alábbi műveleteket kell a leírás szerinti sorrendben elvégezni:

- A) ki kell cserélni a fő égő fúvókáit;
- B) meg kell változtatni a feszültséget a modulátornál;
- C) be kell állítani a nyomásszabályozó új max. és min. szintjét.

## A) A fúvókák cseréje

- óvatosan emelje ki a főégőt az ágyazatából;
- cserélje ki a főégő fúvókáit ügyelve arra, hogy megfelelően rögzítse őket esetleges gázszivárgás elkerülése érdekében. A fúvókák átmérőjét a 2. táblázat tünteti fel.

## B) Modulátor feszültség változtatás

- állítsa be az F02 paramétert a gáztípustól függően a 21. fejezetben ismertetteknek megfelelően;

## C) A nyomásszabályozó beállítása

- Egy differenciál, lehetőleg víz-manométer pozitív nyomásvételi helyét kössük a gázszelep nyomásvételi helyére (Pb) (10. ábra). Csak a hermetikus kamrával működő kazán modellek esetén kössük ugyanazon manométer negatív nyomásvételi helyét egy megfelelő „T” csatlakozásra, amely lehetővé teszi a kazán kompenzációs nyomásvételi helyének, a gázszelep (Pc) kompenzációs nyomásvételi helyének és a manométernek az összekötését. (Azonos mérést lehet végezni, ha a nyomásmérőt a nyomásvételi helyre (Pb) kötjük a hermetikus kamra frontlapja nélkül);  
Az égők fentitől eltérő módszerrel végzett nyomásmérése hamis eredményt adhat, mivel nem venné figyelembe a hermetikus kamrában a ventilátor által keltett nyomáscsökkenést.

## C1) A névleges teljesítmény szabályozása:

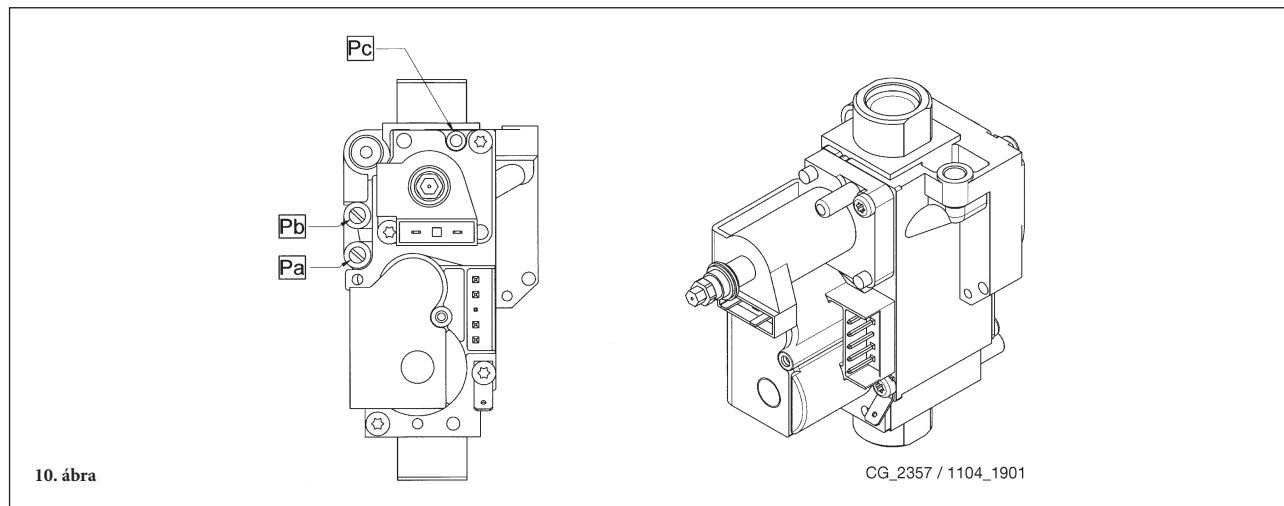
- nyissa ki a gázcsapot és állítsa a kazánt Téli üzemmódra;
- nyissa meg a hálózati melegvíz vételi csapot legalább 10 liter/perc vízhozammal, illetve győződjön meg arról, hogy maximális hőigény álljon fenn;
- távolítsa el a modulátor fedelét;
- állítsa be a feltüntetett sárgaréz csavart (a), az 1. táblázatban feltüntetett nyomásérték eléréséig;
- ellenőrizze, hogy helyes-e a kazántáplálás dinamikus nyomása a bevezető gázszelep mérőpontjánál mérve (Pa) (10. ábra) (37 mbar G.31 PB gázhoz és 25 mbar G20-G25.1 földgázhoz);

## C2) A csökkentett teljesítmény szabályozása:

- húzza ki a modulátor tápvezetékét, és csavarozza ki a feltüntetett csavart (b) annyira, hogy a csökkentett teljesítménynek megfelelő nyomást érje el (lásd az 1. táblázatot);
- csatlakoztassa újra a vezetékét;
- szerelje fel a modulátor fedelét és zárja le.

## C3) Végző ellenőrzések

- használja a gáz átállításhoz pluszban biztosított adattáblát, jelölje be rajta a gáztípust és az elvégzett beállítást.



## 19.1 A GÁZSZELEP BEÁLLÍTÁSI FUNKCIÓJA

A gázszelep beállítási műveleteinek könnyítéséhez a beállítási funkció közvetlenül a kazán vezérlő panelén végezhető az alábbiakban ismertetett módon:

- nyomja be egyszerre legalább 6 másodpercre az + és az + gombokat;
- 6 másodperc elteltével az jelzések villogni kezdenek;
- a kijelző 1 másodperces időközrel a "100" és az **odairányú hőmérsékletet** jeleníti meg.

Ebben a fázisban a kazán a maximális fűtési teljesítményen (100%) működik.

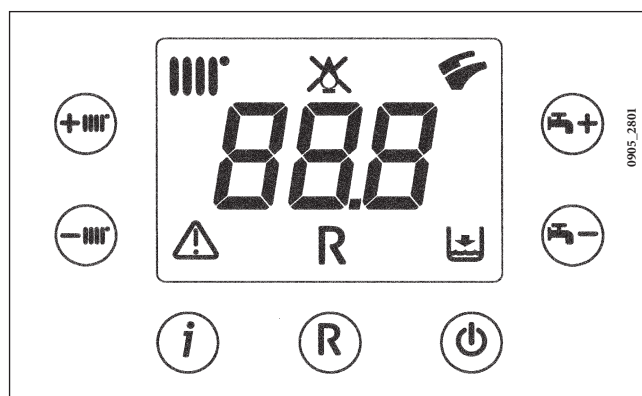
- A +/- gombok benyomásával a kazán teljesítményét (100% vagy 0%) azonnal be lehet állítani;
- Állítsuk be a csavaros "Pmax/Pmin" (10. ábra) mindaddig, amíg az érték a nyomás jelenteni kell a 1. táblázat.

A nyomás maximális teljesítményre állítását a "Pmax" csavaron történő szabályozással érheti el (10. ábra); fordítsa el az óra járásával megegyező irányba a nyomás égőfejénél történő növeléséhez, vagy az óra járásával ellentétes irányba a csökkentéséhez.

A nyomás minimális teljesítményre állítását a "Pmin" csavaron történő szabályozással érheti el (10. ábra); fordítsa el az óra járásával ellentétes irányba a nyomás égőfejénél történő növeléséhez, vagy az óra járásával megegyező irányba a csökkentéséhez.

- A +/- gombok benyomásával a kívánt teljesítmény szintet (időköz = 1%) fokozatosan lehet beállítani.

A funkcióból történő kilépéshez nyomja be az gombot.



### Megjegyzés:

A funkció automatikusan kerül kiiktatásra 15 perc elteltével, melyet követően az elektronikus kártya a funkció aktiválását megelőző működési állapotba tér vissza, vagy pedig a beállított maximális hőmérséklet elérését követően.

## 19.2 PARAMÉTER MÓDOSÍTÁS

A paraméterekhez férést az alábbiak szerint végezheti:

- nyomja be egyszerre a - és - gombokat kb. 6 másodpercre. A kijelzőn az "F01" kiírás tűnik fel a beállított értékkel váltakozva;
- nyomja be a +/- gombokat a paraméter lista futtatásához;
- a kiválasztott paraméter értékének növeléséhez vagy csökkentéséhez nyomja be igény szerint a +/- gombok egyikét;
- nyomja be az gombot a beállított paraméterek programozásának mentéséhez (a kijelzőn néhány másodpercre a "MEM" kiírás tűnik fel).
- nyomja be az gombot a programozásból mentés nélkül történő kilépéshez (a kijelzőn néhány másodpercre az "ESC" kiírás tűnik fel).

### FIGYELMEZTETÉS

A G20-ról G31 gázra történő átalakításhoz az F02, F08, F09, F10 és F16 paraméterek módosítására van szükség a 21. fejezet táblázatában feltüntetetteknek megfelelően. Helyezze fel a pót adattáblát, melyet az átalakításhoz adtunk a gáztípus és a végzett beállítás megjelölésével.

#### Égőfej fűvókák táblázat

gáztípus	G20	G25.1	G31
fűvóka átmérő (mm)	1,28	1,45	0,77
Égőfej nyomás (mbar*) CSÖKKENTETT TELJESÍTMÉNY	2,0	2,5	5,7
Égőfej nyomás (mbar*) NÉVLEGES TELJESÍTMÉNY	11,2	12,8	32,6
Fűvókák száma	13		

\* 1 mbar = 10,197 mm H<sub>2</sub>O

#### 1. táblázat

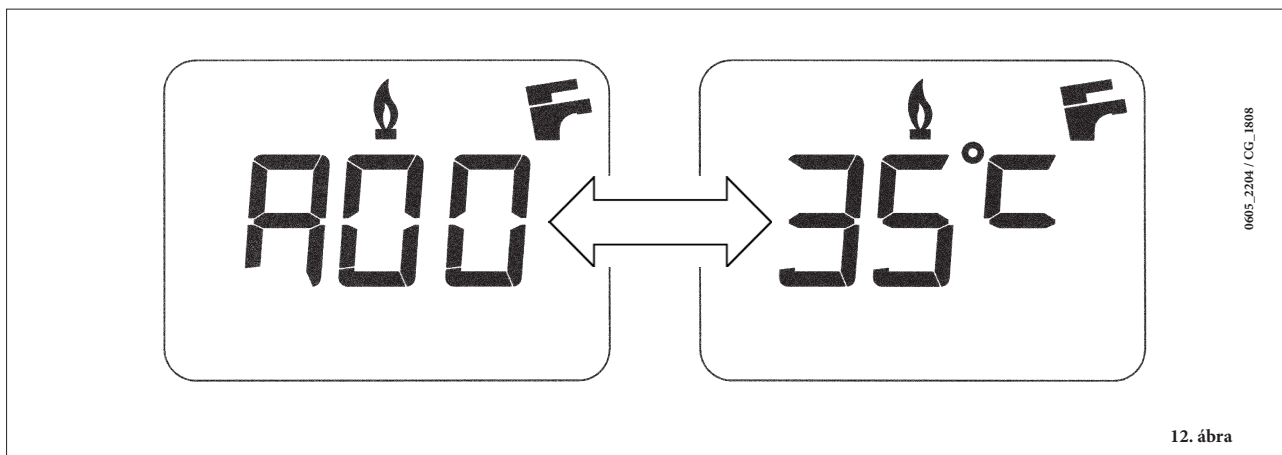
Fogyasztás 15°C-1013 mbar	G20	G25	G31
Névleges teljesítmény	2,73 m <sup>3</sup> /h	3,23 m <sup>3</sup> /h	2,00 kg/h
Csökkentett teljesítmény	1,12 m <sup>3</sup> /h	1,30 m <sup>3</sup> /h	0,82 kg/h
p.c.i. (alsó fűtőérték)	34,02 MJ/m <sup>3</sup>	29,3 MJ/m <sup>3</sup>	46,34 MJ/kg

#### 2. táblázat

## 20. PARAMÉTER MEGJELENÍTÉS A KIJELZŐN (“INFO” FUNKCIÓ)

Nyomja be legalább 5 másodpercre az «i» gombot, hogy a kazán elülső paneljén elhelyezett kijelzőn néhány, a kazán működésére vonatkozó információt meg tudjon tekinteni.

**MEGJEGYZÉS:** amikor az “INFO” funkció aktív, a kijelzőn (12. ábra) az “A00” kiírás és a kazán odairányú hőmérsékletének értéke váltakozva tűnik fel:





- A  (+/-) szabályozógombok segítségével jelenítheti meg az alábbi információkat:

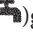


- A00: a használati melegvíz (A.C.S.) hőmérsékletének jelenlegi értéke (°C);
- A01: a külső hőmérséklet (csatlakoztatott külső szondával) jelenlegi értéke (°C);
- A02: a gázszelep ellenőrző jelzésének pillanatnyi értéke (%);
- A03: a teljesítmény tartomány értéke (%) (MAX R);
- A04: a fűtési set-point hőmérséklet értéke (°C);
- A05: a fűtési odairányú hőmérséklet jelenlegi értéke (°C);
- A06: a használati melegvíz set-point hőmérséklet értéke (°C);
- A07: Nem kerül használatra;
- A08: Nem kerül használatra;
- A09: a kazánban előfordult utolsó hiba.

- Ez a funkció 3 perces időtartamra marad aktív. Az “INFO” funkció ezt megelőzően is megszakítható az (i) gomb legalább 5 másodpercre történő benyomásával, vagy a kazán feszültségmentesítésével.

## 21. A PARAMÉTEREK BEÁLLÍTÁSA

A kazán paraméterek beállításához nyomja be egyidejűleg az (- ) gombot és az (- ) gombot legalább 6 másodpercre. Amikor a funkció aktív, a kijelzőn az "F01" kiírás és a megjelenített paraméter értéke váltakozva tűnik fel.

### Paraméter módosítás

- A paraméterek futtatásához nyomja be az (+/- ) gombokat;
- Egy egyedüli paraméter módosításához nyomja be az (+/- ) gombokat;
- Az érték memorizálásához nyomja be az () gombot, ekkor a kijelzőn a "MEM" kiírás tűnik fel.
- A funkcióból memorizálás nélkül történő kilépéshez nyomja be az (i) gombot, a kijelzőn ekkor az "ESC" kiírás tűnik fel.

	Paraméter leírás	Gyári beállítás
F01	Kazán típus 10 = hermetikus kamra - 20 = nyitott kamra	10
F02	Használt gáztípus 00 = G20 01 = G31	00 vagy 01
F03	Vízrendszer	02
F04 F05	Programozható relé beállítás (Lásd a SERVICE útmutatót) 00 = semmilyen társított funkció	00
F06	Fűtési maximum setpoint (°C) beállítás 00 = 76°C (Égő kikapcsolás 80°C-on) 01 = 45°C	00
F07	Használati melegvíz bemenet konfiguráció	02
F08	Max. teljesítmény fűtésnél (0-100%)	100
F09	Max. teljesítmény használati melegvíznél (0-100%)	100
F10	Min. teljesítmény fűtésnél (0-100%)	00
F11	Várakozási idő fűtésnél újabb begyűjtés előtt (00-10 perc) - 00=10 másodperc	03
F12	Diagnosztika (Lásd a SERVICE útmutatót)	--
F13	Hőcserélő típus 00 = 270 mm 01 = 225 mm	00
F14	Használati melegvíz szonda megfelelő elhelyezésének ellenőrző tesztje 00 = Kiiktatva 01 = Mindig engedélyezve	00
F15	Beállítása az üzemi	00
F16...F17	Gyártó információk --- Nem kerül használatra	00

## 22. SZABÁLYOZÓ ÉS BIZTONSÁGI EGYSÉGEK

A kazánt a vonatkozó európai normatívák előírásainak megfelelően gyártották és az alábbi egységekkel rendelkeznek:

- **Levegő presszosztát**

Ez az egység csak akkor teszi lehetővé az égőfej meggyújtását, ha a füstelvezető kör teljesen hatékony.

Az alábbi rendellenességek egyikének fennállása esetén

- a kivezetőcső végeleme el van tömődve
- a venturi eltömődött
- a ventilátor leállt
- a venturi és a presszosztát összekötése megszakadt

a kazán várakozási állapotban marad az E03 hibakódot jelezve (lásd a 10. fejezet táblázatát).

- **Biztonsági termosztát**

Ez az egység, amelynek érzékelője a fűtés odairányú körén van, megszakítja az égőfej gázellátását, ha a primer körben lévő víz túlmelegszik. Ilyen esetben a kazán leáll, és csak a leállás okának kiküszöbölése után lehet az (R) gomb legalább 2 másodpercre történő elfordításával megismételni a begyújtást.

---

Ezt a biztonsági egységet tilos működésen kívül helyezni

---

- **Ionizációs lángór érzékelő**

Az égőfej jobb oldalán található érzékelő elektróda garantálja a biztonságot ha nincs gáz, vagy ha a főégő begyulladására nem teljes. Ilyen esetben 3 próbálkozást követően a kazán leblokkol.

A normál működési körülmények visszaállításához az (R) gombot legalább 2 másodpercre be kell nyomni.

- **Vízpresszosztát**

Ez az egység csak akkor teszi lehetővé a főégő begyulladását, ha a berendezés nyomása meghaladja a 0,5 bar-t.

- **Fűtési kör szivattyú utóműködése**

Az elektronikusan vezérelt szivattyú utóműködése 180 másodpercig tart és fűtési módozatban a szobatermosztát közbelépésére, az égőfej kialvása után kerül aktiválásra.

- **Használati melegvíz kör szivattyú utóműködése**

Az elektronikusan vezérelt szivattyú utóműködése 30 másodpercig tart és használati melegvíz módozatban a szonda közbelépésére, az égőfej kialvása után kerül aktiválásra.

- **Fagymentesítő egység (fűtési és melegvíz kör)**

A kazán elektronikus vezérlése egy „fagymentesítő” funkcióval rendelkezik, amely 5 °C-nál alacsonyabb odairányú hőmérséklet esetén az égőfejet addig működteti, amíg az odairányú hőmérséklet el nem éri a 30 °C-ot. Ez a funkció akkor él, ha a kazán áram alatt van, ha van gáz, és a berendezés nyomása előírás szerinti.

- **Vízkeringés hiánya a primer körön (valószínű szivattyú leállás)**

A primer körben történő víz keringés hiánya, vagy elégtelensége esetén a kazán leáll az E25 hibakódot jelezve (10. fejezet).

- **Hidraulikus biztonsági szelep (fűtési kör)**

Ez a 3 bar-ra beállított egység a fűtési kört szolgálja.

---

Javasoljuk a biztonsági szelep szifonos elvezetőhöz történő csatlakoztatását. Tilos a biztonsági szelepet a fűtési hálózat leürítési eszközeként használni.

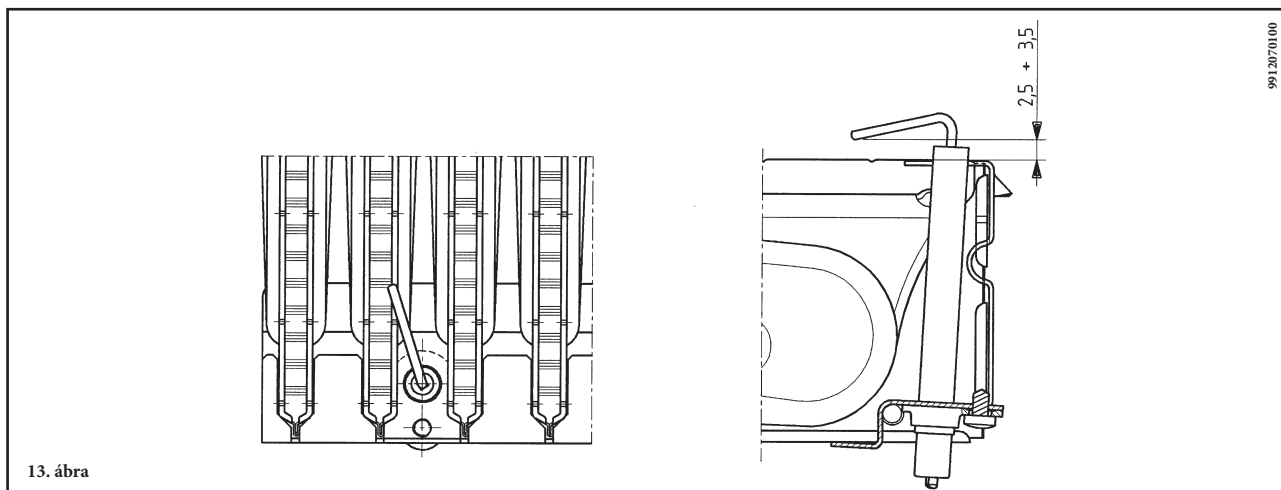
---

**MEGYJEGYZÉS:**

amennyiben a használati melegvíz kör NTC szondája meghibásodna a használati melegvíz előállítás ez esetben is biztosított. A hőmérséklet szabályozása ekkor az odairányú szondán keresztül kerül eszközésre.



## 23. GYÚJTÓELEKTRODA ELHELYEZÉS ÉS LÁNGŐRZÉS



## 24. AZ ÉGÉSI PARAMÉTEREK ELLENŐRZÉSE

Az égési hozam és az égéstermékek tisztaságának méréséhez a kazán két mintevételi hellyel rendelkezik, melyek kifejezetten e célra kerültek létrehozásra.

Az egyik nyílás a füstgáz elvezető körre van csatlakoztatva, melyen keresztül mérhető az égéstermékek tisztasága, és az égési hatások.

A másik az égést tápláló levegőt beszívó körre van csatlakoztatva, melyben ellenőrizhető az égéstermékek esetleges visszajutása koaxiális csővezetékek esetén.

A füst körre csatlakoztatott nyíláson keresztül az alábbi paraméterek mérhetők:

- az égéstermékek hőmérséklete;
- az oxigén ( $O_2$ ), vagy a szén-dioxid ( $CO_2$ ) koncentrációja;
- a szénmonoxid (CO) koncentrációja.

Az égést tápláló levegő hőmérsékletét a levegő beszívó körre csatlakoztatott nyíláson keresztül kell mérni úgy, hogy a mérőszondát kb. 3 cm-re vezeti be.

**MEGJEGYZÉS:** a névleges teljesítmény szabályozásához lásd a 19 (C) fejezetet.

Természetes huzatú kazánoknál a füstkivezető csővezetéken egy furatot kell létrehozni úgy, hogy az a kazántól a csővezeték belső átmérője kétszeresének megfelelő távolságon legyen.

Ezen a furaton keresztül az alábbi paramétereket lehet mérni:

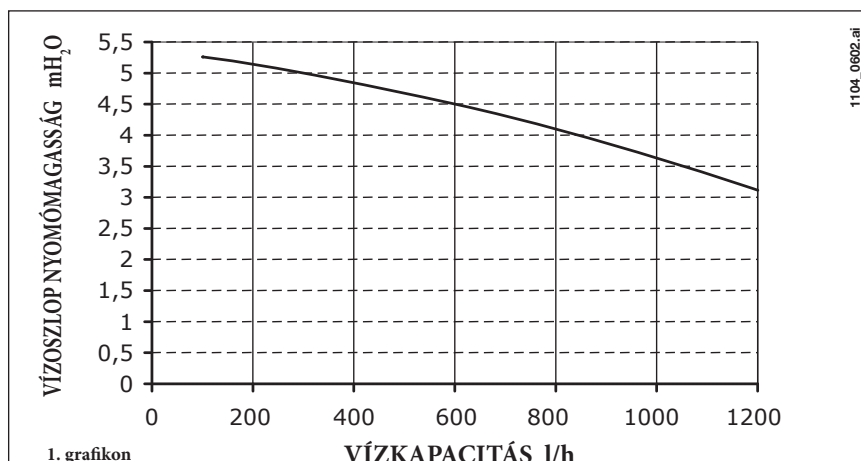
- az égéstermékek hőmérséklete;
- az oxigén ( $O_2$ ), vagy a szén-dioxid ( $CO_2$ ) koncentrációja;
- a szénmonoxid (CO) koncentrációja.

Az égést tápláló levegő hőmérsékletét a kazán levegő bemenetének közelében kell mérni.

A furatot, melyet a berendezésért felelős szakember az első üzembe helyezéskor alakít ki, úgy kell lezárni, hogy az égéstermék elvezetése normál üzemmódban tökéletesen szigetelt csőben történjen.

## 25. VÍZKAPACITÁS/VÍZOSZLOP NYOMÓMAGASSÁG JELLEMZŐK


A használt szivattyú nagyteljesítményű, és bármilyen típusú egy- vagy kétcsöves fűtőberendezésen használható. A szivattyútestbe épített automatikus légtelenítő szelep lehetővé teszi a fűtőberendezés gyors légtelenítését.

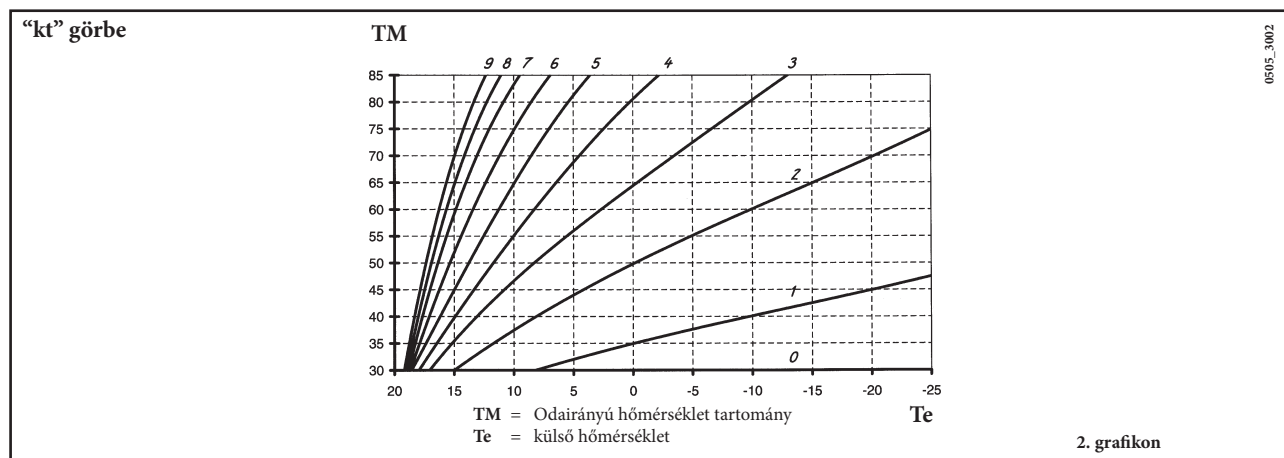


## 26. A KÜLSŐ SZONDA CSATLAKOZTATÁSA

A műszerfalból távozó vezetékek kábelei között két PIROS színű faston fedővel rendelkező vezeték található.

Csatlakoztassa a külső szondát ezen két vezeték végeihez.

Csatlakoztatott külső szondával meg lehet változtatni a "kt" görbét (1. graficon) a +/-  gombok segítségével.



## 27. ÉVES KARBANTARTÁS

A kazán optimális hatásfokának garantálása érdekében évente el kell végezni az alábbi ellenőrzéseket:

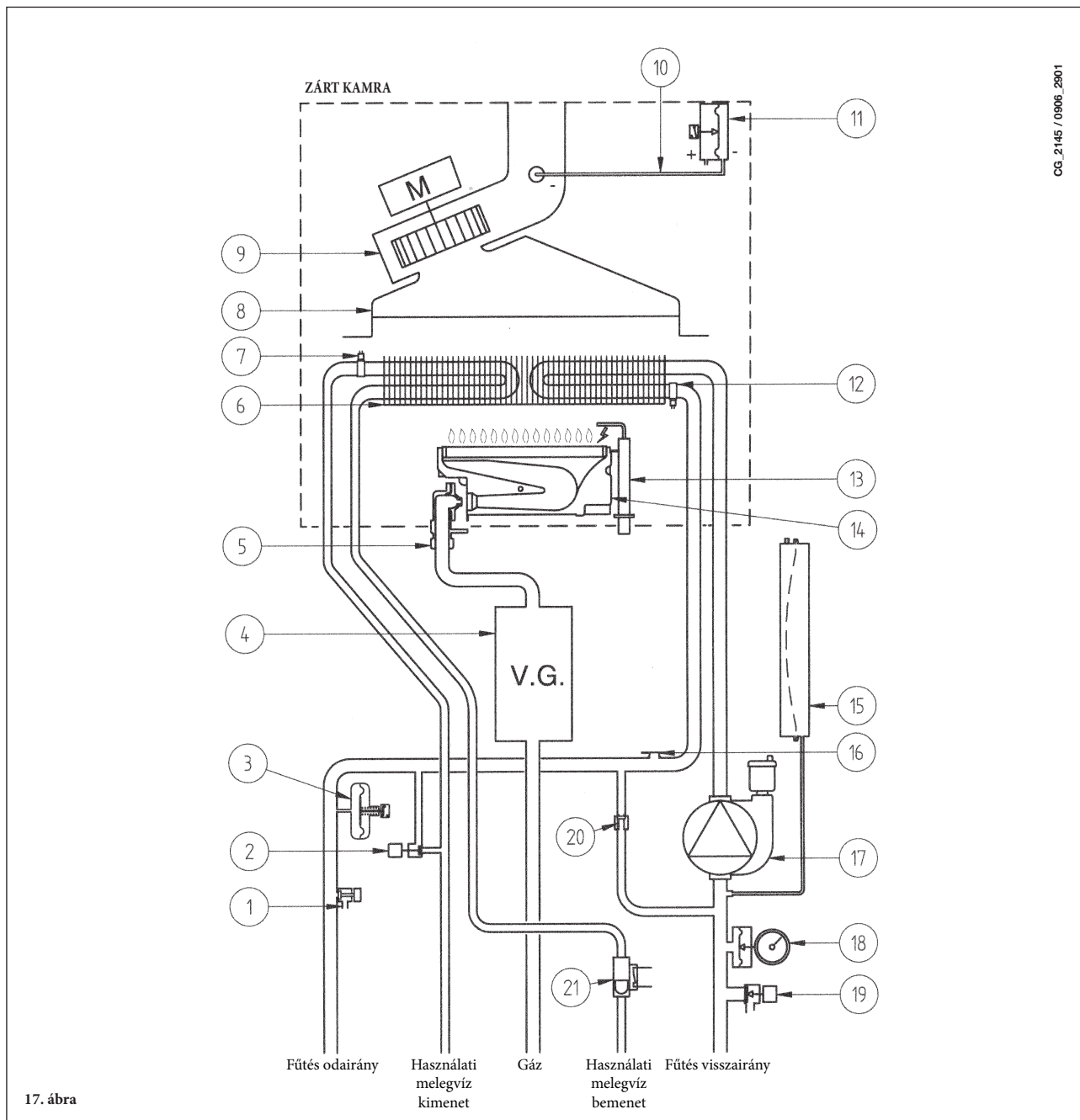
- a gázkör és az égéskör tömitései külsejének és zárásának ellenőrzése;
- a gyújtóelektrodák és lángérzékelő elektrodák állapotának és megfelelő helyzetének ellenőrzése;
- az égőfej állapotának és annak megfelelő rögzítésének ellenőrzése;
- az égéstér belsejében lévő esetleges szennyeződések jelenlétének ellenőrzése.  
E célból a tisztításhoz használjon egy porszívót;
- a gázszelep megfelelő beállításának ellenőrzése;
- a fűtőrendszer nyomásának ellenőrzése;
- a tágulási tartály nyomásának ellenőrzése;
- a ventilátor megfelelő működésének ellenőrzése;
- a kivezető és a beszívó csővezetékek ellenőrzése a célból, hogy nincsenek-e elzáródva.

### FIGYELMEZTETÉSEK

Mielőtt bármilyen beavatkozást végezne győződjön meg arról, hogy a kazán ne legyen elektromos áramellátás alatt.

A karbantartási műveletek végén helyezze vissza a kazán kezelőgombjait és/vagy a működési paramétereit az eredeti helyzetükbe.

## 28. A KÖRÖK FUNKCIONÁLIS ÁBRÁJA

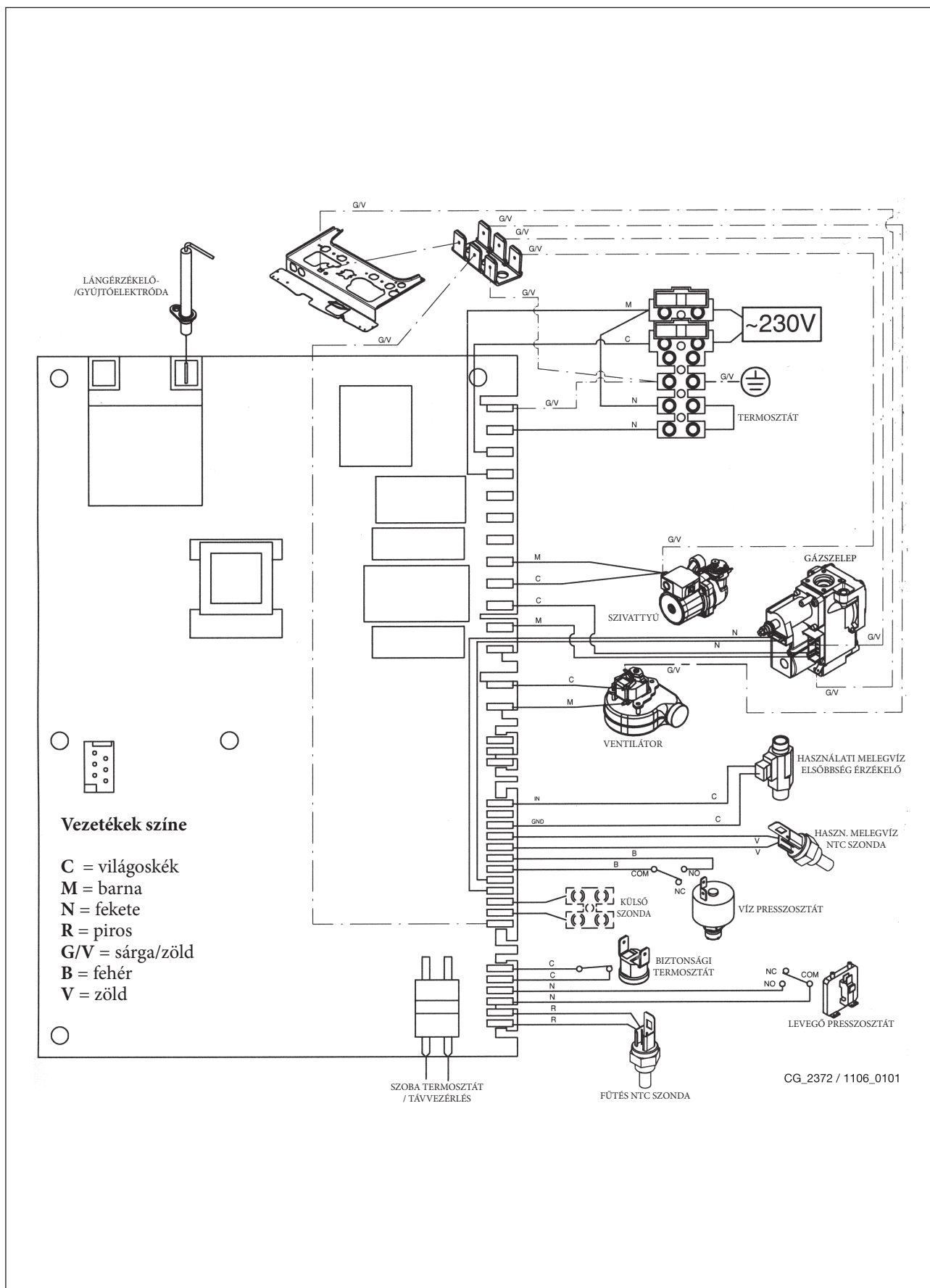


CG\_2145 / 0906\_2901

### JELMAGYARÁZAT:

- |                             |   |
|-----------------------------|---|
| 1 Kazán leeresztőcsap       | 12 Fűtés NTC szonda                       |
| 2 Kazán feltöltő csap       | 13 Gyújtó/lángór elektróda                |
| 3 Víz presszosztát          | 14 Égő                                    |
| 4 Gázszelep                 | 15 Tárgulási tartály                      |
| 5 Gázrampa fűvókákkal       | 16 Biztonsági termosztát                  |
| 6 Víz-fűt hőcserélő         | 17 Szivattyú légszeparátorral             |
| 7 Használati víz NTC szonda | 18 Manométer                              |
| 8 Füstcső                   | 19 Biztonsági szelep                      |
| 9 Ventilátor                | 20 automatikus by-pass-on                 |
| 10 Negatív nyomáscsatlakozó | 21 Használati melegvíz elsőbbség érzékelő |
| 11 Levegő presszosztát      |   |

## 29. KAPCSOLÓK BEKÖTÉSI RAJZA



## 30. MŰSZAKI JELLEMZŐK

### Modell MAINFOUR 240F

Kategória		II2HS3P	
Névleges hőkapacitás	kW	25,8	
Csökkentett hőkapacitás	kW	10,6	
Névleges hőteljesítmény	kW	24	
	kcal/h	20.600	
Csökkentett hőteljesítmény	kW	9,3	
	kcal/h	8.000	
Hatásfok a 92/42/EGK irányelv szerint	—	★★★	
Fűtési kör maximális víznyomás	bar	3	
Tágulási tartály víztérfogat	l	6	
Tágulási tartály nyomás	bar	1	
Használati melegvíz kör maximális víznyomás	bar	8	
Használati melegvíz kör minimális dinamikus nyomás	bar	0,15	
Használati melegvíz minimális kapacitás	l/min	2,0	
Használati melegvíz előállítás $\Delta T=25\text{ °C}$ esetén	l/min	13,7	
Használati melegvíz előállítás $\Delta T=35\text{ °C}$ esetén	l/min	9,8	
Specifikus kapacitás (*)	l/min	11	
Fűtési kör hőmérséklet tartomány	°C	30/76	
Használati melegvíz hőmérséklet tartomány	°C	35/55	
Típus	—	C12-C32-C42-C52-C82-B22	
Koncentrikus kivezető cső átmérő	mm	60	
Koncentrikus beszívó cső átmérő	mm	100	
Osztott kivezető cső átmérő	mm	80	
Osztott beszívó cső átmérő	mm	80	
Kivezető cső átmérő	mm	-	
Füst maximális tömegkapacitás	kg/s	0,016	
Füst minimális tömegkapacitás	kg/s	0,016	
Füst max. hőmérséklet	°C	149	
Füst min. hőmérséklet	°C	119	
NOx osztály	—	3	
Gáztípus	—	G20 - G25.1 - G31	
Metán gáz betáplálási nyomás	G20-G25.1	mbar	25
Propán gáz betáplálási nyomás	G31	mbar	37
Elektromos tápfeszültség	V		230
Elektromos tápfrekvencia	Hz		50
Névleges elektromos teljesítmény	W		130
Nettó súly	kg		31
Méreték	magasság	mm	730
	szélesség	mm	400
	mélység	mm	299
Pára és vízbehatolás elleni védelmi fok (**)			IP X5D

(\*) EN 625 szerint

(\*\*) EN 60529 szerint

A BAXI, termékeit folyamatosan fejleszti, és fenntartja a jogot arra, hogy a jelen dokumentációban megadott adatokat bármikor előzetes értesítés nélkül módosítsa. A jelen dokumentáció információs jellegű, és nem tekinthető harmadik féllel szembeni szerződésnek.

## PRO MAJITELE VÝROBKU BAXI

Domníváme se, že Váš nový kotel uspokojí všechny Vaše požadavky a potřeby. Koupě výrobku **BAXI** zaručuje splnění všech Vašich očekávání, tzn. dobré fungování a jednoduché racionální použití.

Žádáme Vás, abyste tento návod neodkládal, ale naopak ho pozorně přečetl, protože obsahuje užitečné informace pro správnou a účinnou údržbu Vašeho kotle.

**Je také nezbytné řídit se upozorněními uvedenými v tomto návodu.**

Části balení (igelitové sáčky, polystyrén atd.) nesmí být ponechány v dosahu dětí, jelikož mohou být případným zdrojem nebezpečí.


Firma **BAXI S.p.A.** prohlašuje, že modely kotlů uvedené v tomto návodě jsou označeny značkou CE v souladu s požadavky následujících evropských směrnic:

- Směrnice týkající se účinnosti plynových kotlů (2009/142/ES)
- Směrnice týkající se nízkého napětí (92/42/EHS)
- Směrnice týkající se elektromagnetické kompatibility (2004/108/ES)
- Směrnice týkající se spotřebičů plyných paliv (2006/95/ES)



## OBSAH

### POKYNY PRO UŽIVATELE

1. Upozornění před instalací	114
2. Uvedení před uvedením do provozu	114
3. Uvedení do provozu	115
4. Nastavení prostorové teploty a TV	115
5. Popis tlačítka  (Léto - Zima – Pouze vytápění - Vypnuto)	116
6. Provozní kontroly	116
7. Vypnutí kotle	116
8. Výměna plynu	116
9. Dlouhodobé nepoužívání systému. Ochrana proti zamrznutí.	117
10. Kontrolky - zásahy bezpečnostního systému	117
11. Pokyny pro řádnou údržbu	117

### POKYNY PRO INSTALATÉRY

12. Všeobecná upozornění	118
13. Upozornění před instalací	118
14. Instalace kotle	119
15. Rozměry kotle	119
16. Instalace potrubí odtah spalin - sání	120
17. Elektrické připojení	124
18. Připojení prostorového termostatu	124
19. Způsob změny plynu	125
20. Zobrazení parametrů na displeji kotle (funkce „info“)	127
21. Nastavení parametrů	128
22. Regulační a bezpečnostní prvky	129
23. Umístění zapalovací elektrody a kontrola plamene	130
24. Kontrola parametrů spalování	130
25. Údaje o průtoku vody/výtlačné výšce na výstupu kotle	130
26. Připojení vnější sondy	131
27. Roční údržba	131
28. Funkční schéma okruhů	132
29. Schéma připojení konektorů	133
30. Předpisy a zásady	134
31. Technické údaje	136



BAXI S.p.A., vedoucí evropská společnost ve výrobě plynových kotlů a topných systémů vysoké technologie vlastní certifikát CSQ pro systémy řízení kvality (ISO 9001), na životní prostředí (ISO 14001), na zdraví a bezpečí (OHSAS 18001). Tento fakt potvrzuje, že Baxi S.p.A. shledává jako vlastní strategický plán ochranu životního prostředí, spolehlivost a kvalitu vlastních výrobků, zdraví a bezpečnost svých zaměstnanců. Společnost prostřednictvím vlastní organizace je nepřetržitě zaměstnaná uskutečňováním a zlepšováním těchto aspektů pro spokojenost svých klientů



# 1. UPOZORNĚNÍ PŘED INSTALACÍ

Tento kotel slouží k ohřívání vody na teplotu nižší než je bod varu při atmosférickém tlaku. Kotel musí být v závislosti na provedení a výkonu připojen na systém vytápění a k rozvodné síti TUV.

Před samotným připojením kotle je nutné zajistit:

- a) kontrolu, zda stav seřízení kotle (druh paliva a jeho připojovací přetlak), uvedený na výrobním štítku nebo na doplňkovém výrobním štítku, odpovídá místním připojovacím podmínkám.
- b) Montáž odkouření musí být provedena pečlivě, aby nemohlo dojít k míchání spalin z výfukového potrubí.
- c) U kotlů v provedení „turbo“, spotřebiče kategorie C musí být odkouření provedeno v souladu s předpisem TPG 8001.

Abyste byli zajištěni bezchybným provozem a zárukou zařízení, je nutné dodržet následující pokyny:

## 1. Okruh TUV:

- 1.1. pokud tvrdost vody překročí hodnotu 20 °F (1 °F = 10 mg uhličitany vápenatého na litr vody) je povinná instalace dávkovače polyfosfátů nebo systému se stejným účinkem, který odpovídá platným normám.
- 1.2. Po instalaci kotle a před jeho spuštěním do provozu je nutné systém důkladně vyčistit.
- 1.3. materiály použité pro okruh UV jsou v souladu se směrnicí 98/83/CE.

## 2. Okruh vytápění

### 2.1. Nový systém

Před instalací kotle musí být systém důkladně vyčištěn od zbytků nečistot po řezání závitů, svařování a případných zbytků ředidel a pájecích past. Pro čištění použijte vhodné prostředky běžně dostupné na trhu (např. SENTINEL X300 nebo X400).

### 2.2. starší systém:

Před instalací kotle musí být systém dokonale vyčištěn od kalu a kontaminovaných látek. Pro čištění použijte vhodné prostředky běžně dostupné na trhu (viz bod 2.1).

Použití nevhodných – příliš kyselých nebo zásaditých – prostředků může poškodit použité materiály otopné soustavy (kovy, plasty a gumová těsnění).

Kotel a celá topná soustava se napouští čistou, chemicky neagresivní měkkou vodou. V případě vyšší tvrdosti dostupné vody doporučujeme použít vhodnou přípravku na úpravu vody pro topné systémy opatřené čerpadlem (např. INHICOR T). Použití těchto přípravků je nutné konzultovat i s ostatními dodavateli součástí otopné soustavy, jako jsou např. radiátory, rozvody a armatury.

Připomínáme, že usazeniny v topném systému způsobují funkční problémy v provozu kotle (např. přehřívání a hlučnost výměníku).

# 2. UPOZORNĚNÍ PŘED UVEDENÍM DO PROVOZU

Instalaci kotle, jeho přestavbu a popřípadě jeho seřízení smí provádět pouze odborný nebo způsobilý pracovník.

Po montáži kotle musí pracovník, který provedl instalaci, seznámit uživatele s provozem kotle a s bezpečnostními přístroji a musí mu předat alespoň návod k obsluze.

Pracovníci autorizovaného servisu ověří, že:

- a) údaje na výrobním štítku odpovídají údajům napájecí sítě (elektrické, vodovodní, plynové)
- b) instalace odpovídá platným normám, jejichž výňatek uvádíme v technickém návodu pro instalatéry.
- c) bylo řádně provedeno elektrické zapojení do sítě a uzemnění.

Je také nezbytné se řídit upozorněními uvedenými v tomto návodu.

Nastavení výkonového rozsahu kotle a ostatních parametrů musí být v souladu s technickými údaji. Jakékoli přetěžování a nesprávné užívání kotle může způsobit znehodnocení jeho komponent. Na takto poškozené komponenty nelze uplatňovat záruku.

Jednotlivá autorizovaná servisní místa jsou uvedena v příloženém seznamu.

V případě, že výše uvedené není dodrženo, ztrácí záruka platnost.

Před uvedením kotle do provozu odstraňte ochrannou fólii, ale nepoužívejte k tomu ostré nástroje nebo drsné materiály, které by mohly poškodit lak.

*Zařízení není určeno k používání fyzicky nebo duševně slabších, nezkušených a neznalých lidí (včetně dětí) nebo jen prostřednictvím odpovědné osoby, dozoru nebo instrukcí o používání zařízení.*



### 3. UVEDENÍ KOTLE DO PROVOZU

Pro správné spuštění postupujte následovně:

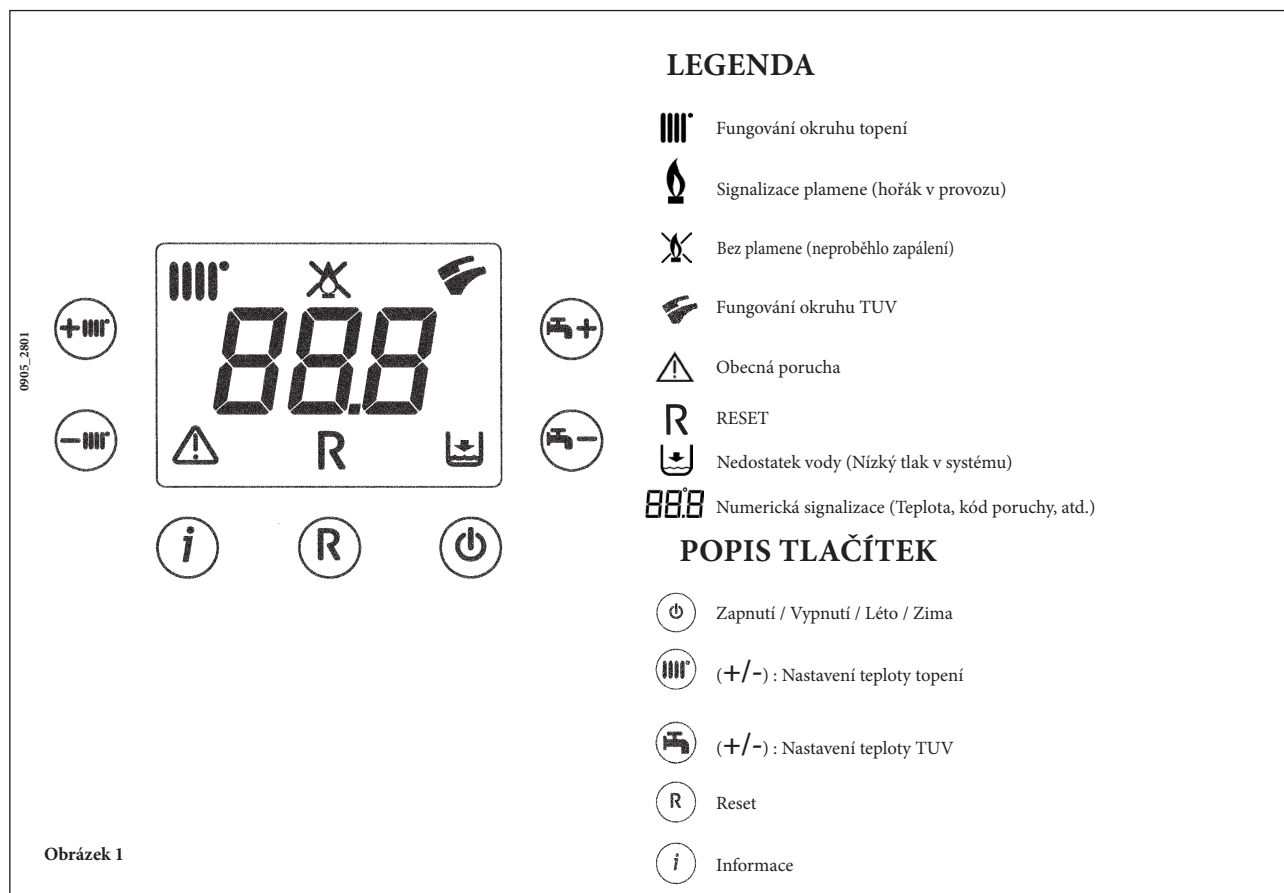
- 1) Připojte kotel k elektrické síti;
- 2) Otevřete plynový kohout;
- 3) stiskněte tlačítko (⏻) a nastavte kotel do režimu Léto (☀️), Zima (❄️) nebo pouze vytápění (🔥);
- 4) stiskněte tlačítka (+/-) pro nastavení teploty okruhu vytápění (🔥) a TUV (🚿) tak, aby se zapálil hořák.

Je – li kotel v provozu, na displeji se zobrazuje symbol (🔥).

V poloze Léto (☀️) je hořák v provozu pouze v případě odběru TUV.

#### Upozornění

Ve fázi prvního spuštění, před úplným odvzdušněním plynového potrubí, může dojít k tomu, že se hořák nezapálí a tím pádem se zablokuje kotel. V tomto případě doporučujeme opakovat postup zapalování do té doby, než se plyn dostane k hořáku, přičemž se zmáčkne alespoň na 2 sekundy tlačítko (R).



### 4. REGULACE TEPLoty V MÍSTNOSTECH A TUV

Systém musí být vybaven prostorovým termostatem, aby bylo možné regulovat teplotu v místnostech.

Regulace teploty v místnostech (🔥) a TUV (🚿) se provádí stisknutím tlačítek +/- (obrázek 1). Zapálení hořáku se na displeji zobrazuje symbolem (🔥) dle popisu v kapitole 3.1.

#### Vytápění

V režimu vytápění je na displeji (obrázek 1) zobrazen blikající symbol (🔥) a teplota na vstupu do topení (°C).


#### TUV

Během provozu kotle v režimu výroby TUV je na displeji (obrázek 1) zobrazen blikající symbol (🚿) a teplota na vstupu do okruhu TUV (°C).

## 5. POPIS TLAČÍTKA (LÉTO - ZIMA – POUZE VYTÁPĚNÍ - VYPNUTO)

Stisknutím tohoto tlačítka je možné nastavit následující režimy provozu kotle:

- Léto
- Zima
- Pouze vytápění
- Vypnuto

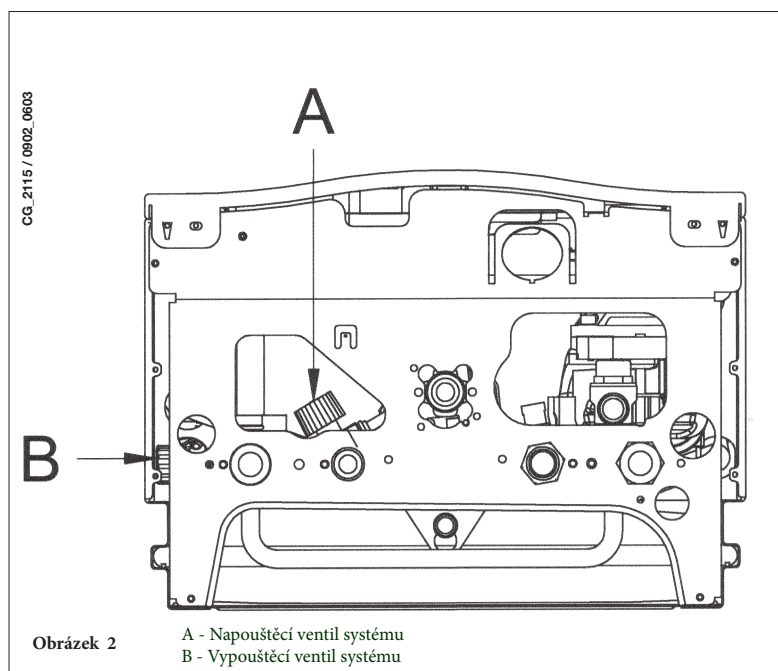
V režimu **Léto** je na displeji zobrazen symbol . Kotel pracuje pouze v režimu TUV, vytápění NENÍ v provozu (protizámrazová funkce je v provozu).

V režimu **Zima** jsou na displeji zobrazeny symboly  . Kotel pracuje jak v režimu TUV, tak v režimu vytápění (protizámrazová funkce je v provozu).

V režimu **Pouze vytápění** je na displeji zobrazen symbol . Kotel pracuje pouze v režimu vytápění (protizámrazová funkce je v provozu).

Zvolíte-li režim **Vypnuto**, na displeji se nezobrazuje žádný ze symbolů  . V tomto režimu je aktivní pouze protizámrazová funkce.

## 6. PROVOZNÍ KONTROLY



### Upozornění

Odpojte kotel z elektrické sítě pomocí bipolárního vypínače.

**DŮLEŽITÉ:** Kotel je nedílnou součástí topného systému. Přestože je kotel v max. míře vybaven kontrolními a bezpečnostními elementy, je třeba pravidelně kontrolovat (alespoň 1-krát týdně), zda neuniká voda z kotle nebo z topného systému. Tlakoměr musí ukazovat hodnoty stanovené v projektu vytápění – min. 0,8 baru. V případě nižší hodnoty je nutné doplnit topnou vodu na hodnotu předepsanou projektem, ale vždy jen tehdy, má-li voda v celém topném systému teplotu asi 20°C.

Kotel je vybaven hydraulickým tlakovým spínačem, který v případě nedostatku vody zabrání chodu kotle.

**Poznámka:** Při častějším poklesu tlaku topné vody doporučujeme zavolat autorizovaný servis.

## 7. VYPNUTÍ KOTLE

Chcete-li kotel vypnout, přerušte přívod elektrického proudu do kotle. V režimu „VYPNUTO“ (kapitola 5) zůstává kotel mimo provoz (na displeji se zobrazuje nápis OFF), ale elektrické obvody kotle zůstávají pod elektrickým napětím a je aktivní funkce proti zamrznutí (kapitola 9).

## 8. VÝMĚNA PLYNU

Kotle mohou být provozovány jak na zemní plyn (metan), tak na propan nebo butan (propan – butan). V případě výměny plynu se obraťte na autorizovaný technický servis.

## 9. DLOUHODOBÉ NEPOUŽÍVÁNÍ SYSTÉMU. OCHRANA PROTI ZAMRZnutí

Pokud možno nevypouštějte vodu z celého systému vytápění, protože častá výměna vody způsobuje zbytečné a škodlivé usazování vodního kamene uvnitř kotle a topných těles. V případě, že nebudete topný systém během zimy používat a v případě nebezpečí mrazu, doporučujeme smíchat vodu v systému s vhodnými nemrzoucími směsmi určenými k tomuto účelu (např. polypropylénový glykol spolu s prostředky zabraňujícími usazování kotelního kamene a korozi).

Elektronické ovládání kotle je opatřeno funkcí proti zamrznutí v okruhu vytápění, která se aktivuje, když je teplota vody přiváděné do systému nižší než 5°C. Tato funkce uvede do provozu hořák, který pracuje až do doby, kdy teplota přiváděné vody dosáhne hodnoty 30°C.

Tato funkce je v provozu pokud:

- \* je kotel elektricky napájen;
- \* je připojen plyn;
- \* je v systému předepsaný tlak vody;
- \* kotel není zablokovaný.

V případě, že nebudete kotel používat a mohlo by dojít ke snížení teploty okolního prostředí pod bod mrazu, je nutné zajistit okruh teplé užitkové vody, např. vypuštěním vody ze systému TUV.

## 10. SIGNALIZACE - ZÁSADY BEZPEČNOSTNÍHO SYSTÉMU

V případě poruchy se na displeji zobrazí a jsou označeny kódem (např. E 01):



Chcete-li OBNOVIT CHOD kotle, stiskněte alespoň na 2 sekundy tlačítko «R».

**Poznámka:** Pokus o obnovení chodu kotle je možné provést maximálně 5-krát po sobě. Poté se kotel zablokuje.

Pro opětovné obnovení chodu kotle je nutné na pársekund vypnout kotel.

ZOBRAZOVANÝ KÓD	PORUCHA	ZÁSADY
E01	Neproběhlo zapálení hořáku	Stiskněte alespoň na 2 sekundy tlačítko „r“. V případě, že se bude porucha opakovat, kontaktujte autorizovaný servis.
E02	Zásah bezpečnostního termostatu	Stiskněte alespoň na 2 sekundy tlačítko „r“. V případě, že se bude porucha opakovat, kontaktujte autorizovaný servis.
E03	Zásah termostatu spalín / manostatu	Kontaktujte autorizovaný servis.
E04	Zablokování z důvodu častého (6 x) zhasínání plamene	Stiskněte alespoň na 2 sekundy tlačítko „r“. V případě, že se bude porucha opakovat, kontaktujte autorizovaný servis.
E05	Poškozená sonda na výstupu do topení	Kontaktujte autorizovaný servis.
E06	Poškozená sonda TUV	Kontaktujte autorizovaný servis.
E10	Neproběhlo sepnutí tlakového spínače	Ověřte, zda je v systému předepsaný tlak. Viz kapitola 6. Pokud porucha trvá, kontaktujte autorizovaný servis.
E25/E26	Bezpečnostní zásah z důvodu pravděpodobného zablokování čerpadla	Kontaktujte autorizovaný servis.
E27	Nesprávná poloha sondy TV	Nejméně na 2 sekundy stiskněte tlačítko „R“. V případě opakovaného zákroku tohoto zařízení kontaktujte autorizovaný technický servis.
E32	Zanešení vodním kamenem	Kontaktujte autorizovaný servis.
E35	Porucha plamene	Stiskněte alespoň na 2 sekundy tlačítko „r“. V případě, že se bude porucha opakovat, kontaktujte autorizovaný servis.
E96	Vypnutí způsobené kolísáním napětí	RESET proběhne automaticky. V případě, že porucha trvá, kontaktujte autorizovaný servis.

**Poznámka:** v případě výskytu poruchy bliká zároveň se zobrazovaným kódem poruchy také pozadí číselníku displeje.

## 11. POKYNY PRO ŘÁDNOU ÚDRŽBU

Aby byl zaručen bezchybný provoz a bezpečnost kotle je nezbytné na konci každé sezóny zajistit jeho prohlídku autorizovaným technickým servisem. Pečlivá údržba kotle umožňuje i úsporu nákladů na provoz celého systému.

Čištění povrchu kotle nikdy neprovádějte pomocí brusných, agresivních a/nebo snadno hořlavých prostředků (např. benzín, alkohol, atd.). V průběhu čištění nesmí být kotel v provozu (viz kapitola 7 „vypnutí kotle“).

## 12. VŠEOBECNÁ UPOZORNĚNÍ

Následující pokyny a poznámky jsou určeny pro instalatéry, kterým umožní bezchybnou instalaci. Pokyny týkající se spuštění a provozu kotle jsou obsaženy v té části návodu, která je určena uživateli.

Instalaci kotle smí provádět pouze firma odborně způsobilá dle příslušných českých zákonů, norem a předpisů.

Po montáži kotle musí pracovník, který provedl instalaci, seznámit uživatele s provozem kotle a s bezpečnostními přístroji a musí mu předat alespoň návod k obsluze.

Kromě výše uvedeného je nutné dodržovat následující:

- Kotel může být používán s jakýmkoli typem konvektoru, radiátoru, či termokonvektoru s jedno či dvou trubkovým napájením. Návrh a výpočet topného systému provádí projektant na základě grafu průtoku vody/výtlačné výšky na výstupu z kotle (kapitola ...), s přihlédnutím na ostatní součásti topné soustavy (např. čerpadla, armatury, tělesa atd.)
  - Části balení (plastové sáčky, polystyrén, atd.) nesmí být ponechány v dosahu dětí, neboť jsou potencionálním zdrojem nebezpečí.
  - První spuštění kotle musí být provedeno autorizovaným technickým servisem. Jednotlivá autorizovaná servisní místa jsou uvedena v příloženém seznamu.
- V případě, že výše uvedené nebude respektováno, ztrácí záruční list platnost.

### UPOZORNĚNÍ – PŘÍDAVNÉ ČERPADLO

V případě, že budete chtít použít přídatné čerpadlo v systému vytápění, instalujte ho do vratného okruhu kotle. Je to z důvodu správného fungování tlakového spínače.

### UPOZORNĚNÍ – SOLÁRNÍ SYSTÉM

V případě připojení kotle s průtokovým ohřevem (kombinovaného) k systému se solárními panely, teplota TUV na vstupu do kotle nesmí být vyšší než 60°C.

## 13. UPOZORNĚNÍ PŘED INSTALACÍ

Tento kotel slouží k ohřívání vody na teplotu nižší než je bod varu při atmosférickém tlaku. Kotel musí být v závislosti na provedení a výkonu připojen na systém vytápění a k rozvodné síti TUV.

Před samotným připojením kotle je nutné zajistit:

- a) kontrolu, zda stav seřízení kotle (druh paliva a jeho připojovací přetlak), uvedený na výrobním štítku nebo na doplňkovém výrobním štítku, odpovídá místním připojovacím podmínkám.
- b) Provést revizi komínu dle platných ČN a předpisů. Tuto revizi provede autorizovaný kominický mistr, který vystaví osvědčení o stavu komínu a povolení k zaústění spotřebiče o odpovídajícím výkonu (pouze komínové spotřebiče).
- c) U kotlů v provedení „turbo“, spotřebiče kategorie C musí být odkouření provedeno v souladu s předpisem TPG 8001.
- d) Spotřebiče s odtahem spalin do komína nesmějí být umístěny v místnostech, kde by mohl vzniknout podtlak vlivem sacích ventilátorů, popř. krbů.  
V každém případě musí být zajištěn dostatečný přívod vzduchu pro spalování dle platných norem.

Aby byl zajištěn bezchybný provoz a záruka zařízení, je nutné dodržet následující pokyny:

#### 1. Okruh TUV:

- 1.1. pokud tvrdost vody překročí hodnotu 20 °F (1 °F = 10 mg uhličitánu vápenatého na litr vody) je povinná instalace dávkovače polyfosfátů nebo systému se stejným účinkem, který odpovídá platným normám.
- 1.2. Po instalaci kotle a před jeho spuštěním do provozu je nutné systém důkladně vyčistit.
- 1.3. materiály použité pro okruh UV jsou v souladu se smernicí 98/83/CE.

#### 2. Okruh vytápění

##### 2.1. nový systém

Před instalací kotle musí být systém důkladně vyčištěn od zbytků nečistot po řezání závitů, svařování a případných zbytků ředidel a pájecích past. Pro čištění použijte vhodné prostředky běžně dostupné na trhu (např. SENTINEL X300 nebo X400).

##### 2.2. Starší systém:

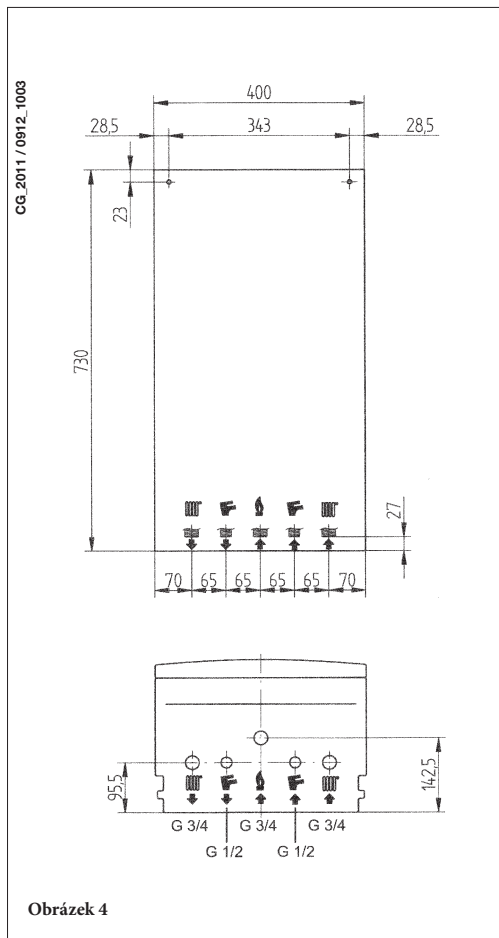
Před instalací kotle musí být systém dokonale vyčištěn od kalu a kontaminovaných látek. Pro čištění použijte vhodné prostředky běžně dostupné na trhu (viz bod 2.1).

Použití nevhodných – příliš kyselých nebo zásaditých – prostředků může poškodit použité materiály otopné soustavy (kovy, plasty a gumová těsnění).

Kotel a celá topná soustava se napouští čistou, chemicky neagresivní měkkou vodou. V případě vyšší tvrdosti dostupné vody doporučujeme použít vhodné přípravky na úpravu vody pro topné systémy opatřené čerpadlem (např. INHICOR T). Použití těchto přípravků je nutné konzultovat i s ostatními dodavateli součástí otopné soustavy, jako jsou např. radiátory, rozvody a armatury.

Připomínáme, že usazeniny v topném systému způsobují funkční problémy v provozu kotle (např. přehřívání a hlučnost výměníku).

## 14. INSTALACE KOTLE



Po stanovení přesného umístění kotle, upevněte na zeď šablonu. Při instalaci postupujte od připojení vody a plynu, které se nachází na spodní části šablony.

Doporučujeme nainstalovat na okruh vytápění dva uzavírací kohouty (na výstupu a na vstupu) G3/4, dodávané na objednávku, které, v případě důležitých zásahů, umožňují manipulaci bez nutnosti vypuštění celého systému vytápění. V případě již existujících systémů nebo v případě výměn, doporučujeme kromě výše uvedeného instalovat na zpátečku a na spodní části kotle také vhodný filtr na zachycování usazenin a nečistot, které se mohou vyskytovat i po vyčištění a časem by mohly poškodit součásti kotle. Nevhodný filtr může způsobit značný odpor v hydraulickém systému a tím zhoršit popř. zamezit předávání tepla. Po upevnění kotle na zeď proveďte připojení odkouření, které je dodáváno jako příslušenství ke kotli, podle návodu v následujících kapitolách.

### Upozornění

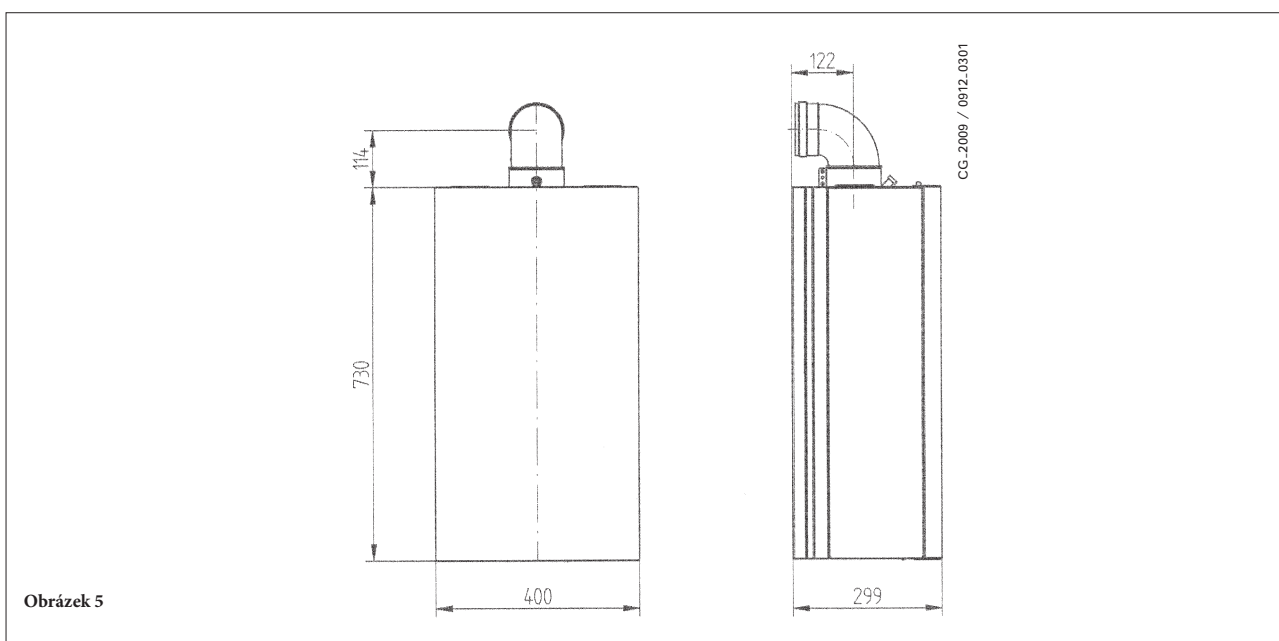
Utahujte opatrně hydraulická připojení na vsuvky kotle (maximální svírací převod 30 Nm).

	G <sup>3/4</sup> VSTUP DO TOPENÍ
	G <sup>3/4</sup> ZPÁTEČKA Z TOPENÍ
	G <sup>1/2</sup> VÝSTUP TUV
	G <sup>1/2</sup> VSTUP STUDENÉ UŽ. VODY
	G <sup>3/4</sup> VSTUP PLYNU

### UPOZORNĚNÍ

Utahujte opatrně hydraulická připojení na vsuvky kotle (maximální svírací převod 30 Nm).

## 15. ROZMĚRY KOTLE



## 16. INSTALACE POTRUBÍ ODTAHU SPALIN – SÁNÍ

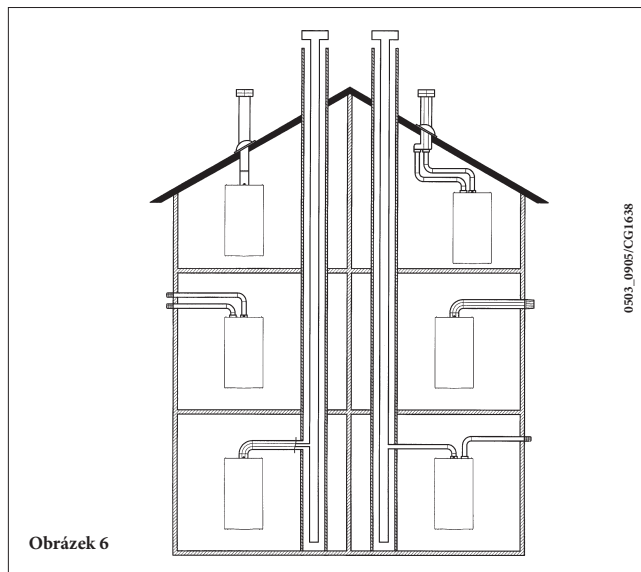
Kotel musí být instalován s nezbytným příslušenstvím (potrubím pro přivádění spalovacího vzduchu a pro odvádění spalin).

**K instalaci používejte výhradně příslušenství dodávané výrobcem!**

Instalace kotle je snadná a jednoduchá díky dodávanému příslušenství, jehož popis je uveden v následujících částech tohoto návodu.

Kotel je z výroby přednastaven na připojení potrubí odtahu spalin a sání koaxiálního typu, vertikálního nebo horizontálního. Pomocí dělicí sady je možné instalovat také dělené odkouření

**UPOZORNĚNÍ:** Pro vyšší bezpečnost provozu je nutné, aby bylo vedení odtahu spalin dobře upevněno na zeď pomocí příslušných svorek.

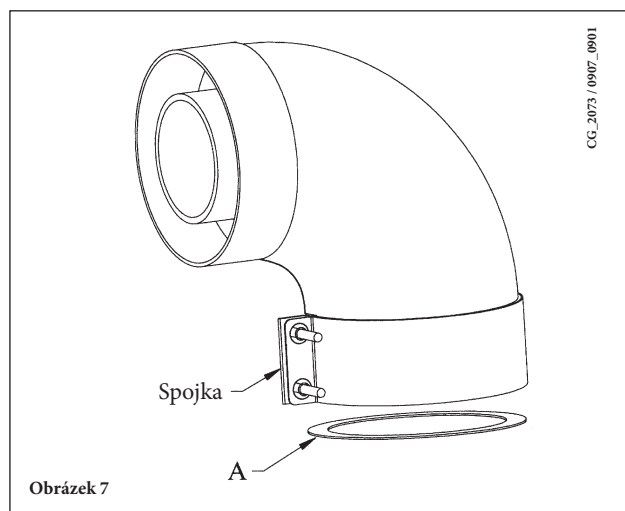


Obrázek 6

### ... ODTAH SPALIN A SÁNÍ - KOAXIÁLNÍ (KONCENTRICKÉ)

Tento typ umožňuje odtah spalin a sání spalovacího vzduchu jak vně budovy, tak v kouřovodu typu LAS.

Koaxiální koleno o 90° umožňuje připojit kotel k potrubí odtahu spalin – sání jakéhokoli směru díky možnosti rotace o 360°. Toto koleno může být použito také jako přídatné koleno potrubí odtahu spalin, potrubí sání nebo s kolenem o 45°.



CG\_2073 / 0907\_0901

V případě, že je vedení odtahu spalin a sání vedeno vně budovy, potrubí odtahu spalin - sání musí vystupovat ze zdi alespoň 18 mm, aby bylo možné umístit růžici a utěsnit ji proti prosakování vody.

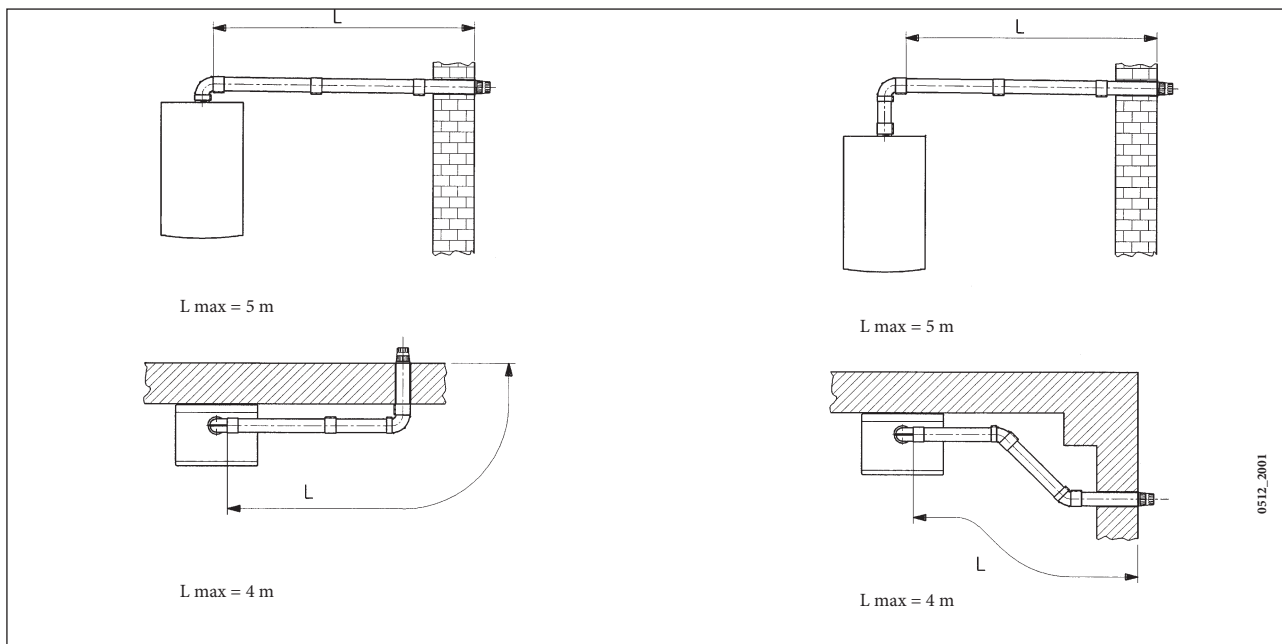
V případě, že nemůže být provedeno spádování vedení odtahu spalin směrem ven z kotle 1 cm na metr délky, musí být namontován kondenzační kus.

- Při použití kolena o 90° se zkracuje celková délka vedení odtahu spalin a sání o 1 metr.
- Při použití kolena o 45° se zkracuje celková délka vedení odtahu spalin a sání o 0,5 metru.

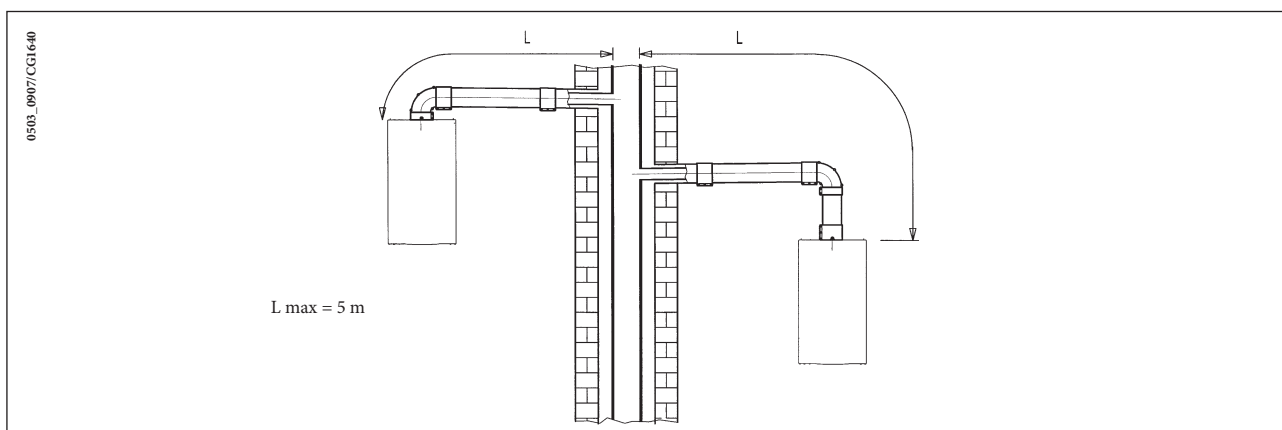
*První koleno 90° není zahrnuto do výpočtu maximální délky odkouření.*

Délka (m)	použití clony na vedení odtahu spalin Ⓐ
0 ÷ 1	Ano
1 ÷ 5	Ne

## 16.1 PŘÍKLADY INSTALACE S HORIZONTÁLNÍM VEDENÍM ODTAHU SPALIN A SÁNÍ

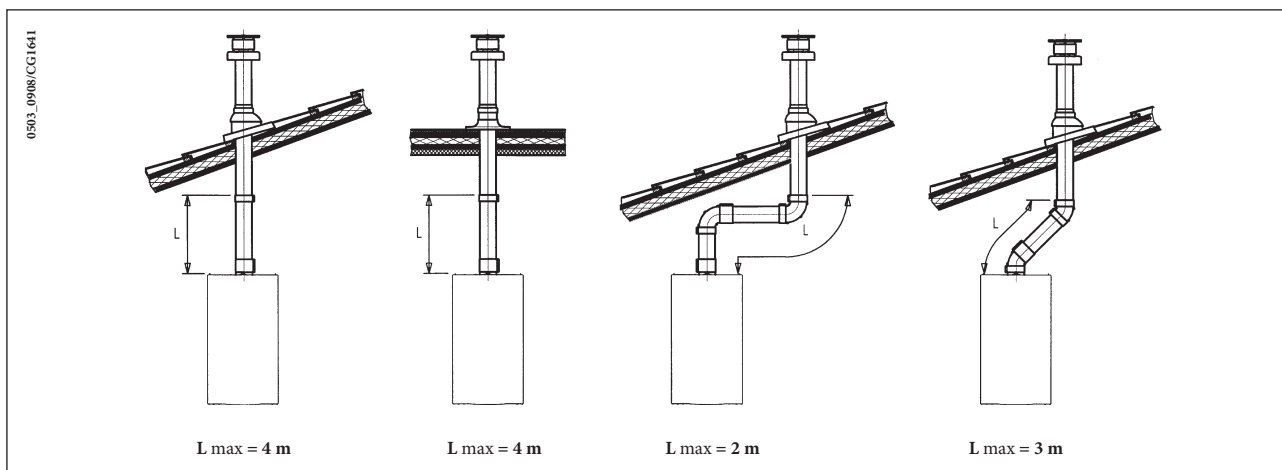


## 16.2 PŘÍKLADY INSTALACE S KOUŘOVODEM TYPU LAS



## 16.3 PŘÍKLADY INSTALACE S VERTIKÁLNÍM VEDENÍM ODTAHU SPALIN A SÁNÍ

Instalace může být provedena jak do šikmé, tak do vodorovné střechy s využitím komínové koncovky a příslušné tašky. Toto příslušenství je dodáváno na objednávku.



Podrobnější návod, týkající se způsobů montáže příslušenství, je uveden v technických údajích, které jsou součástí příslušenství.



### ... ODDĚLENÉ POTRUBÍ ODTAHU SPALIN – SÁNÍ

Tento typ umožňuje odtažení spalin jak vně budovy, tak přes jednotlivé kourňovody. Sání spalovacího vzduchu může být prováděno v jiných zónách, než je vyústění odtažení spalin. Sada děleného odkouření se skládá z redukční spojky odtažení spalin (100/80) a ze spojky sání vzduchu.

Použijte těsnění a šrouby spojky sání vzduchu, které jste dříve sňali ze zátky.

(L1+L2)	poloha clony	Použití clony na vedení odtažení spalin Ⓐ	CO <sub>2</sub> %	
			G20	G31
0 ÷ 4	1	NE	6,4	7,4
4 ÷ 18	2			
18 ÷ 30	3			

*První koleno 90° není zahrnuto do výpočtu maximální délky odkouření.*

Koleno o 90° umožní připojit kotel k potrubí odtažení spalin a sání jakéhokoli směru díky možnosti rotace o 360°. Toto koleno může být používáno také jako přídatné koleno potrubí odtažení spalin, potrubí sání nebo s kolenem o 45°.

- Při použití kolena o 90° se zkracuje celková délka vedení odtažení spalin a sání o 0,5 metru.
- Při použití kolena o 45° se zkracuje celková délka vedení odtažení spalin a sání o 0,25 metru.

### Nastavení clony vzduchu pro dělené odkouření

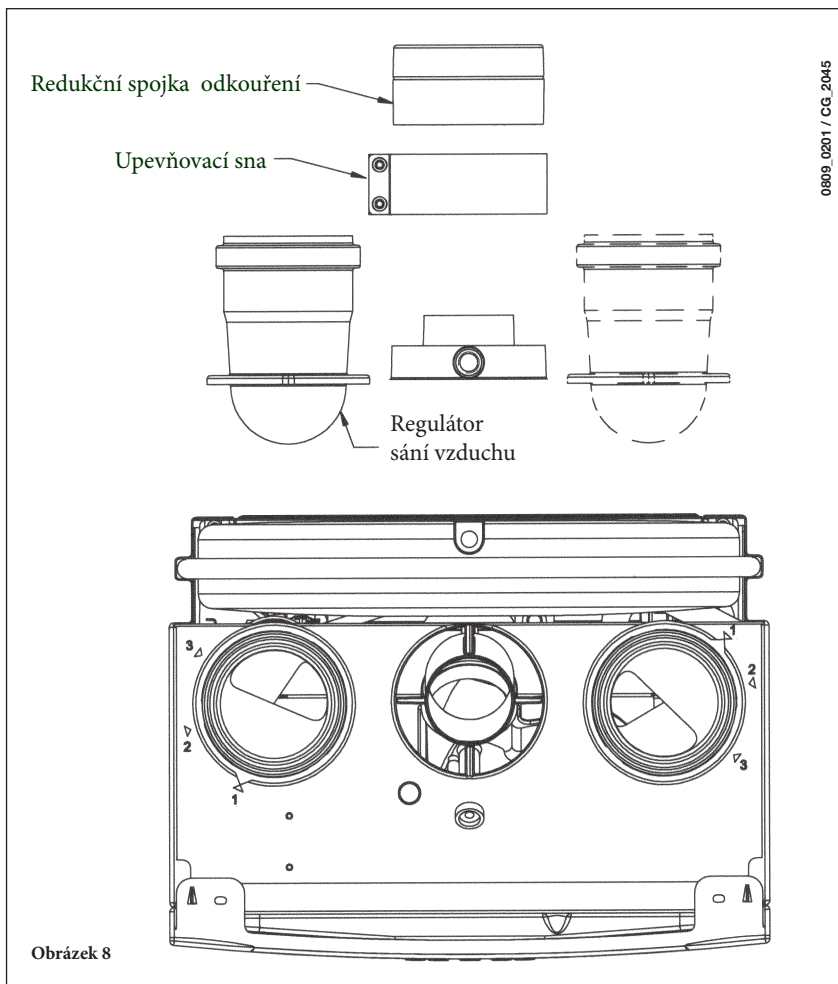
Nastavení této clony je nezbytné pro zlepšení účinnosti a parametrů spalování.

Otáčením spojky sání vzduchu, instalované vpravo či vlevo od odtažení spalin, je možné vhodně regulovat nadbytek vzduchu v závislosti na celkové délce potrubí odtažení spalin a sání spalovacího vzduchu.

V závislosti na typu instalace otáčejte clonu ve směru hodinových ručiček pro snížení přísunu spalovacího vzduchu a proti směru hodinových ručiček pro jeho zvýšení.

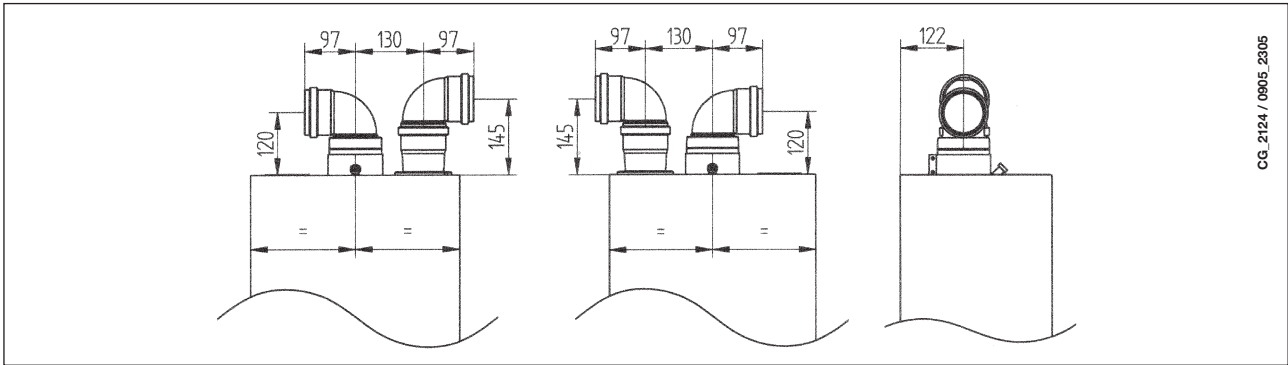
Pro zvýšení účinnosti je možné pomocí analyzátoru spalin změřit obsah CO<sub>2</sub> ve spalinách za maximálního tepelného výkonu a nastavovat postupně clonu vzduchu až k dosažení hladiny CO<sub>2</sub>, uvedené v předcházející tabulce.

Pokyny ke správné montáži této clony naleznete přímo v balení.



Obrázek 8

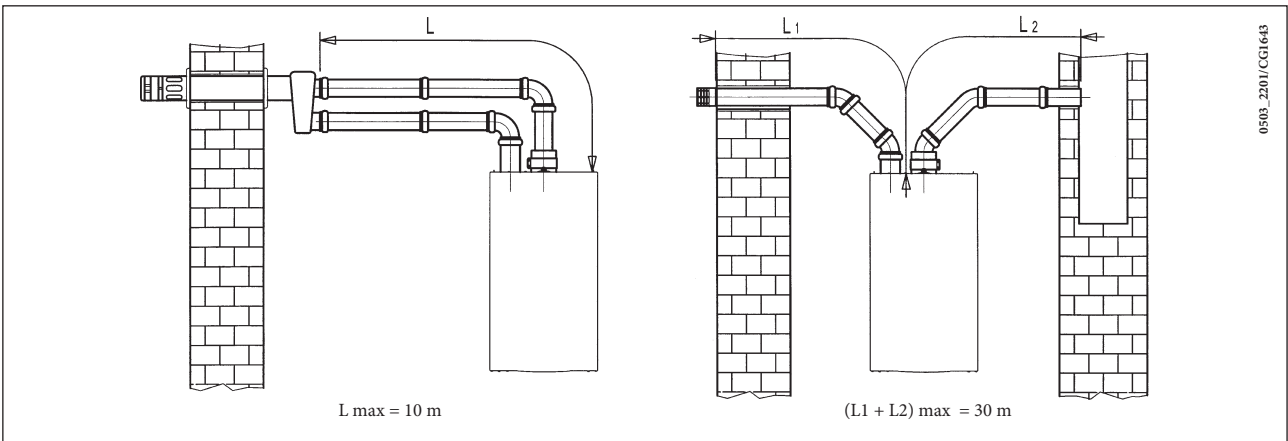
## 16.4 NÁKRES DĚLENÉHO ODKOUŘENÍ



## 16.5 PŘÍKLADY INSTALACE S DĚLENÝM HORIZONTÁLNÍM VEDENÍM ODTAHU SPALIN A SÁNÍ

**DŮLEŽITÉ** - V případě, že nemůže být provedeno spádování vedení odvodu spalin směrem ven z kotle 1 cm na metr délky, musí být namontován kondenzační kus.

V případě instalace kondenzačního T-kusu musí být spádování vedení odvodu spalin otočeno směrem k tomuto kusu.

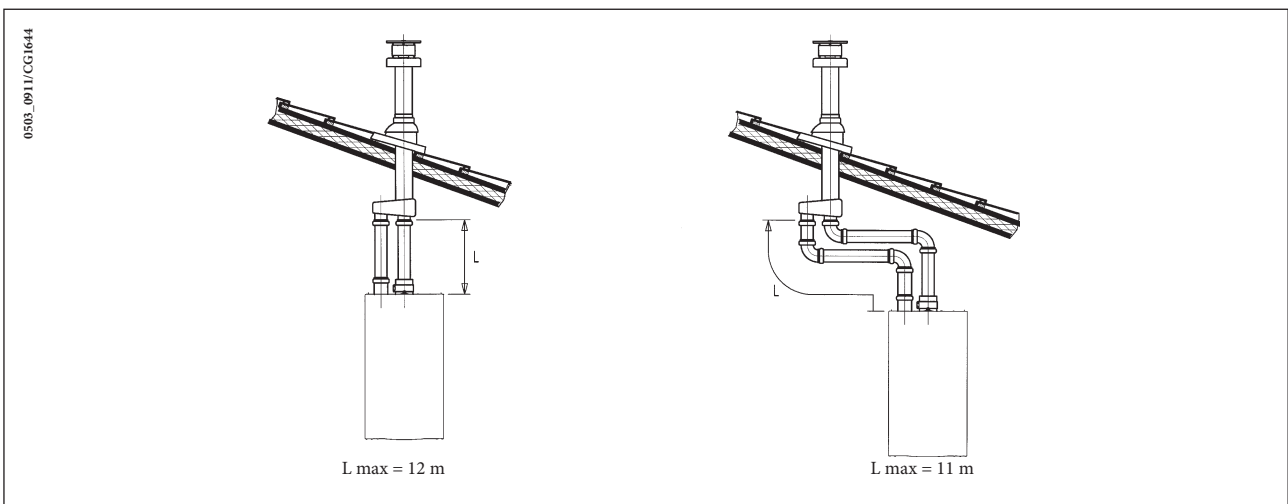


**Upozornění:** V případě instalace sání vzduchu z místnosti „provedení B<sub>22</sub>“ je nutné zabezpečit dostatečný přívod vzduchu pro spalování do místnosti, ve které je toto zařízení umístěno dle TPG 704 01.

Pro typ C52 nesmí být koncovky potrubí pro přivádění spalovacího vzduchu a pro odvádění spalin umístěny na protilehlých stěnách budovy.

Vedení sání musí mít maximální délku 10 metrů. V případě, že je délka vedení odvodu spalin delší než 4 metry je nezbytné instalovat do blízkosti kotle kondenzační T-kus, který je dodáván jako příslušenství.

## 16.6 PŘÍKLADY INSTALACE S DĚLENÝM VERTIKÁLNÍM ODKOUŘENÍM



**Důležité:** všechna vedení odvodu spalin a sání musí být v místech, kde se dotýkají stěn bytu, dobře izolované pomocí vhodného izolačního materiálu (např. izolace ze skelné vaty).

Podrobnější pokyny o způsobu montáže příslušenství jsou uvedeny v technických návodech, které jsou součástí jednotlivých příslušenství.

## 17. ELEKTRICKÉ PŘIPOJENÍ

Elektrická bezpečnost přístroje je dosažena pouze v případě, že je kotel správně připojen na účinné uzemnění podle platných norem o bezpečnosti zařízení ČSN 332180.

Kotel se připojuje do jednofázové elektrické napájecí sítě o 230 V s uzemněním pomocí trojžilového kabelu, který je součástí vybavení kotle, přičemž je nutné dodržet polaritu Fáze – Nula.

**Připojení proveďte pomocí dvoupólového vypínače s otevřením kontaktů alespoň na 3 mm.**

V případě, že je potřeba vyměnit napájecí kabel, použijte harmonizovaný kabel „HAR H05 VV-F“ 3x0,75 mm<sup>2</sup> s maximálním průměrem 8 mm.

...Přístup k napájecí svorkovnici M1

- pomocí dvoupólového vypínače odpojte elektrické napájení svorkovnice;
- odšroubujte dva upevňovací šrouby panelu kotle;
- vyklopte ovládací panel
- odstraněním poklopu se dostanete k elektrickému připojení (obrázek 9).

Pojistky typu 2A jsou umístěna v napájecí svorkovnici (při kontrole a/nebo výměně vytáhněte držák pojistky černé barvy).

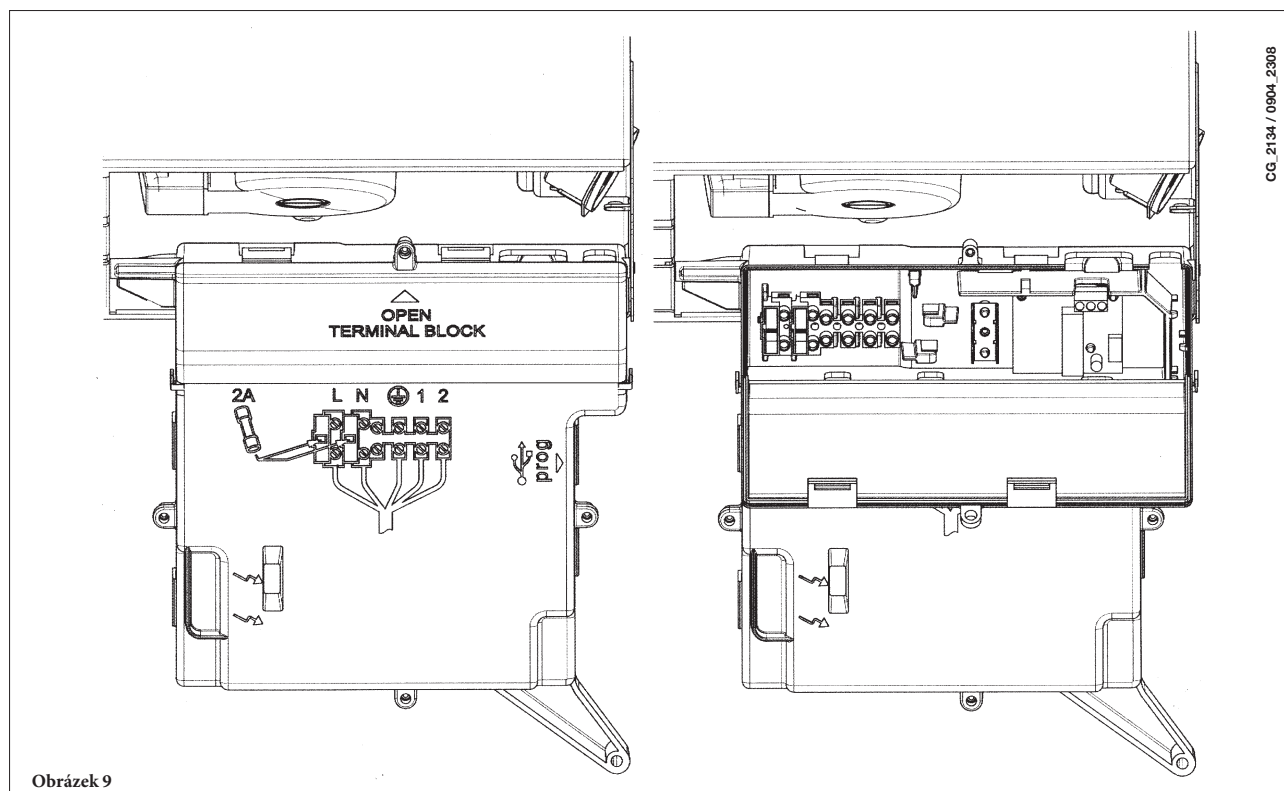
**DŮLEŽITÉ:** dodržujte polaritu napájení L (FÁZE) – N (NULA).

(L) = Fáze (hnědá)

(N) = Nula (světle modrá)

(⊕) = Uzemnění (žluto-zelená)

(1) (2) = Kontakt prostorového termostatu



## 18. PŘIPOJENÍ PROSTOROVÉHO TERMOSTATU

Přistupte k napájecí svorkovnici (obrázek 9) podle popisu v předcházející kapitole;

- Vytáhněte můstek, který se nachází na svorkách (1) a (2).
- Protáhněte dvoužilový kabel skrz kabelovou průchodku a připojte ho k těmto dvěma svorkám.

## 19. ZPŮSOB ZMĚNY PLYNU

Kotel může být autorizovaným technickým servisem transformován pro použití na zemní plyn (G.20), nebo propan (G 31).

Postup změny nastavení regulátoru tlaku je následující:

- A) výměna trysek hlavního hořáku;
- B) změna napětí v modulátoru;
- C) nové nastavení maximálních a minimálních hodnot regulátoru tlaku plynové armatury.

### A) Výměna trysek

- opatrně vyjměte hlavní hořák;
- vyměňte trysky hlavního hořáku a dbejte na to, aby byly důkladně utaženy, aby nedocházelo k únikům plynu. Průměry trysek jsou uvedeny v tabulce 2.

### B) Změna napětí v modulátoru

- můstek nebo spínač, který se nachází na elektronické desce umístěte v závislosti na typu použitého plynu, podle popisu v kapitole 21;

### C) Nastavení regulátoru tlaku

- připojte kladný vstup diferenčního manometru k výstupu (Pb) plynové armatury (obrázek 12). Pouze u typů s uzavřenou komorou připojte záporný vstup téhož manometru k příslušnému „T“, které umožní propojení kompenzačního výstupu kotle, plynové armatury (Pc) a manometru.

(Stejnou hodnotu je možné docílit propojením jen kladného vstupu manometru (Pb) s odstraněným panelem uzavřené komory); Měření tlaku na tryskách prováděné jinou metodou, než je výše popsána, by mohlo být nepřesné, protože by nezahrnovalo podtlak způsobený ventilátorem v uzavřené komoře.

#### C1) Nastavení na jmenovitý výkon:

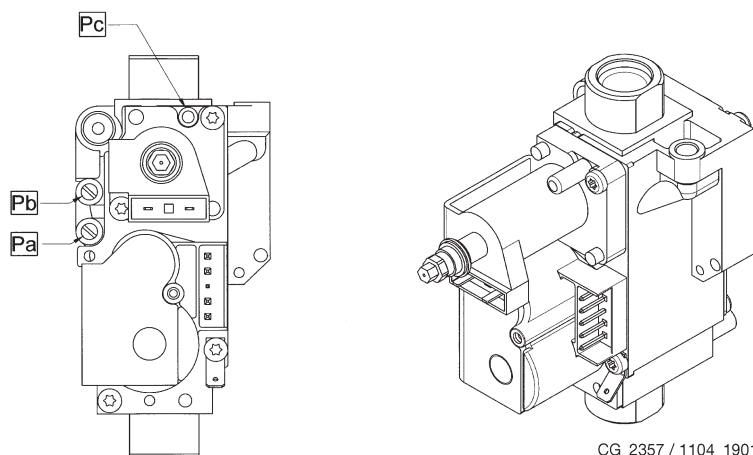
- Otevřete plynový kohout a otočte ovladačem (1) do polohy Zima;
- Otevřete kohouty odběru užitkové vody na průtok alespoň 10 litrů za minutu a ujistěte se, že je nastavena požadovaná teplota na maximum;
- odstraňte kryt modulátoru;
- otáčením mosazného šroubu (A) nastavte hodnoty přetlaku uvedené v tabulce 1;
- ověřte, zda je správně nastaven vstupní přetlak plynu do kotle, měřený na sondě (Pa) plynové armatury (obrázek 12) (37 mbar pro propan nebo 20 mbar pro zemní plyn);

#### C2) Nastavení na minimální výkon:

- odpojte napájecí kabel modulátoru a otáčením šroubu (B) nastavte minimální přetlak odpovídající minimálnímu výkonu (viz tabulka 1);
- znovu připojte kabel;
- namontujte kryt modulátoru a zapečete upevňovací šrouby.

#### C3) Závěrečná prověření

- nalepte přídatný štítek dodávaný pro případ změny plynu, na kterém je specifikován druh plynu a provedené nastavení.



## 19.1 FUNKCE NASTAVENÍ PLYNOVÉ ARMATURY

Pro usnadnění úkonu nastavení plynové armatury je možné nastavit funkci nastavení přímo na ovládacím panelu kotle tak, jak je popsáno níže:

- stisknete současně a držete alespoň 6 vteřin stisknutá tlačítka + a +;
- přibližně po 6 vteřinách symboly a začnou blikat;
- na displeji se zobrazí s intervalem 1 vteřiny “100” a **přívodní teplota**.

V této fázi kotel funguje na maximální výkon ohřívání (100%).

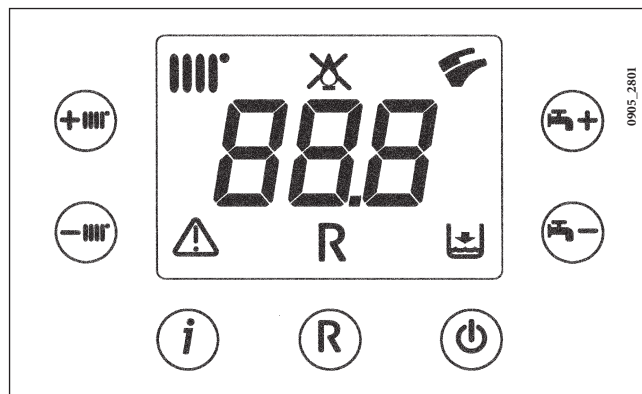
- stisknutím tlačítek +/- je možné nastavit okamžitě (100% nebo 0%) výkon kotle;
- Regulovat šroub “Pmax/Pmin” (obr. 10) až do dosažení hodnoty tlaku, který je v Tabulce 1.

Pro nastavení maximálního tlaku použijte šroub „Pmax“ (obr. 10) a otáčejte jím ve směru hodinových ručiček pro zvýšení nebo proti směru hodinových ručiček pro snížení tlaku hořáku.

Pro nastavení minimálního tlaku použijte šroub „Pmin“ (obr. 10) a otáčejte jím proti směru hodinových ručiček pro zvýšení nebo ve směru hodinových ručiček pro snížení tlaku hořáku.

- stisknutím tlačítek +/- je možné nastavit postupně požadovanou úroveň výkonu (interval = 1%).

Pro výstup z funkce stisknete tlačítko .



### Poznámka

Z funkce se automaticky vystoupí po uplynutí 15-ti minut, kdy se elektronická deska vrátí na stav, který předcházal aktivaci této funkce, nebo po dosažení maximální nastavené teploty.

## 19.2 ZMĚNA PARAMETRŮ

Postup pro přístup k parametrům je následující:

- stisknete současně tlačítka - a - a držete je stisknutá asi 6 vteřin, na displeji se objeví nápis “F01”, který se střídá s nastavenou hodnotou;
- po stisknutí tlačítek +/- se objeví seznam parametrů;
- pro snížení nebo zvýšení hodnoty zvoleného parametru stisknete příslušná tlačítka +/- ;
- stisknutím tlačítka uložíte do paměti naprogramování nastavených parametrů (na displeji se objeví po několika vteřinách nápis “MEM”).
- stisknutím tlačítka vystoupíte z programace bez uložení do paměti (na displeji se objeví po několika vteřinách nápis “ESC”).

### UPOZORNĚNÍ

Pro změnu plynu z G20 na G31 změňte parametry F02, F08, F09, F10 a F16 tak, jak je ukázáno v tabulce v odstavci 21. Přiložte příslušný štítek, který je součástí dodávky, kde je uveden typ plynu a nastavení plynové armatury.

#### Tabulka trysek hořáku

Druh plynu	G20	G31
Průměr trysek (mm)	1,28	0,77
Přetlak hořáku (mbar*) <b>Minimální výkon</b>	2,0	5,7
Přetlak hořáku (mbar*) <b>Maximální výkon</b>	11,2	32,6
Počet trysek	13	

\* 1 mbar = 10,197 mm H<sub>2</sub>O

Tabulka 1

Spotřeba 15°C-1013 mbar	G20	G31
<b>Maximální výkon</b>	2,73 m <sup>3</sup> /h	2,00 kg/h
<b>Minimální výkon</b>	1,12 m <sup>3</sup> /h	0,82 kg/h
<b>Výhřevnost plynu</b>	34,02 MJ/m <sup>3</sup>	46,34 MJ/kg

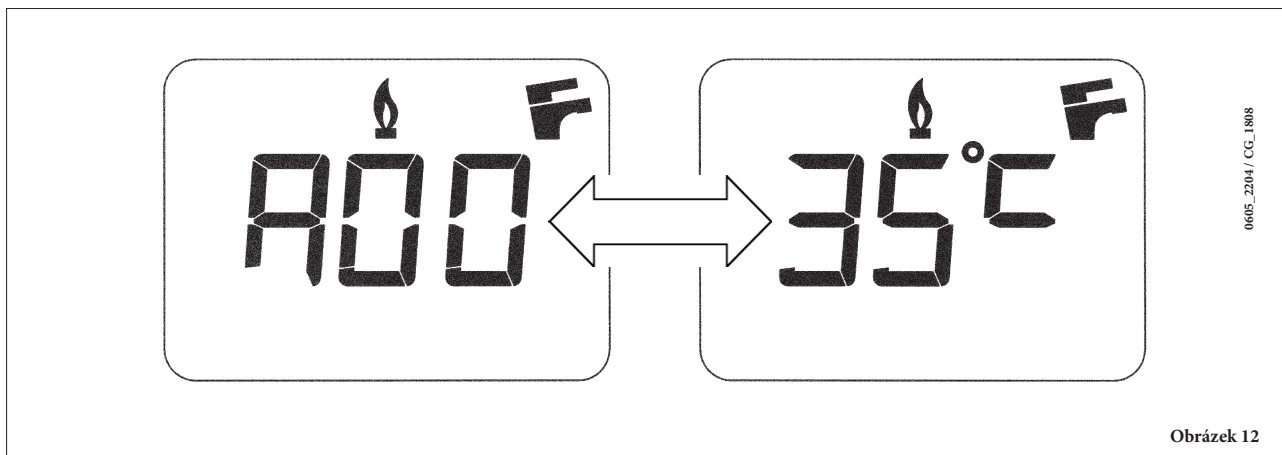
Tabulka 2

**Upozornění:** Seřízení a úprava kotle při změně jednoho paliva jiným palivem musí provádět pouze odborný vyškolený pracovník. Po přestavbě musí zařízení označit štítkem a zajistit proti neoprávněnému zásahu.

## 20. ZOBRAZENÍ PARAMETRŮ NA DISPLEJI (FUNKCE „INFO”)

Pro zobrazení některých informací o provozu kotle na displeji, který je umístěn na čelním panelu kotle, stiskněte alespoň na 5 sekund tlačítko „i”.

**POZNÁMKA:** pokud je funkce „inFo” aktivní, na displeji (obrázek 12) se zobrazuje nápis „a00”, který se střídá se zobrazením teploty na výstupu kotle:





- Stiskněte tlačítka  (+/-) pro zobrazení následujících informací:




A00: aktuální teplota (°C) TUV;  
A01: aktuální venkovní teplota (°C) (s připojenou venkovní sondou);  
A02: okamžitá hodnota (%) kontrolního signálu plynové armatury;  
A03: hodnota (%) rozsahu výkonu (MAX R);  
A04: teplota (°C) nastavení topení;  
A05: aktuální teplota (°C) vstupu do topení;  
A06: teplota (°C) nastavení TUV;  
A07: Nepoužívá se;  
A08: Nepoužívá se;  
A09: poslední zjištěná porucha kotle.

- Tato funkce je aktivní po dobu 3 minut. Funkci „INFO“ je možné předčasně ukončit tak, že alespoň na 5 sekund stisknete tlačítko „i“ nebo tak, že přerušíte přívod elektrického napětí do kotle.

## 21. NASTAVENÍ PARMETRŮ

Pro nastavení parametrů kotle stiskněte současně alespoň na 6 sekund tlačítko (– ) a tlačítko (– ) Pokud je funkce aktivní, na displeji se zobrazuje nápis “F01”, který se střídá s hodnotou zobrazovaného parametru.

### Změna parametrů

- Pro přehled parametrů stiskněte tlačítka (+/- )
- Pro změnu jednotlivého parametru stiskněte tlačítka (+/- )
- Pro uložení hodnoty stiskněte tlačítko () ; na displeji se zobrazuje nápis “MEM”
- Pro výstup z funkce bez uložení stiskněte tlačítko (i), na displeji se zobrazuje nápis “ESC”.

	<b>Popis parametrů</b>	<b>Nastavení z výroby</b>
F01	Typ kotle 10 = uzavřená spal.komora - 20 = otevřená spal.komora	10
F02	Druh používaného plynu 00 = G20 01 = G31	00 nebo 01
F03	Hydraulický systém	02
F04 F05	Nastavení programovatelného relé (Viz pokyny pro SERVIS) 00 = žádná nastavená funkce	00
F06	Nastavení maximální teploty (°C) topení <b>00 = 76°C (Vypnutí hořáku při teplotě 80°C) 01 = 45°C</b>	00
F07	Nastavení vstupu přednosti TUV	02
F08	Max výkon v topení (0-100%)	100
F09	Max výkon v okruhu TUV (0-100%)	100
F10	Min výkon v topení (0-100%)	00
F11	Doba odstávky topení před novým spuštěním (00-10 minut) - 00=10 sekund	03
F12	Diagnostika (Viz pokyny pro SERVIS)	--
F13	Typ výměníku 00 = 270 mm 01 = 225 mm	00
F14	Kontrola správného provozu TUV 00 = mimo provoz 01 = vždy v provozu	00
F15	Nastavení z výroby	00
F16...F17	Informace výrobce --- Nepoužívá se	00



## 22. REGULAČNÍ A BEZPEČNOSTNÍ PRVKY

Kotel je konstruován tak, aby vyhovoval všem příslušným evropským normativním předpisům, a je speciálně vybaven:

- **manostat**

Tento manostat umožňuje zažehnutí hořáku pouze v případě bezchybného provedení odtahu spalin a sání.

Pokud se vyskytne jedna z následujících poruch:

- ucpaná koncovka odtahu spalin
- ucpaná Venturiho trubice
- zablokovaný ventilátor
- přerušené připojení manostatu

kotel vyčkává a zobrazuje se kód poruchy E 03 (viz tabulka v kapitole 10).

- **Bezpečnostní termostat přehřátí**

Tento termostat, jehož senzor je umístěn na výstupu do topení, přeruší přívod plynu k hořáku v případě přehřátí vody primárního okruhu.

V tomto případě se kotel zablokuje a pouze v okamžiku, kdy je odstraněna příčina zásahu, je možné zopakovat zažehnutí tak, že stisknete alespoň na 2 sekundy tlačítko (R).

- **Ionizační kontrolní elektroda**

Ionizační elektroda, která je umístěna na pravé části hořáku, zaručuje bezpečnost v případě nedostatku plynu nebo neúplného zapálení hořáku.

V tomto případě se kotel zablokuje po 3 pokusech zažehnutí.

Pro obnovení normálního chodu je nutné stisknout alespoň na 2 sekundy tlačítko (R).

- **Hydraulický spínač tlaku**

Tento spínač umožňuje zažehnutí hořáku pouze v případě, že tlak v systému je vyšší než 0,5 barů.

- **Doběh čerpadla v okruhu topení**

Doběh čerpadla, prováděný elektronicky, trvá 180 sekund a je aktivován ve vytápění, po vypnutí hořáku po zásahu prostorového termostatu.

- **Doběh čerpadla v okruhu TUV**

Doběh čerpadla, prováděný elektronicky, trvá 30 sekund a je aktivován v okruhu TUV po vypnutí hořáku po zásahu sondy

- **Ochrana proti zamrznutí (okruh vytápění)**

Elektronické ovládání kotle je opatřeno funkcí proti zamrznutí v okruhu vytápění, která se aktivuje, když je teplota vody přiváděné do systému nižší než 5°C. Tato funkce uvede do provozu hořák, který pracuje až do doby, kdy teplota přiváděné vody dosáhne hodnoty 30°C.

Tato funkce je aktivní, pokud je kotel elektricky napájen, je připojen plyn a v systému je předepsaný tlak

- **Zablokovaná cirkulace vody v primárním okruhu (pravděpodobně zablokované čerpadlo)**

V případě zablokované nebo nedostatečné cirkulace vody v primárním okruhu se kotel zablokuje a na displeji se zobrazuje kód poruchy E 25 (kapitola 10).

- **Funkce proti zablokování čerpadla**

V případě, že není vyžadováno teplo v okruhu topení po dobu 24 hodin, aktivuje se automaticky na 10 sekund čerpadlo.

Tato funkce je aktivní, pokud je kotel elektricky napájen.

- **Hydraulický pojistný ventil (okruh vytápění)**

Tento pojistný ventil, nastavený na 3 bary pro topný systém, musí být sveden do odpadu.

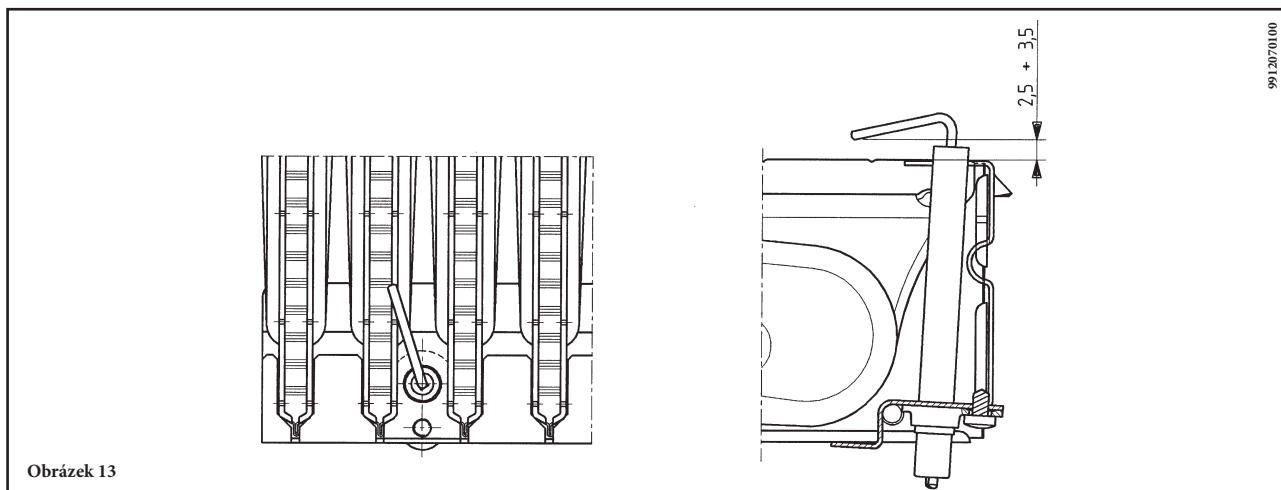
**Poznámka:** I v případě poruchy sondy NTC okruhu TUV je výroba teplé vody zajištěna. Kontrola teploty je v tomto případě prováděna prostřednictvím sondy na vstupu.

---

Je zakázáno vyřadit z provozu jakýkoliv bezpečnostní prvek. Při opakování poruchy některého z bezpečnostních prvků kontaktujte autorizovaný servis. Doporučujeme, připojit pojistný ventil k odpadu se sifonem. Je zakázáno používat pojistný ventil k vypouštění okruhu vytápění.

---

## 23. UMÍSTĚNÍ ZAPALOVACÍ ELEKTRODY A KONTROLA PLAMENE



## 24. KONTROLA PARAMETRŮ SPALOVÁNÍ

Pro měření účinnosti spalování a rozboru spalin při provozu, jsou modely kotlů s nuceným odtahem spalin vybaveny dvěma měřicími body, které jsou umístěny na koaxiální spojce a jsou určeny přímo k tomuto specifickému účelu.

Jeden bod je na odtahu spalin a pomocí něj je možné prověřit správné složení spalin a účinnost spalování.

Druhý bod je na sání spalovacího vzduchu. V tomto bodě je možné prověřit případnou zpětnou cirkulaci spalin, jedná-li se o koaxiální odtahy spalin.

V bodě odtahu spalin je možné zjistit následující údaje:

- teplotu spalin;
- koncentraci kyslíku ( $O_2$ ) nebo oxidu uhličitého ( $CO_2$ );
- koncentraci oxidu uhelnatého (CO).

Teplota spalovacího vzduchu musí být měřena v bodě okruhu sání vzduchu pomocí měřicí sondy, která se vloží do hloubky cca 3 cm.

**Poznámka:** pro regulaci maximálního výkonu viz kapitola 19 (C)

U modelů s odtahem spalin do komína je nezbytné udělat otvor do odtahu spalin. Tento otvor musí být ve vzdálenosti od kotle, která bude 2 - krát větší než vnitřní průměr odtahu spalin.

Pomocí tohoto otvoru mohou být zjišťovány následující údaje:

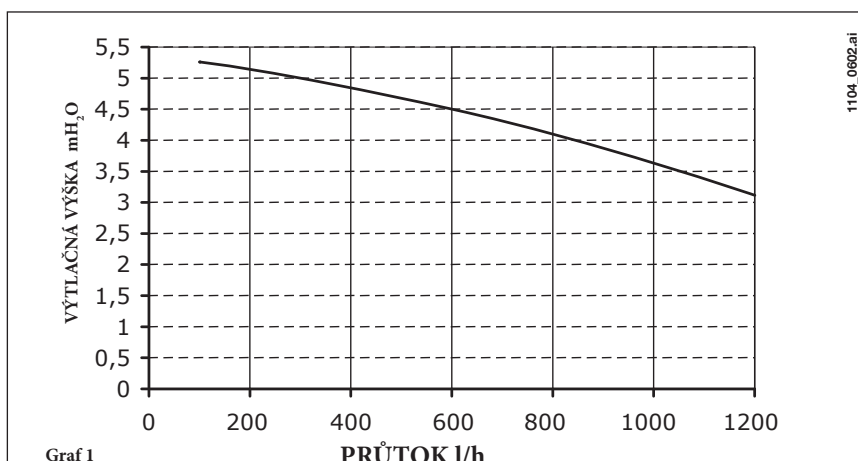
- teplota spalin;
- koncentraci kyslíku ( $O_2$ ) nebo oxidu uhličitého ( $CO_2$ );
- koncentraci oxidu uhelnatého (CO).

Měření teploty spalovaného vzduchu musí být prováděno v blízkosti vstupu vzduchu do kotle.


Otvor, který musí být vyřezán odpovědným technikem při uvedení kotle do provozu, musí být následně uzavřen tak, aby byla zaručena těsnost odtahu spalin během normálního provozu.

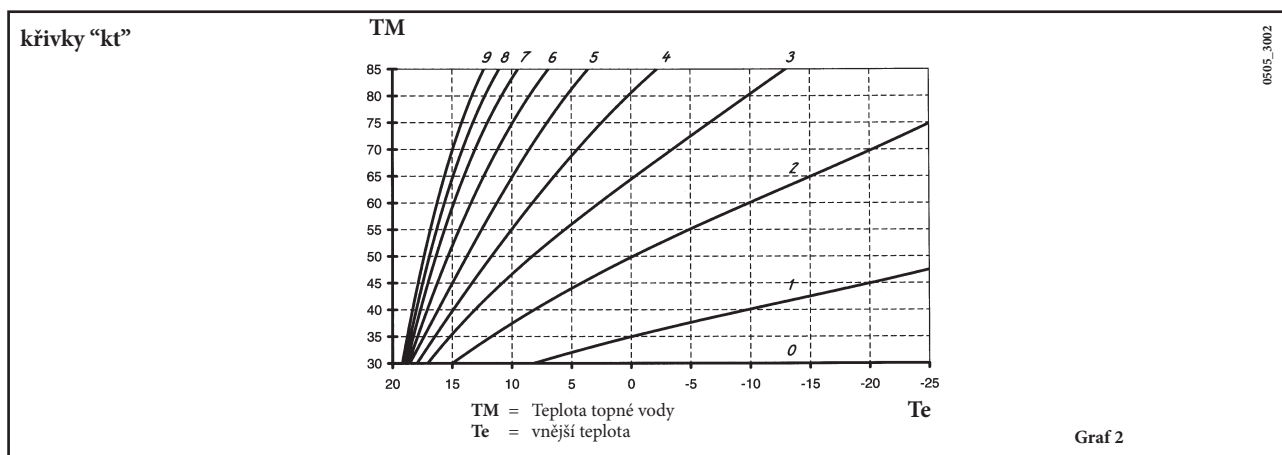
## 25. ÚDAJE O PRŮTOKU VODY/VÝTLAČNÉ VÝŠCE NA VÝSTUPU KOTLE

Použitý typ čerpadla se vyznačuje vysokou výtlačnou výškou s možností použití na jakémkoli typu systému vytápění, ať už jedno trubkovém či dvou trubkovém. Automatický odvzdušňovací ventil, zabudovaný v tělese čerpadla, umožňuje rychlé odvzdušnění systému vytápění.



## 26. PŘIPOJENÍ VNĚJŠÍ SONDY

Mezi kabely ovládací krabice jsou i dva vodiče ČERVENÉ barvy s ukončením faston. Připojte vnější sondu na koncovky těchto dvou vodičů. S připojenou vnější sondou je možné posouvat topnou křivku "kt" (Graf 2) stisknutím tlačítek +/- .



## 27. ROČNÍ ÚDRŽBA

K zajištění optimálního provozu kotle je nezbytné jednou ročně provádět následující kontroly:

- kontrola stavu a těsnosti těsnění okruhu plynu a spalování;
- kontrola stavu a správného umístění zapalovací a ionizační elektrody;
- kontrola stavu hořáku a jeho upevnění na hliníkové přírubě;
- kontrola případných nečistot uvnitř spalovací komory.
- kontrola správného nastavení plynové armatury;
- kontrola přetlaku v topném systému;
- kontrola přetlaku v expanzní nádobě;
- kontrola správného fungování ventilátoru;
- kontrola správného tahu vedení odkouření a sání.

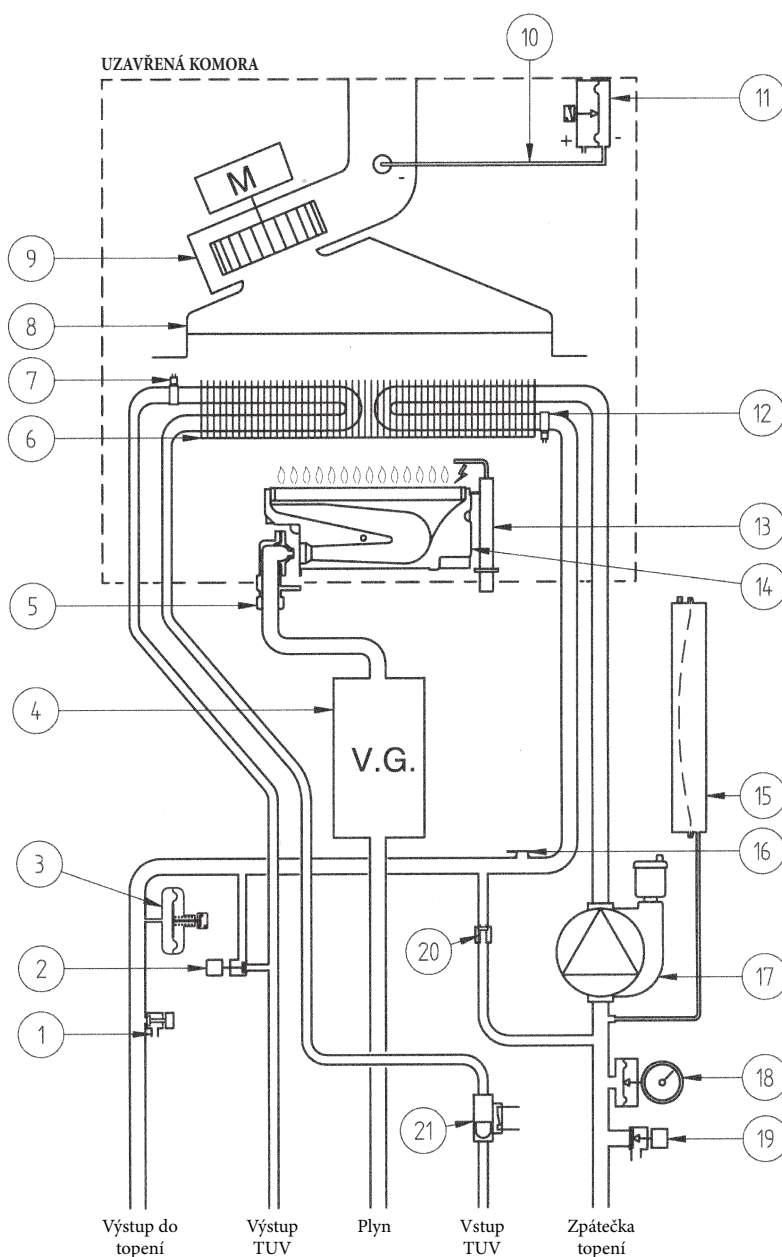
### UPOZORNĚNÍ

Před provedením jakéhokoli zásahu se ujistěte, že kotel není elektricky napájen.

Po provedení údržby vraťte ovladače a/nebo provozní parametry kotle do původního stavu.

## 28. FUNKČNÍ SCHÉMA OKRUHŮ

CG\_2145 / 0906\_2901

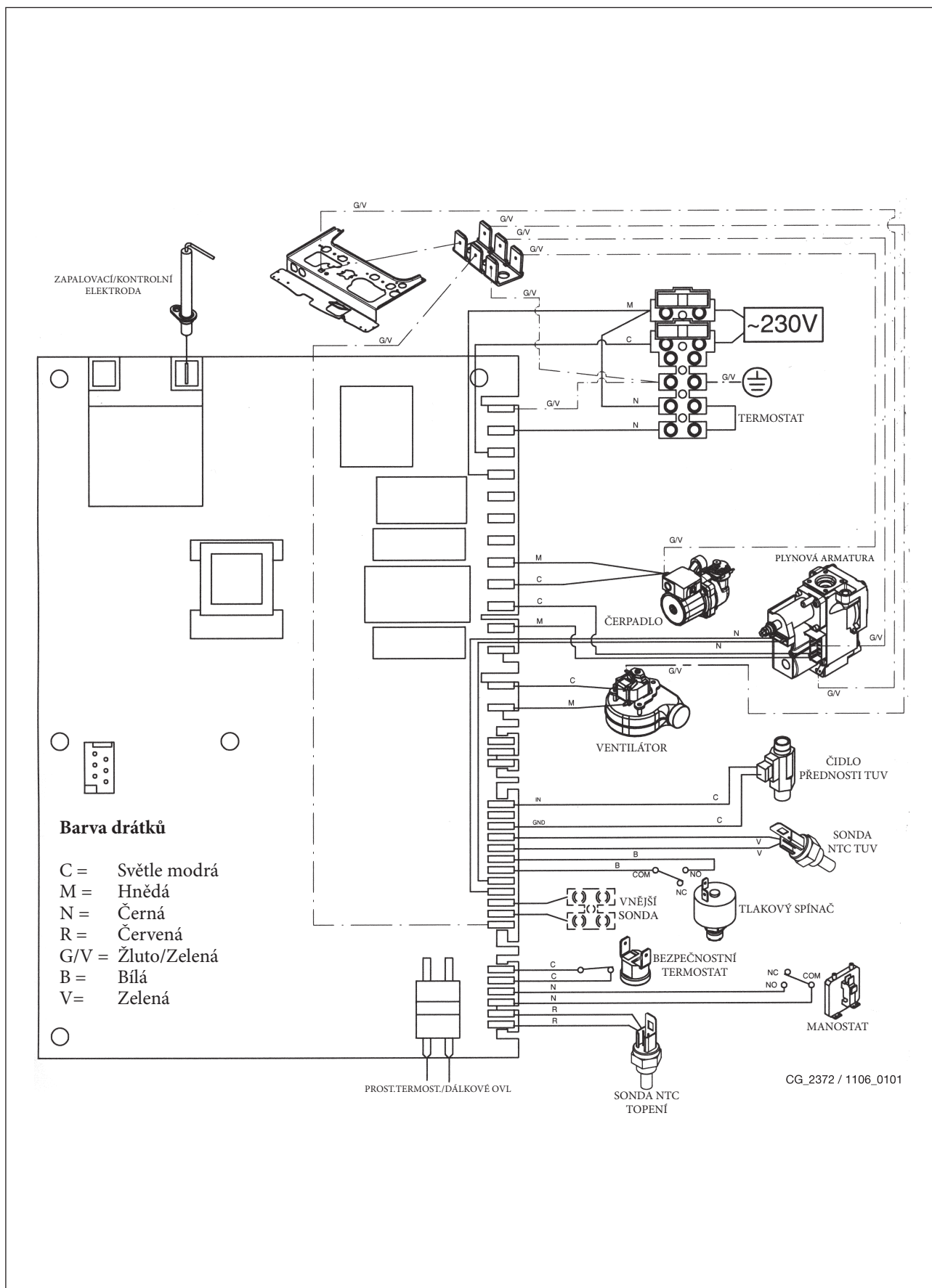


Obrázek 17

### Legenda:

- |    |                          |    |                                 |
|----|--------------------------|----|---------------------------------|
| 1  | Vypouštěcí kohout kotle  | 11 | Manostat                        |
| 2  | Napouštěcí kohout kotle  | 12 | Sonda NTC topení                |
| 3  | Hydraulický spínač tlaku | 13 | Zapalovací /kontrolní elektroda |
| 4  | Plynová armatura         | 14 | Hořák                           |
| 5  | Plynová rampa s tryskami | 15 | Expanzní nádoba                 |
| 6  | Primární výměník         | 16 | Bezpečnostní termostat          |
| 7  | Sonda NTC TUV            | 17 | Čerpadlo separátorem vzduchu    |
| 8  | Sběrač spalin            | 18 | Manometr                        |
| 9  | Ventilátor               | 19 | Pojistný ventil                 |
| 10 | Měřící hrdlo podtlaku    | 20 | Automatický by-pass             |
|    |                          | 21 | Čidlo přednosti TUV             |

## 29. SCHÉMA PŘIPOJENÍ KONEKTORŮ



## 30. PŘEDPISY A ZÁSADY

Instalaci kotle smí provést pouze firma odborně způsobilá dle příslušných českých zákonů, norem a předpisů.

Po montáži kotle musí pracovník, který provedl instalaci, seznámit uživatele s provozem kotle a s bezpečnostními přístroji a musí mu předat alespoň návod k obsluze.

Plynový kotel smí být uveden do provozu pouze na druh plynu, který je uveden na výrobním štítku a v dokumentaci kotle. Při provedení záměny plynu je nutno nové parametry označit.

Napojení na rozvod plynu musí být provedeno podle projektu chváleného plynárnou v souladu s ČSN EN 1775.

Před uvedením plynového rozvodu do provozu musí být provedena tlaková zkouška a revize plynového zařízení.

Napojení na rozvod vody musí být v souladu s ČSN 060830.

Výrobky z mědi smějí být použity jen tehdy, když rozváděná voda má stabilní pH v rozmezí 6,5 až 9,5 a není jinak agresivní – musí splňovat minimálně hodnotu kyselinové neutralizační kapacity  $KNK_{4,5} \geq 1,0$  mmol/l,  $Co_2$  (celkový)  $\leq 44$  mg/l.

Kotel se stupněm elektrického krytí IP-44 smí být montován i do koupelen, umýváren a podobných prostorů při splnění podmínek ČSN 332000-7-701 a norem souvisejících. Toto umístění volte jen tehdy, není-li opravdu jiná možnost.

Kotel je možno instalovat jen do prostředí obyčejného dle ČSN 332000-3 bez nadměrné prašnosti, bez hořlavých či výbušných, koroziivních či mastných výparů.

Prach vnášený do kotle spalovacím vzduchem postupně zanáší funkční části hořáku a výměníku tepla a zhoršuje tak jejich funkci i ekonomiku provozu.

Při návrhu umístění kotle je nutno respektovat předpisy o bezpečných vzdálenostech od hořlavých hmot dle ČSN 061008.

Stupeň hořlavosti stavebních hmot stanovuje ČSN EN 13501-1:2007 (Požární klasifikace stavebních výrobků a konstrukcí staveb – Část 1: Klasifikace podle výsledků zkoušek reakce na oheň).

Na tepelné zařízení a do vzdálenosti menší, než je jeho bezpečná vzdálenost, nesmějí být kladeny předměty z hořlavých hmot (bezpečná vzdálenost spotřebiče od hořlavých hmot je ve směru hlavního sálání 50 mm a v ostatních směrech 10 mm).

Před započítím prací, které mohou mít za následek změnu prostředí v prostoru, v němž je tepelné zařízení instalováno (např. při práci s nátěrovými hmotami, lepidly apod.), je nutné odstavení spotřebiče z provozu.

Je zakázáno jakékoli zasahování do zajištěných součástí spotřebiče.

Po nainstalování spotřebiče prodejce obal sběrným surovinám, a případně umístíte přebalovou folii do sběrných kontejnerů na plasty. Spotřebič a jeho části po ukončení životnosti prodejce do sběrných surovin.

### Kotle provedení B11BS

U kotlů s odvodem spalin komínem do venkovního prostředí je nutno respektovat ČSN 734210 a 734201.

Pojistka proti zpětnému toku spalin nesmí být vyřazena z provozu.

Neodborné zásahy do pojistky zpětného toku spalin jsou životu nebezpečné.

Montáž pojistky zpětného toku spalin smí provádět pouze servisní pracovník s použitím originálních dílů od výrobce.

V případě opakovaného vypnutí kotle pojistkou zpětného toku spalin je nutné kontaktovat servisní firmu.

Skutečná čekací doba při vypnutí kotle pojistkou zpětného toku spalin je 15 minut.

Musí být rovněž zabezpečen neomezený přísun vzduchu z venkovního prostředí až ke kotli, jinak dojde k nebezpečnému proudění spalin z kotle zpět do místnosti stejně tak, jako by byl např. ucpán odvod spalin komínem!

Do objektu, kde je umístěn takový kotel, nesmí být instalovány odsávací vzduchové ventilátory (větrání záchodů, koupelen, kuchyní apod.).

Dobře provedené těsnění oken a dveří silně omezí možnost nasávání vzduchu těmito jinak nevnímanými otvory.

Kotel zásadně nemontujte do skříně, a to nejen z důvodu potřeby vzduchu pro spalování, ale i proto, že při poruše přívodu vzduchu nebo odtahu spalin proudí spaliny z kotle usměrňovačem tahu zpět do prostoru, kde je kotel umístěn, a to tak dlouho, než je hoření zastaveno pojistkou proti zpětnému toku spalin – spalinovým termostatem. Pro zajištění co nejrychlejšího náběhu odtahu spalin do komína (zejména po provozních přestávkách nebo v létě) je zásadně správné provést první svislou část kouřovodu nad kotlem nejvyšší (minimálně 40 cm), potom teprve případné oblouky atd.

Vodorovné části kouřovodu je nutno provádět se stoupáním od kotle nahoru ke komínu a vždy co nejkratší. Kouřovod mezi kotlem a sopouchem komína musí být proveden tak, aby byl těsný, avšak snadno demontovatelný pro čištění a kontrolu.

### Kotle provedení C ( $C_{12}$ nebo $C_{32}$ , $C_{42}$ , $C_{52}$ , $C_{82}$ ) s uzavřenou spalovací komorou, s přívodem spalovacího vzduchu do kotle potrubím z venkovního prostředí a odvodem spalin potrubím do venkovního prostředí.

Respektujte předpisy uvedené v ČSN 73 4201/2008 – Komíny a kouřovody – Navrhování, provádění a připojování spotřebičů spalin.

Spaliny odcházející z kotle do ovzduší obsahují značné množství vodní páry, která vznikne spálením topného plynu. Tento jev existuje u každého kotle jakékoliv značky.

Při návrhu potrubí pro odvod spalin je nutno tento zákonitý jev respektovat a počítat s tím, že spaliny vyfukované z výdechového koše potrubí před fasádu mohou být větrem strhávány zpět na fasádu, kde se pak vodní pára ze spalin sráží a stěnu navlhuje!

Vodní pára kondenzuje ze spalin i ve výfukovém potrubí a vytéká na konci výdechovým košem ven. Výdech je proto potřeba navrhnout v takovém místě, kde kapající kondenzát nezpůsobí potíže – např. námrazu na chodníku apod.

Horizontální potrubí musí být spádováno dolů ve směru proudění spalin (POZOR – je to opačně, než u kotlů s odvodem spalin do komína!)

Vzduchové i spalinové potrubí musí být provedeno tak, aby bylo těsné, ale snadno demontovatelné pro kontrolu, čištění i opravy.

Např. u souosého koaxiálního provedení vzduchového a spalinového potrubí se netěsné spojení vnitřního spalinového potrubí projeví přísáváním spalin do spalovacího vzduchu, což zákonitě způsobí zhoršení spalování, které se projeví zvýšením obsahu kysličníku uheřinatého CO ve spalinách.

Pronikání spalin do vzduchového potrubí je možno také zjistit měřením množství kysličníku uhličitého na sondách hrdla nad kotlem.

Vzduchové i spalínové potrubí horizontální či vertikální musí být na své trase dobře upevněno či podepřeno tak, aby nebyl narušen potřebný spád potrubí a kotle nebyl nadměrně zatěžován.

Při průchodu stavební konstrukcí nesmí být potrubí zakotveno, musí být umožněn pohyb způsobený teplotními dilatacími.

**POZOR!** Teplotní délková roztažnost hliníkového potrubí je cca 2,4 mm/1m 100°C.

Svislé vertikální potrubí musí být nad střechou opatřeno komínkem, který mimo jiné zabraňuje vnikání deště, ptáků a působení větru (dle požadavků prEN 1856-1).

Pro umístění výdechu spalin nad střechou platí obdobné zásady jako u klasických komínů.

Při navrhování samostatného potrubí přívodu vzduchu a odvodu spalin **POZOR** na situování sacího a výdechového koše!

Tlakový rozdíl způsobený větrem mezi návětrnou a závětrnou stranou budovy může značně negativně ovlivnit kvalitu spalování!

U odděleného vertikálního odvodu spalin se doporučuje instalace kondenzačního T-kusu.

Kondenzát musí být sváděn do sběrné nádoby nebo do odpadu prostřednictvím potrubní smyčky, která zabraňuje unikání spalin do okolí.

U kotle provedení C12 musí být výstupní otvory vyústěných samostatných potrubí pro přivádění spalovacího vzduchu a pro odvádění spalin umístěny uvnitř čtverce o straně 50 cm.

U kotle provedení C32 musí být výstupní otvory vyústěných samostatných potrubí pro přivádění spalovacího vzduchu a pro odvádění spalin umístěny uvnitř čtverce o straně 50 cm a vzdálenost mezi rovinami dvou otvorů musí být menší než 50 cm.

### Umístění kotle a montáž

Kotel se upevňuje – zavěšuje na nehořlavou stěnu přesahující obrysy kotle o 200 mm na všech stranách. Pro usnadnění práce je jako součást kotle dodána papírová šablona na stěnu pro rozměření kotevních bodů zavěšení kotle a rozmístění přípojovacích potrubí.

Pro zavěšení je možno použít háky a hmoždinky dodané s kotlem. Kotel se osazuje do takové výše, aby ovládací, kontrolní a signalizační přístroje na kotli byly v přiměřené vizuální a manipulační výšce a tak, jak to požaduje projektová dokumentace potrubí pro přívod vzduchu a odvod spalin. Takto ve většině případů zůstane vespod kotle volné místo pro další využití. Pro servisní práci a úklid je nutno na bocích kotle ponechat volný prostor cca 20 mm, nad kotlem 250 mm, pod kotlem 300 mm, před kotlem 800 mm. Přístup k uzavíracímu plynovému kohoutu ve spodní části kotle nesmí být ničím zastavěn ani omezen!

### Další související normy

ČSN EN 483:2000	Kotle na plynná paliva pro ústřední vytápění – Kotle provedení C se jmenovitým tepelným příkonem nejvýše 70 kW.
ČSN EN 297:1996	Kotle na plynná paliva pro ústřední vytápění – Kotle provedení B11 a B11BS s atmosférickými hořáky a se jmenovitým tepelným příkonem nejvýše 70 kW (včetně změn A2:1998, A3:1998, A5:1998).
ČSN EN 625:1997	Kotle na plynná paliva pro ústřední vytápění – Zvláštní požadavky na kombinované kotle se jmenovitým tepelným příkonem nejvýše 70 kW provozované za účelem přípravy teplé užitkové vody pro domácnost
ČSN EN 437:1996	Zkušební plyny. Zkušební přetlaky. Kategorie spotřebičů (včetně změn A1:1999, A2:2000)
ČSN EN 298	Automatiky hořáků
ČSN 38 6462	Zásobování plynem – LPG – Tlakové stanice, rozvod a použití

### Záruční a pozáruční prohlídky plynového kotle

Datum	Servisní činnost (oprava)	Použitý náhradní díl	Jméno servisního technika (firmy)



## 31. TECHNICKÉ ÚDAJE

### Model kotle MAINFOUR 240F

Kategorie		II <sub>2H3P</sub>	
Jmenovitý tepelný příkon	kW	25,8	
Minimální tepelný příkon	kW	10,6	
Jmenovitý tepelný výkon	kW	24	
	kcal/h	20.600	
Minimální tepelný výkon	kW	9,3	
	kcal/h	8.000	
Účinnost podle směrnice 92/42/CEE	—	★★★	
Maximální přetlak vody v oruhu topení	bar	3	
Objem expanzní nádoby	l	6	
Přetlak expanzní nádoby	bar	1	
Maximální přetlak vody v okruhu TUV	bar	8	
Min. dynamický přetlak vody v okruhu TUV	bar	0,15	
Min. průtok TUV	l/min	2,0	
Množství TUV při $\Delta T=25\text{ }^{\circ}\text{C}$	l/min	13,7	
Množství TUV při $\Delta T=35\text{ }^{\circ}\text{C}$	l/min	9,8	
Specifický průtok (*)	l/min	11	
Rozsah regulace teploty topné vody	$^{\circ}\text{C}$	30/76	
Rozsah regulace teploty TUV	$^{\circ}\text{C}$	35/55	
Provedení kotle	—	C12-C32-C42-C52-C82-B22	
Průměr koaxiálního vedení odkouření	mm	60	
Průměr koaxiálního vedení sání	mm	100	
Průměr děleného vedení odkouření	mm	80	
Průměr děleného vedení sání	mm	80	
Průměr odkouření (odtah do komína)	mm	-	
Max. hmotnostní průtok spalin	kg/s	0,016	
Min.hmotnostní průtok spalin	kg/s	0,016	
Max. teplota spalin	$^{\circ}\text{C}$	149	
Min. teplota spalin	$^{\circ}\text{C}$	119	
Třída NOx	—	3	
Druh plynu	—	G20	
	—	G31	
Přípojovací přetlak – zemní plyn	mbar	20	
Přípojovací přetlak - propan	mbar	37	
Elektrické napětí	V	230	
Elektrická frekvence	Hz	50	
Jmenovitý elektrický výkon	W	130	
Hmotnost	kg	31	
Rozměry	výška	mm	730
	šířka	mm	400
	hloubka	mm	299
Elektrické krytí (**)			IP X5D
(*) podle EN 625			
(**) podle EN 60529			

Firma BAXI S.p.A. si z důvodu neustálého zlepšování svých výrobků, vyhrazuje právo modifikovat kdykoli a bez předchozího upozornění údaje uvedené v této dokumentaci. Tato dokumentace má pouze informativní charakter a nesmí být použita jako smlouva ve vztahu k třetím osobám.

## PRE MAJITEĽOV VÝROBKU BAXI

Domnievame sa, že Váš nový kotol uspokojí všetky Vaše požiadavky a potreby.

Kúpa výrobku BAXI zaručuje splnenie všetkých Vašich očakávaní, tzn. dobré fungovanie a jednoduché racionálne použitie. Žiadame Vás, aby ste tento návod neodkladal, ale naopak ho pozorne prečítal, pretože obsahuje užitočné informácie pre správnu a účinnú údržbu Vášho kotla. Je tiež nutné riadiť sa upozoreniami uvedenými v tomto návode. Časti balenia (igelitové vrecká, polystyrén atď.) nesmú byť ponechané v dosahu detí, pretože môžu byť prípadným zdrojom nebezpečenstva.


Firma **BAXI S.p.A.** prehlasuje, že modely kotlov uvedené v tomto návode sú označené značkou CE v súlade s požiadavkami nasledujúcich európskych smerníc:

- Smernice týkajúce sa plynu 2009/142/ES
- Smernice, týkajúce sa účinnosti 92/42/EHS
- Smernice týkajúce sa elektromagnetickej kompatibility 2004/108/ES
- Smernice týkajúce sa nízkeho napätia 2006/95/ES



## OBSAH

### POKYNY PRE UŽÍVATEĽOV

1. Upozornenie pred inštaláciou	138
2. Upozornenie pred uvedením do prevádzky	138
3. Uvedenie do prevádzky	139
4. Nastavenie priestorovej teploty a TV	139
5. Popis tlačidla  (Leto - Zima – Len vykurovanie - Vypnuté)	140
6. Prevádzkové kontroly	140
7. Vypnutia kotla	140
8. Výmena plynu	140
9. Dlhodobé nepoužívanie systému. Ochrana proti zamrznutiu	141
10. Kontrolky - zásahy bezpečnostného systému	141
11. Pokyny pre riadnu údržbu	141

### POKYNY PRE INŠTALATÉROV

12. Všeobecné upozornenia	142
13. Upozornenie pred inštaláciou	142
14. Inštalácia kotla	143
15. Rozmery kotla	143
16. Inštalácia potrubia odvod spalín - prisávania	144
17. Elektrické pripojenie	148
18. Pripojenie priestorového termostatu	148
19. Spôsob zmeny plynu	149
20. Zobrazenie parametrov na displeji kotla (funkcia "info")	151
21. Nastavenie parametrov	152
22. Regulačné a bezpečnostné prvky	153
23. Umiestnenie zapaľovacej elektródy a kontrola plameňa	154
24. Kontrola parametrov spaľovania	154
25. Údaje o prietoku vody/výtlačnej výške na výstupe kotla	154
26. Pripojenie vonkajšej sondy	155
27. Ročná údržba	156
28. Funkčná schéma okruhov	157
29. Schéma pripojenia konektorov	157
30. Technické údaje	158



Firma **BAXI S.p.A** ako jeden z najväčších európskych výrobcov domácich kúrenárskych zariadení (závesné plynové kotly, stacionárne kotly, elektrické ohrievače vody) získala certifikát CSQ podľa normy UNI EN ISO 9001. Tento certifikát zaručuje, že systém kvality, užívaný vo firme BAXI S.p.A. z Bassano del Grappa, mieste výroby tohto kotla, vyhovuje najprísnejším normám, ktoré sa týkajú všetkých etáp organizácie práce a tých najdôležitejších v procese výroby/distribúcie.



# 1. UPOZORNENIE PRED INŠTALÁCIOU

Tento kotol slúži na ohrev vody na teplotu nižšiu ako je teplota varu pri atmosferickom tlaku. Kotol musí byť pripojený na systém kúrenia a na rozvodný systém TÚV v závislosti na jeho výkone a na jeho funkcii.

Pred tým, ako odborný personál pripojí kotol podľa príslušných predpisov, je treba:

- a) Skontrolovať, či kotol je vhodný pre funkciu na plyn, ktorý je k dispozícii. Tento údaj je uvedený na obale a na štítku upevnenom na zariadení.
- b) Skontrolovať, či má komín vhodný ťah, nie je nikde zúžený a do komína neústia odvody spalín ďalších spotrebičov, s výnimkou prípadov, keď komín slúži podľa špecifických platných noriem a predpisov niekoľkým spotrebičom.
- c) V prípade pripojenia na už existujúci komín skontrolujte, či bolo potrubie dokonale vyčistené, pretože nečistoty vznikajúce pri spaľovaní, ktoré by sa počas funkcie mohli uvoľniť od stien, by mohli upchať priedoch spalín.
- d) Pre zachovanie správnej funkcie a záruky spotrebiča je ďalej nutné urobiť nasledujúce opatrenia:

## 1. Okruh TÚV:

1.1. Pokiaľ tvrdosť vody presahuje hodnotu 20 °F (1 °F = 10 mg uhličitanu vápenatého na liter vody), je nariadená inštalácia dávkovača polyfosfátov alebo systému s rovnakým účinkom zodpovedajúcim platným predpisom.

1.2. Pred inštaláciou spotrebiča a pred jeho použitím je potrebné systém starostlivo vyčistiť.

1.3. Materiály použité v okruhu úžitkovej vody výrobku zodpovedajú smernici Rady 98/83/ES.

## 2. Okruh kúrenia

### 2.1. Nový systém

Pred inštaláciou zariadenia musí byť systém starostlivo vyčistený, aby boli odstránené zvyšky závitov, zvarov a prípadných riedidiel za pomoci vhodných prípravkov dostupných na trhu, ani zásaditých ani kyslých, ktoré nenapádajú kovy, plastové a gumené časti. Výrobky odporúčané k tomuto účelu sú uvedené ďalej:

SENTINEL X300 alebo X400 a FERNOX Rigenatore pre okruhy kúrenia. Pri používaní týchto výrobkov dodržujte pozorne inštrukcie poskytnuté spolu s výrobkom.

### 2.2. Pôvodný systém:

Pred inštaláciou kotla je potrebné systém úplne vyprázdniť a dobre očistiť od kalov a kontaminačných látok pomocou vhodných prostriedkov, ktoré je možné dostať na trh a sú uvedené v bode 2.1.

Pre ochranu systému pred nánosmi je treba použiť prípravky zabraňujúce tvorbe usadenín ako SENTINEL X100 alebo FERNOX Protettivo pre tepelné systémy. Pri používaní týchto výrobkov dodržujte pozorne inštrukcie poskytnuté spolu s výrobkom. Pripomíname, že výskyt usadenín v tepelnom systéme spôsobuje prevádzkové problémy kotla (napr. prehrievanie a hlučnosť výmenníka).

---

**V prípade nedodržania týchto upozornení záruka stráca platnosť.**

---

# 2. UPOZORNENIE PRED UVEDENÍM DO PREVÁDZKY

Prvé spustenie kotla musí byť vykonané autorizovaným technickým servisom, ktorý musí preveriť, či:

- a) údaje na výrobnom štítku zodpovedajú údajom napájacej siete (elektrickej, vodovodnej, plynovej).
- b) inštalácia bola vykonaná v súlade s platnými normami.
- c) bolo správne vykonané elektrické zapojenie do siete a uzemnenie.

Jednotlivé autorizované servisné miesta sú uvedené v priloženom zozname.

V prípade, že vyššie uvedené nie je dodržané, stráca záruka platnosť.

Pred uvedením kotla do prevádzky odstráňte ochrannú fóliu, ale nepoužívajte k tomu ostré nástroje alebo drsné materiály, ktoré by mohli poškodiť lak.

---

**Prístroj nie je určený na použitie osôb (vrátane detí), ktorých fyzické, citlivé a mentálne schopnosti sú obmedzené alebo nemajú dostatočné skúsenosti a znalosti na ich použitie. Môžu byť použité len v prítomnosti a pod dozorom zodpovednej osoby pre ich ochranu. Povinne musia obsahovať inštrukcie na použitie prístroja.**

---

### 3. UVEDENIE KOTLA DO PREVÁDZKY

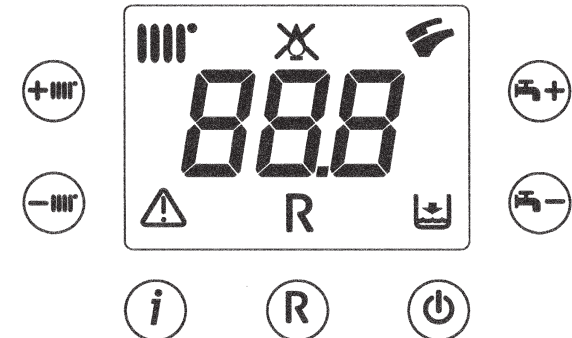
Pre správne spustenie postupujte nasledovne:

- 1) Pripojte kotol k elektrickej sieti;
- 2) Otvorte plynový kohút;
- 3) stlačte tlačidlo (🔌) a nastavte kotol do režimu Leto (☀️), Zima (❄️) alebo len vykurovanie (🔥);
- 4) stlačte tlačidlá (+/-) pre nastavenie teploty okruhu vykurovania (🔥) a TÚV (🚰) tak, aby sa zapálil horák.

Ak je kotol v prevádzke, na displeji sa zobrazuje symbol (🔥).  
V polohe Leto (☀️) je horák v prevádzke len v prípade odberu TÚV.

#### Upozornenie

Vo fáze prvého spustenia, pred úplným odvzdušnením plynového potrubia, môže dôjsť k tomu, že sa horák nezapáli a tým pádom sa zablokuje kotol. V tomto prípade odporúčame opakovať postup zapalovania do tej doby, kým sa plyn dostane k horáku, pričom sa stlačí aspoň na 2 sekundy tlačidlo (R).



Obrázok 1

#### LEGENDA

- Fungovanie okruhu kúrenia
- Signalizácia plameňa (horák v prevádzke)
- Bez plameňa (neprebehlo zapálenie)
- Fungovanie okruhu TÚV
- Obecná porucha
- RESET
- Nedostatok vody (Nízky tlak v systéme)
- Numerická signalizácia (Teplota, kód poruchy, atď.)

#### POPIS TLAČIDIEL

- Zapnutie / Vypnutie / Leto / Zima
- (+/-) : Nastavenie teploty kúrenia
- (+/-) : Nastavenie teploty TÚV
- Reset
- Informácie

### 4. REGULÁCIA TEPLoty V MIESTNOSTIACH A TÚV

Systém musí byť vybavený priestorovým termostatom, aby bolo možné regulovať teplotu v miestnostiach.

Regulácia teploty v miestnostiach (🔥) a TÚV (🚰) sa vykonáva stlačením tlačidiel +/- (obrázok 1). Zapálenie horáka sa na displeji zobrazuje symbolom (🔥) podľa popisu v kapitole 3.1.

#### Vykurovanie

V režime vykurovanie je na displeji (obrázok 1) zobrazený blikajúci symbol (🔥) a teplota na vstupe do kúrenia (°C).

#### TÚV

Počas prevádzky kotla v režime výroby TÚV je na displeji na obrázku 1 zobrazený blikajúci symbol (🚰) a teplota na výstupe teplej vody (°C).

## 5. POPIS TLAČIDLA (Leto - Zima – Len vykurovanie - Vypnuté)



Stlačením tohto tlačidla je možné nastaviť nasledujúce režimy prevádzky kotla:

- Leto
- Zima
- Len vykurovanie
- Vypnuté

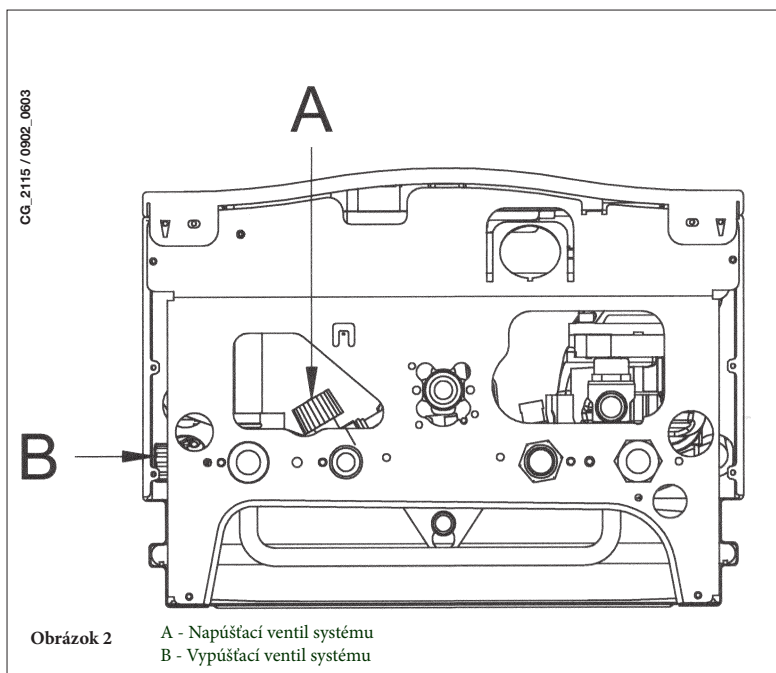
V režime **Leto** je na displeji zobrazený symbol (). Kotel pracuje len v režime TUV, vykurovanie NIE JE v prevádzke (protizámrazová funkcia je v prevádzke).

V režime **Zima** sú na displeji zobrazené symboly () (). Kotel pracuje ako v režime TUV, tak i v režime vykurovania (protizámrazová funkcia je v prevádzke).

V režime **Len vykurovanie** je na displeji zobrazený symbol (). Kotel pracuje len v režime vykurovania (protizámrazová funkcia je v prevádzke).

Ak zvolíte režim **Vypnuté**, na displeji sa nezobrazuje žiadny zo symbolov () (). V tomto režime je aktívna len protizámrazová funkcia.

## 6. PREVÁDZKOVÉ KONTROLY



### Upozornenie

Odpojte kotel z elektrickej siete pomocou bipolárneho vypínača.

**DÔLEŽITÉ:** Kotel je nedielnou súčasťou vykurovacieho systému. Aj keď je kotel v max. miere vybavený kontrolnými a bezpečnostnými elementmi, je treba pravidelne kontrolovať (aspoň 1-krát týždenne), či neuniká voda z kotla alebo z vykurovacieho systému. Tlakomer musí ukazovať hodnoty stanovené v projekte vykurovania – min. 0,8 barov. V prípade nižšej hodnoty je nutné doplniť vykurovaciu vodu na hodnotu predpísanú projektom, ale vždy len vtedy, ak má voda v celom vykurovacom systéme teplotu asi 20°C.

Kotel je vybavený hydraulickým tlakovým spínačom, ktorý v prípade nedostatku vody zabráni chodu kotla.

**Poznámka:** Pri častejšom poklese tlaku vykurovacej vody odporúčame zavolať autorizovaný servis.

## 7. VYPNUTIE KOTLA

Ak chcete kotel vypnúť, prerušte prívod elektrického prúdu do kotla. V režime „VYPNUTÉ“ (kapitola 5) zostáva kotel mimo prevádzku (na displeji sa zobrazuje nápis OFF), ale elektrické obvody kotla zostávajú pod elektrickým napätím a je aktívna funkcia proti zamrznutiu (kapitola 9).

## 8. VÝMENA PLYNU

Kotly môžu byť prevádzkované ako na zemný plyn (metán), tak i na propán alebo bután (propán – bután). V prípade výmeny plynu sa obráťte na autorizovaný technický servis.

## 9. DLHODOBÉ NEPOUŽÍVANIE SYSTÉMU. OCHRANA PROTI ZAMRZNUTIU

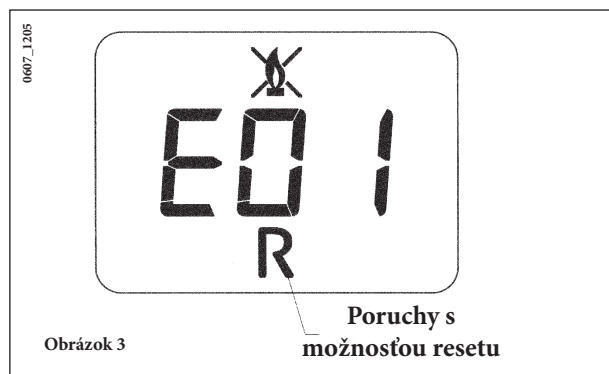
Ak je možné nevypúšťajte vodu z celého systému vykurovania, pretože častá výmena vody spôsobuje zbytočné a škodlivé usadzovanie vodného kameňa vo vnútri kotla a vykurovacích telies. V prípade, že nebudete vykurovací systém počas zimy používať a v prípade nebezpečenstva mrazu, odporúčame zmiešať vodu v systéme s vhodnými nemrznúcimi zmesami určenými k tomuto účelu (napr. polypropylénový glykól spolu s prostriedkami zabraňujúcimi usadzovaniu kotolného kameňa a korózii). Elektronické ovládanie kotla je opatrené funkciou proti zamrznutiu v okruhu vykurovania, ktorá sa aktivuje, keď je teplota vody privádzanej do systému nižšia ako 5°C. Táto funkcia uvedie do prevádzky horák, ktorý pracuje až do doby, keď teplota privádzanej vody dosiahne hodnotu 30°C. Táto funkcia je v prevádzke ak:

- \* je kotol elektricky napájaný;
- \* je pripojený plyn;
- \* je v systéme predpísaný tlak vody;
- \* kotol nie je zablokovaný.

V prípade, že nebudete kotol používať a mohlo by dôjsť k zníženiu teploty okolitého prostredia pod bod mrazu, je nutné zaistiť okruh teplej úžitkovej vody, napr. vypustením vody zo systému TUV.

## 10. SIGNALIZÁCIA - ZÁSAHY BEZPEČNOSTNÉHO SYSTÉMU

V prípade poruchy sa na displeji zobrazí a sú označené kódom (napr. E 01):



Ak chcete OBNOVIŤ CHOD kotla, stlačte aspoň na 2 sekundy tlačidlo „R“.

**Poznámka:** Pokus o obnovenie chodu kotla je možné vykonať maximálne 5-krát po sebe. Potom sa kotol zablokuje. Pre opätovné obnovenie chodu kotla je nutné na pár sekúnd vypnúť kotol.

ZOBRAZOVANÝ KÓD	PORUCHA	ZÁSAH
E01	Nedošlo k zapáleniu horáka	Stlačte aspoň na 2 sekundy tlačidlo „r“. V prípade, že sa bude porucha opakovať, kontaktujte autorizovaný servis.
E02	Zásah bezpečnostného termostatu	Stlačte aspoň na 2 sekundy tlačidlo „r“. V prípade, že sa bude porucha opakovať, kontaktujte autorizovaný servis.
E03	Zásah termostatu spalín / manostatu	Kontaktujte autorizovaný servis.
E04	Zablokovanie z dôvodu častého (6 x) zhasínania plameňa	Stlačte aspoň na 2 sekundy tlačidlo „r“. V prípade, že sa bude porucha opakovať, kontaktujte autorizovaný servis.
E05	Poškodená sonda na výstupe do kúrenia	Kontaktujte autorizovaný servis.
E06	Poškodená sonda tív	Kontaktujte autorizovaný servis.
E10	Nedošlo k zopnutiu tlakového spínača	Overte, či je v systéme predpísaný tlak. Viď kapitola 6. Ak porucha trvá, kontaktujte autorizovaný servis.
E25/E26	Bezpečnostný zásah z dôvodu pravdepodobného zablokovania čerpadla	Kontaktujte autorizovaný servis.
E27	Chybná poloha sondy TUV	Najmenej na 2 sekundy stlačte tlačidlo „R“. V prípade opakovaného zákroku tohto zariadenia kontaktujte autorizovaný technický servis.
E32	Zanesenie vodným kameňom	Kontaktujte autorizovaný servis.
E35	Porucha plameňa	Stlačte aspoň na 2 sekundy tlačidlo „r“. V prípade, že sa bude porucha opakovať, kontaktujte autorizovaný servis.
E96	Vypnutie spôsobené kolísaním napätia	RESET prebehne automaticky. V prípade, že porucha trvá, kontaktujte autorizovaný servis.

**Poznámka:** v prípade výskytu poruchy bliká zároveň so zobrazovaným kódom poruchy tiež pozadie číselníka displeja.

## 11. POKYNY PRE RIADNU ÚDRŽBU

Aby bola zaručená bezchybná prevádzka a bezpečnosť kotla je nutné na konci každej sezóny zaistiť jeho prehliadku autorizovaným technickým servisom.

Starostlivá údržba kotla umožňuje i úsporu nákladov na prevádzku celého systému.

Čistenie povrchu kotla nikdy nevykonávajte pomocou brusných, agresívnych alebo ľahko horľavých prostriedkov (napr. benzín, alkohol, atď.). V priebehu čistenia nesmie byť kotol v prevádzke (viď kapitola 7 „vypnutie kotla“).



## 12. VŠEOBECNÉ UPOZORNENIA

Nasledujúce pokyny a poznámky sú určené pre inštalatérov, ktorým umožní bezchybnú inštaláciu. Pokyny týkajúce sa spustenia a prevádzky kotla sú obsiahnuté v tej časti návodu, ktorá je určená užívateľovi.

Inštaláciu kotla smie vykonať len firma odborne spôsobilá podľa príslušných slovenských zákonov, noriem a predpisov.

Po montáži kotla musí pracovník, ktorý vykonal inštaláciu, oboznámiť užívateľa s prevádzkou kotla a s bezpečnostnými prístrojmi a musí mu odovzdať aspoň návod k obsluhu.

Okrem vyššie uvedeného je nutné dodržiavať nasledujúce:

- Kotel môže byť používaný s akýmkoľvek typom konvektora, radiátora, či termokonvektora s jedno či dvoj trubkovým napájaním. Návrh a výpočet vykurovacieho systému vykoná projektant na základe grafu prietoku vody/výtlačnej výšky na výstupe z kotla (kapitola ...), s prihliadnutím na ostatné súčasti vykurovacej sústavy (napr. čerpadlá, armatúry, telesá atď.)
- Časti balení (plastové vrecká, polystyrén, atď.) nesmú byť ponechané v dosahu detí, pretože sú potenciálnym zdrojom nebezpečenstva.
- Prvé spustenie kotla musí byť vykonané autorizovaným technickým servisom.

Jednotlivé autorizované servisné miesta sú uvedené v priloženom zozname.

V prípade, že vyššie uvedené nebude rešpektované, stráca záručný list platnosť.

### UPOZORNENIE – PRÍDAVNÉ ČERPADLO

V prípade, že budete chcieť použiť prídavné čerpadlo v systéme vykurovania, inštalujte ho do vratného okruhu kotla. Je to z dôvodu správneho fungovania tlakového spínača.

### UPOZORNENIE – SOLÁRNY SYSTÉM

V prípade pripojenia kotla s prietokovým ohrevom (kombinovaného) k systému so solárnymi panelmi, teplota TUV na vstupe do kotla nesmie byť vyššia ako 60°C.

## 13. UPOZORNENIE PRED INŠTALÁCIOU

Tento kotel slúži na ohrev vody na teplotu nižšiu ako je teplota varu pri atmosférickom tlaku. V závislosti na prevedení a výkone musí byť kotel pripojený na systém kúrenia v závislosti od jeho výkonu a od jeho funkcií.

Pred tým, ako odborný personál pripojí kotel podľa príslušných predpisov, je treba:

- a) Skontrolovať, či kotel je vhodný pre funkciu na plyn, ktorý je k dispozícii. Tento údaj je uvedený na obale a na štítku upevnenom na zariadení.
- b) Skontrolovať, či má komín vhodný ťah, nie je nikde zúžený a do komína neústia odvody spalín ďalších spotrebičov, s výnimkou prípadov, keď komín slúži podľa špecifických platných noriem a predpisov niekoľkým spotrebičom.
- c) V prípade pripojenia na už existujúci komín skontrolujte, či bolo potrubie dokonale vyčistené, pretože nečistoty vznikajúce pri spaľovaní, ktoré by sa počas funkcie mohli uvoľniť od stien, mohli by upchať priechod spalín.

Pre zachovanie správnej funkcie a záruky spotrebiča je ďalej nutné urobiť nasledujúce opatrenia:

#### 1. Okruh TUV:

1.1. Pokiaľ tvrdosť vody presahuje hodnotu 20 °F (1 °F = 10 mg uhličitanu vápenatého na liter vody), je nariadená inštalácia dávkovača polyfosfátov alebo systému s rovnakým účinkom zodpovedajúcim platným predpisom.

1.2. Pred inštaláciou spotrebiča a pred jeho použitím je potrebné systém starostlivo vyčistiť.

1.3. Materiály použité v okruhu úžitkovej vody výrobku zodpovedajú smernici Rady 98/83/ES.

#### 2. Okruh kúrenia

##### 2.1. Nový systém:

Pred inštaláciou zariadenia musí byť systém starostlivo vyčistený, aby boli odstránené zvyšky závitov, zvarov a prípadných riedidiel za pomoci vhodných prípravkov dostupných na trhu, ani zásaditých ani kyslých, iba tých, ktoré nenapádajú kovy, plastové a gumené časti. Výrobky odporúčané k tomuto účelu sú uvedené ďalej:

SENTINEL X300 alebo X400 a FERNOX Rigeratore pre okruhy kúrenia. Pri používaní týchto výrobkov dodržujte pozorne inštrukcie poskytnuté spolu s výrobkom.

##### 2.2. Pôvodný systém:

Pred inštaláciou kotla je potrebné systém úplne vyprázdniť a dobre očistiť od kalov a kontaminačných látok pomocou vhodných prostriedkov, ktoré sú dostupné na trhu a sú uvedené v bode 2.1.

Pre ochranu systému pred nánosmi je treba použiť prípravky zabráňujúce tvorbe usadenín ako SENTINEL X100 alebo FERNOX Protettivo pre tepelné systémy. Pri používaní týchto výrobkov dodržujte pozorne inštrukcie poskytnuté spolu s výrobkom. Pripomíname, že výskyt usadenín v tepelnom systéme spôsobuje prevádzkové problémy kotla (napr. prehrievanie a hlučnosť výmenníka).

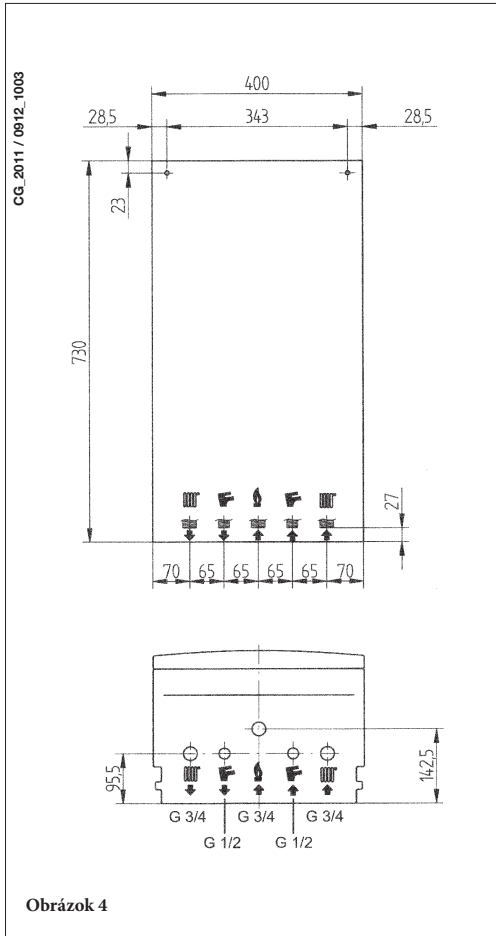
---

V prípade nedodržania týchto upozornení záruka stráca platnosť.

---



## 14. INŠTALÁCIA KOTLA



Po stanovení presného umiestnenia kotla, upevnite na stenu šablónu. Pri inštalácii postupujte od pripojenia vody a plynu, ktoré sa nachádza na spodnej časti šablóny.

Odporúčame nainštalovať na okruh vykurovania dva uzatváracie kohúty (na výstupe a na vstupe) G3/4, dodávané na objednávku, ktoré, v prípade dôležitých zásahov, umožňujú manipuláciu bez nutnosti vypustenia celého systému vykurovania. V prípade už existujúcich systémov alebo v prípade výmen, odporúčame okrem vyššie uvedeného inštalovať na spiatočke a na spodnej časti kotla tiež vhodný filter na zachytávanie usadenín a nečistôt, ktoré sa môžu vyskytovať i po vyčistení a časom by mohli poškodiť súčasti kotla. Nevhodný filter môže spôsobiť značný odpor v hydraulickom systéme a tým zhoršiť popr. obmedziť odovzdávanie tepla.

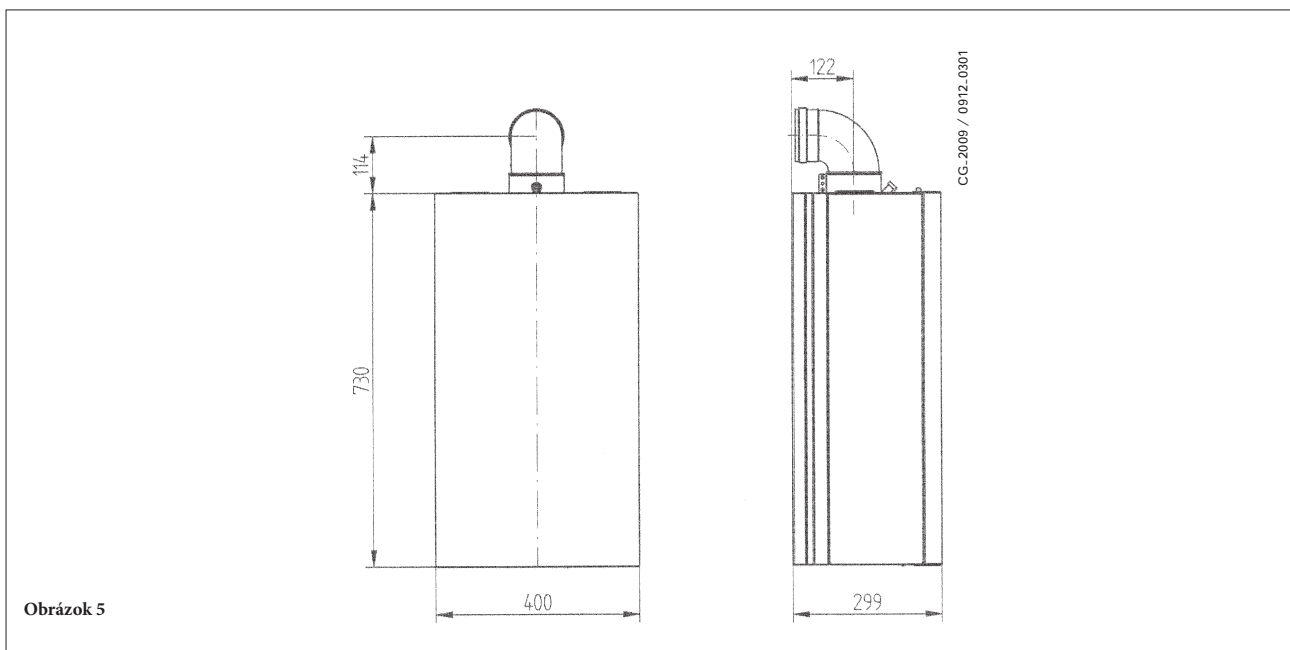
Po upevnení kotla na stenu vykonajte pripojenie oddymenia, ktoré je dodávané ako príslušenstvo ku kotlu, podľa návodu v nasledujúcich kapitolách.

	G <sup>3/4</sup> VSTUP DO KURENIA
	G <sup>3/4</sup> SPIATOČKA OKRUHU KÚRENIA
	G <sup>1/2</sup> VÝSTUP ZÁSOBNÍKU
	G <sup>1/2</sup> VSTUP STUDENEJ UŽITKOVEJ VODY
	G <sup>3/4</sup> VSTUP PLYNU DO KOTLA

### Upozornenie

Utiahajte opatrne hydraulické pripojenie na vsuvky kotla (maximálny zvierací prevod 30 Nm).

## 15. ROZMERY KOTLA



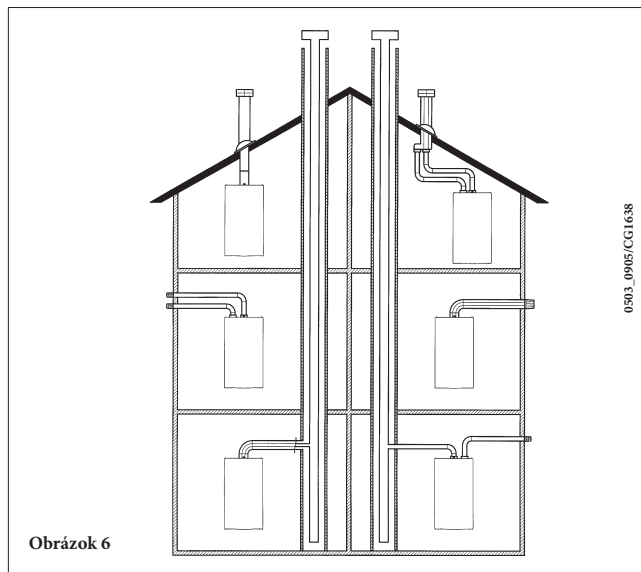
## 16. INŠTALÁCIA POTRUBIA ODVODU SPALÍN – PRISÁVANIA

Kotol musí byť inštalovaný s potrebným príslušenstvom (potrubím pre privádzanie spaľovacieho vzduchu a pre odvádzanie spalín). **K inštalácii používajte výhradne príslušenstvo dodávané výrobcom!**

Inštalácia kotla je ľahká a jednoduchá vďaka dodávanému príslušenstvu, ktorého popis je uvedený v nasledujúcich častiach tohto návodu.

Kotol je z výroby prednastavený na pripojenie potrubia odvodu spalín a prisávania koaxiálneho typu, vertikálneho alebo horizontálneho. Pomocou deliacej sady je možné inštalovať tiež delené oddymenie.

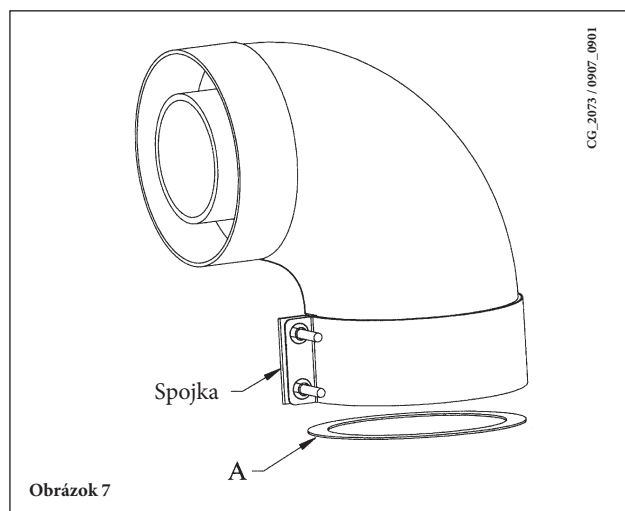
**UPOZORNĚNÍ:** *Pre vyššiu bezpečnosť prevádzky je nutné, aby bolo vedenie odvodu spalín dobre upevnené na stenu pomocou príslušných svoriek.*



Obrázok 6

### ... ODVOD SPALÍN A PRISÁVANIE - KOAXIÁLNE (KONCENTRICKÉ)

Tento typ umožňuje odvod spalín a prisávanie spaľovacieho vzduchu ako mimo budovy, tak aj v dymovode typu LAS. Koaxiálne koleno 90° umožňuje pripojiť kotol k potrubiu odvodu spalín – prisávania akéhokoľvek smeru vďaka možnosti rotácie o 360°. Toto koleno môže byť použité tiež ako prídavné koleno potrubia odvodu spalín, potrubia prisávania alebo s kolenom 45°.



Obrázok 7

CG\_2073 / 0907\_0901

V prípade, že je vedenie odvodu spalín a prisávania vedené vonkajškom budovy, potrubie odvodu spalín - prisávania musí vystupovať zo steny aspoň 18 mm, aby bolo možné umiestniť ružicu a utesniť ju proti presakovaniu vody.

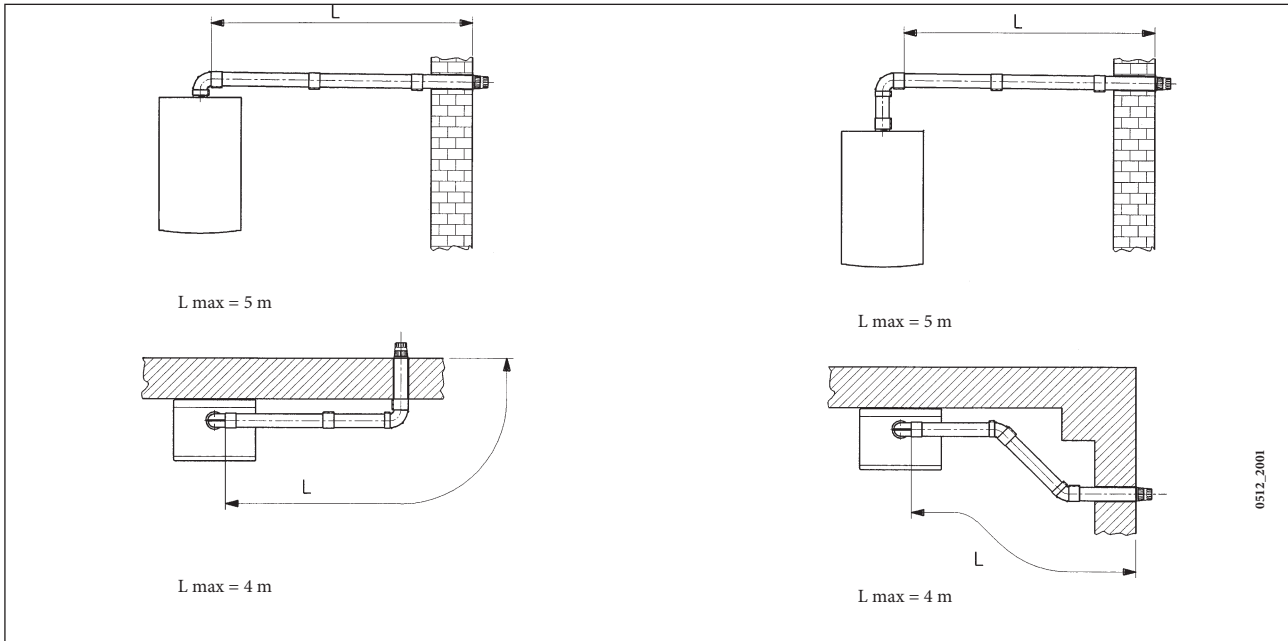
V prípade, že nemôže byť vykonané spádovanie vedenia odvodu spalín smerom von z kotla 1 cm na meter dĺžky, musí byť namontovaný kondenzačný kus.

- Pri použití kolena 90° sa skracuje celková dĺžka vedenia odvodu spalín a prisávania o 1 meter.
- Pri použití kolena 45° sa skracuje celková dĺžka vedenia odvodu spalín a prisávania o 0,5 metra.

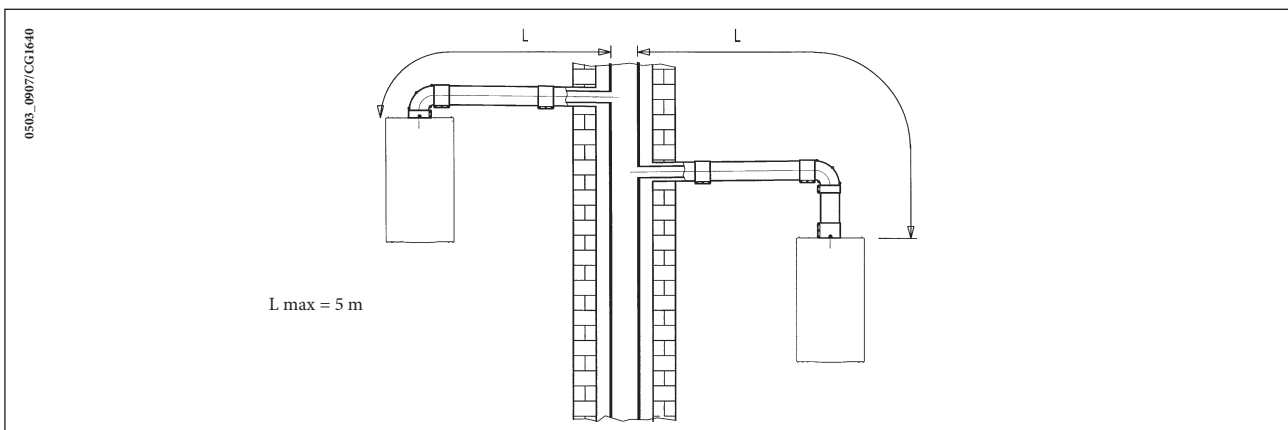
Prvé koleno 90° nie je zahrnuté do výpočtu maximálnej dĺžky oddymenia.

Dĺžka (m)	použitie clony na vedení odvodu spalín Ⓐ
0 ÷ 1	Áno
1 ÷ 5	Nie

## 16.1 PŘÍKLADY INŠTALÁCIE S HORIZONTÁLNYM VEDENÍM ODVODU SPALÍN A PRISÁVANIA

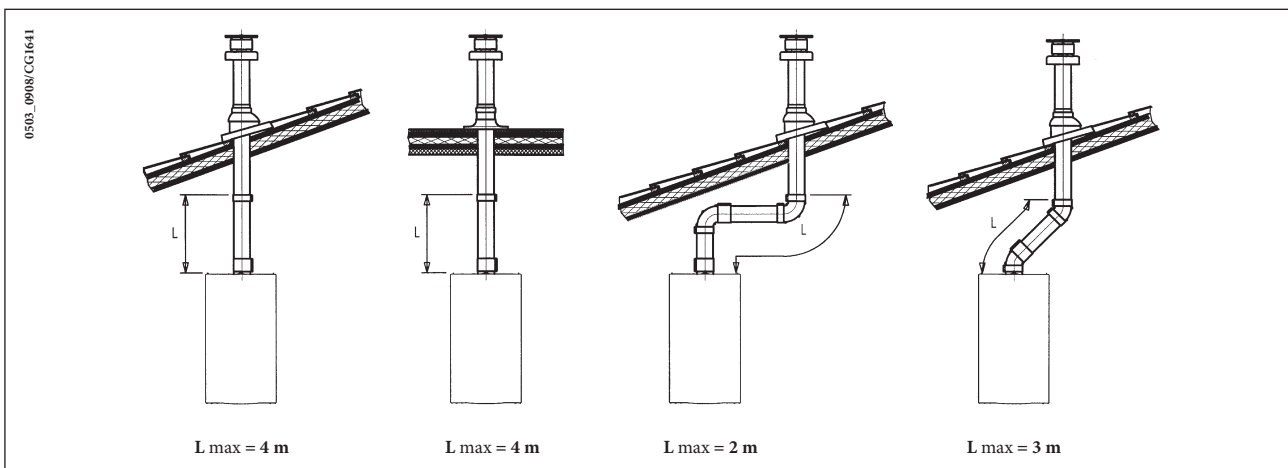


## 16.2 PŘÍKLADY INŠTALÁCIE S DYMOVODOM TYPU LAS



## 16.3 PŘÍKLADY INŠTALÁCIE S VERTIKÁLNYM VEDENÍM ODVODU SPALÍN A PRISÁVANIA

Inštalácia môže byť uskutočnená do šikmej, ako aj do vodorovnej strechy s využitím komínovej koncovky a príslušnej škridly. Toto príslušenstvo je dodávané na objednávku.



Podrobnejší návod, týkajúci sa spôsobov montáže príslušenstva, je uvedený v technických údajoch, ktoré sú súčasťou príslušenstva.

### ... ODDELENÉ POTRUBIE ODVODU SPALÍN – PRISÁVANIA

Tento typ umožňuje odvod spalín mimo budovu, ako aj cez jednotlivé dymovody. Prisávanie spaľovacieho vzduchu môže byť urobené v iných zónach, než je vyústenie odvodu spalín.

Sada deleného oddymenia sa skladá z redukčnej spojky odvodu spalín (100/80) a zo spojky prisávania vzduchu.

Použite tesnenie a skrutky spojky prisávania vzduchu, ktoré ste pred tým sňali zo zátky.

(L1+L2)	poloha clony	Použitie clony na vedení odvodu spalín Ⓐ	CO <sub>2</sub> %	
			G20	G31
0 ÷ 4	1	NIE	6,4	7,4
4 ÷ 18	2			
18 ÷ 30	3			

*Prvé koleno 90° nie je zahrnuté do výpočtu maximálnej dĺžky oddymenia.*

Koleno 90° umožní pripojiť kotol k potrubiu odvodu spalín a prisávania v akomkoľvek smere vďaka možnosti rotácie o 360°. Toto koleno môže byť používané tiež ako prídavné koleno potrubia odvodu spalín, potrubie prisávania alebo s kolenom 45°.

- *Pri použití kolena 90° sa skráti celková dĺžka vedenia odvodu spalín a prisávania o 0,5 metra.*
- *Pri použití kolena 45° sa skráti celková dĺžka vedenia odvodu spalín a prisávania o 0,25 metra.*

#### Nastavenie clony vzduchu pre delené oddymenie

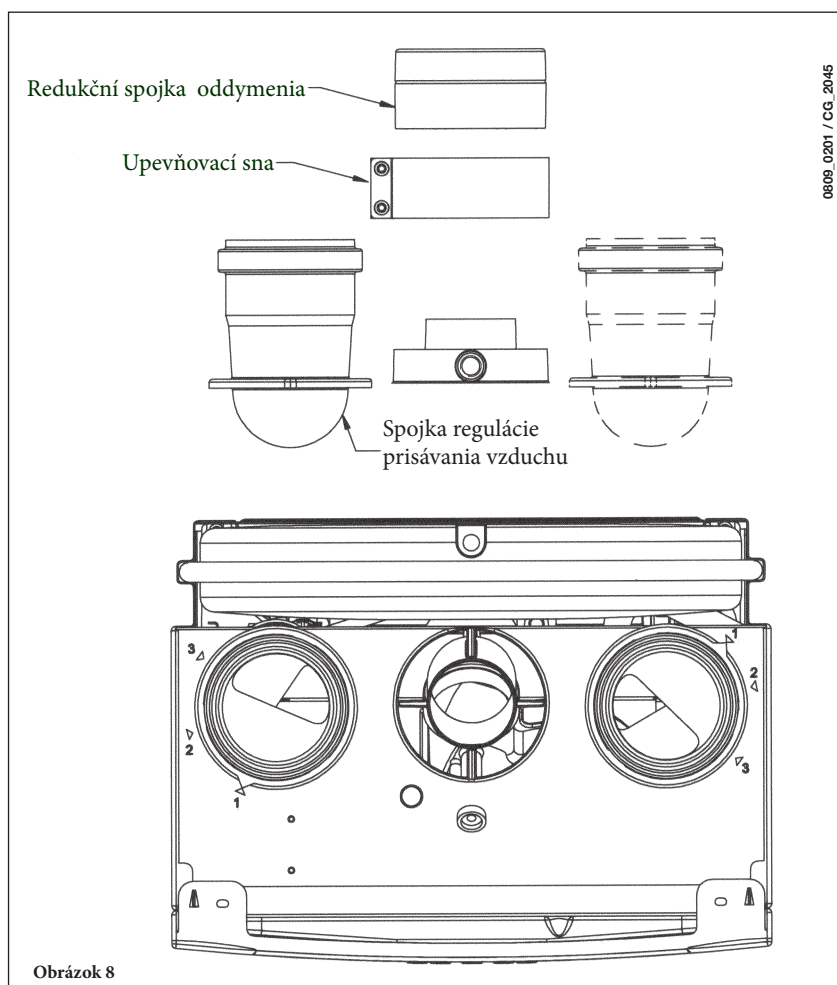
Nastavenie tejto clony je potrebné pre zlepšenie účinnosti a parametrov spaľovania.

Otáčaním spojky prisávania vzduchu, inštalované vpravo či vľavo od odvodu spalín, je možné vhodne regulovať nadbytok vzduchu v závislosti od celkovej dĺžky potrubia odvodu spalín a prisávania spaľovacieho vzduchu.

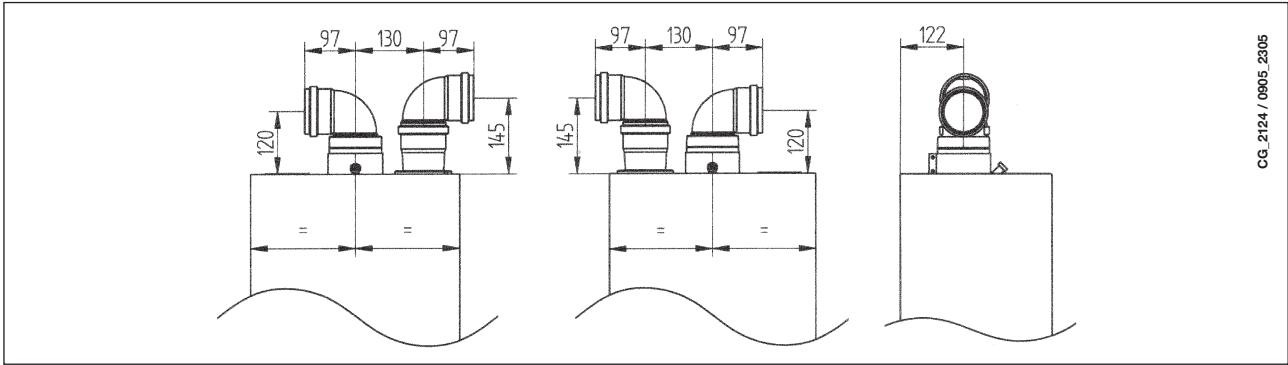
V závislosti od typu inštalácie otáčajte clonu v smere hodinových ručičiek pre zníženie prísunu spaľovacieho vzduchu a proti smere hodinových ručičiek pre jeho zvýšenie.

Pre zvýšenie účinnosti je možné pomocou analyzátoru spalín zmerať obsah CO<sub>2</sub> v spalinách pri maximálnom tepelnom výkone a nastavovať postupne clonu vzduchu až k dosiahnutiu hladiny CO<sub>2</sub>, uvedenej v predchádzajúcej tabuľke.

Pokyny k správnej montáži tejto clony nájdete priamo v balení.



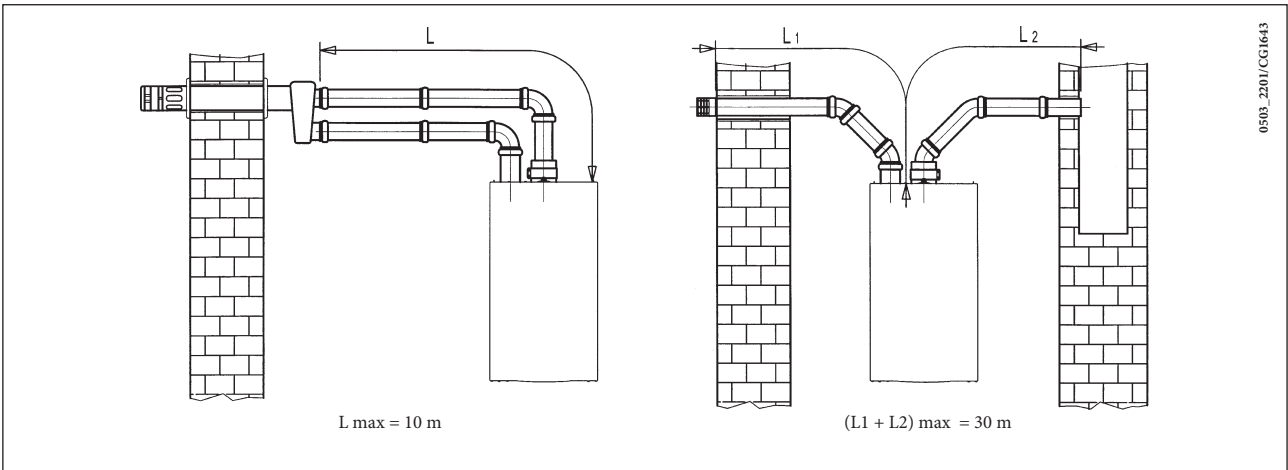
## 16.4 NÁKRES DELENÉHO ODDYMENIA



## 16.5 PRÍKLADY INŠTALÁCIE S DELENÝM HORIZONTÁLNYM VEDENÍM ODVODU SPALÍN A PRISÁVANIA

**DÔLEŽITÉ** - V prípade, že nemôže byť vykonané spádovanie vedenia odvodu spalín smerom von z kotla 1 cm na meter dĺžky, musí byť namontovaný kondenzačný kus.

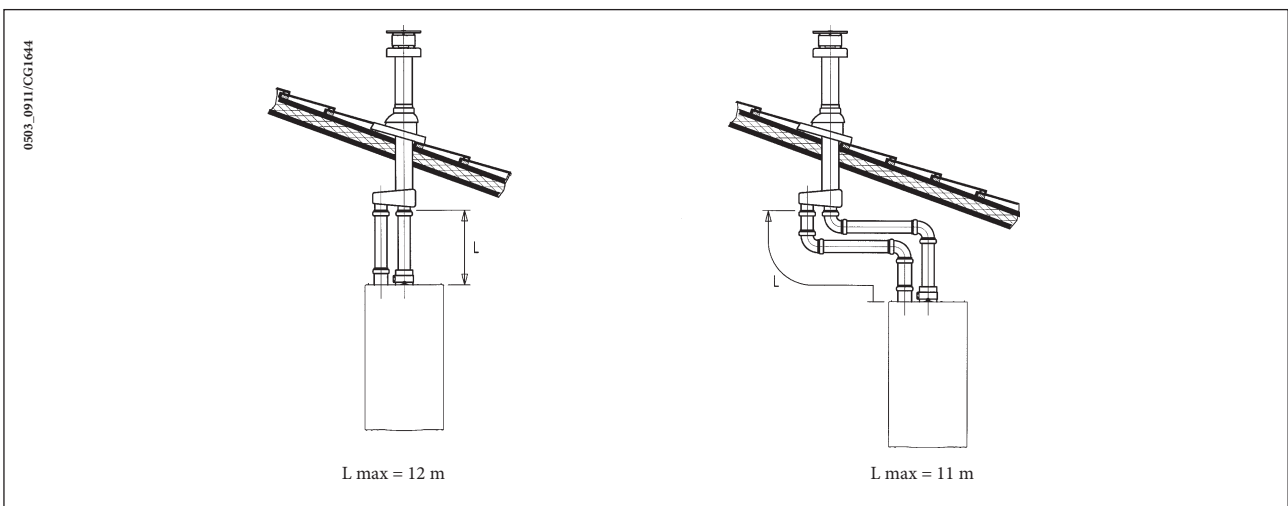
V prípade inštalácie kondenzačného T-kusu musí byť spádovanie vedenia odvodu spalín otočené smerom k tomuto kusu.



**Upozornenie:** V prípade inštalácie prisávania vzduchu z miestnosti „prevedenie B22“ je nutné zabezpečiť dostatočný prívod vzduchu pre spaľovanie do miestnosti, v ktorej je toto zariadenie umiestnené podľa TPG 704 01. Pre typ C52 nesmú byť koncovky potrubia pre prívod spaľovacieho vzduchu a pre odvod spalín umiestnené na protiľahlých stenách budovy. Vedenie prisávania musí mať maximálnu dĺžku 10 metrov pre odvod spalín C52.

Vedenie prisávania musí mať maximálnu dĺžku 10 metrov. V prípade, že je dĺžka vedenia odvodu spalín dlhšia než 4 metre, je nutné inštalovať do blízkosti kotla kondenzačný T-kus, ktorý je dodávaný ako príslušenstvo.

## 16.6 PRÍKLADY INŠTALÁCIE S DELENÝM VERTIKÁLNYM ODDYMENÍM



**Dôležité:** všetko vedenie odvodu spalín a prisávanie musí byť v miestach, kde sa dotýka stien bytu, dobre izolované pomocou vhodného izolačného materiálu (napr. izolácia zo sklenenej vaty).

Podrobnejšie pokyny o spôsobe montáže príslušenstva sú uvedené v technických návodoch, ktoré sú súčasťou jednotlivých príslušenstiev.

## 17. ELEKTRICKÉ PRIPOJENIE

Elektrická bezpečnosť prístroja je dosiahnutá len v prípade, že je kotol správne pripojený na účinné uzemnenie podľa platných noriem o bezpečnosti zariadenia STN 33 2180.

Kotol sa pripojuje do jednofázovej elektrickej napájacej siete o 230 V s uzemnením pomocou trojžilového kábla, ktorý je súčasťou vybavenia kotla, pričom je nutné dodržať polaritu Fáza – Nula.

**Pripojenie uskutočnite pomocou dvojpólového vypínača s otvorením kontaktov aspoň na 3 mm.**

V prípade, že je treba vymeniť napájací kábel, použite harmonizovaný kábel „HAR H05 VV-F“ 3x0,75 mm<sup>2</sup> s maximálnym priemerom 8 mm.

...Prístup k napájacej svorkovnici

- pomocou dvojpólového vypínača odpojte elektrické napájanie svorkovnice;
- odskrutkujte dve upevňovacie skrutky panela kotla;
- vyklopte ovládací panel
- odstránením poklopu sa dostanete k elektrickému pripojeniu (obrázok 9)

Poistky typu 2A sú umiestnené v napájacej svorkovnici (pri kontrole a/alebo výmene vytiahnite držiak poistky čiernej farby).

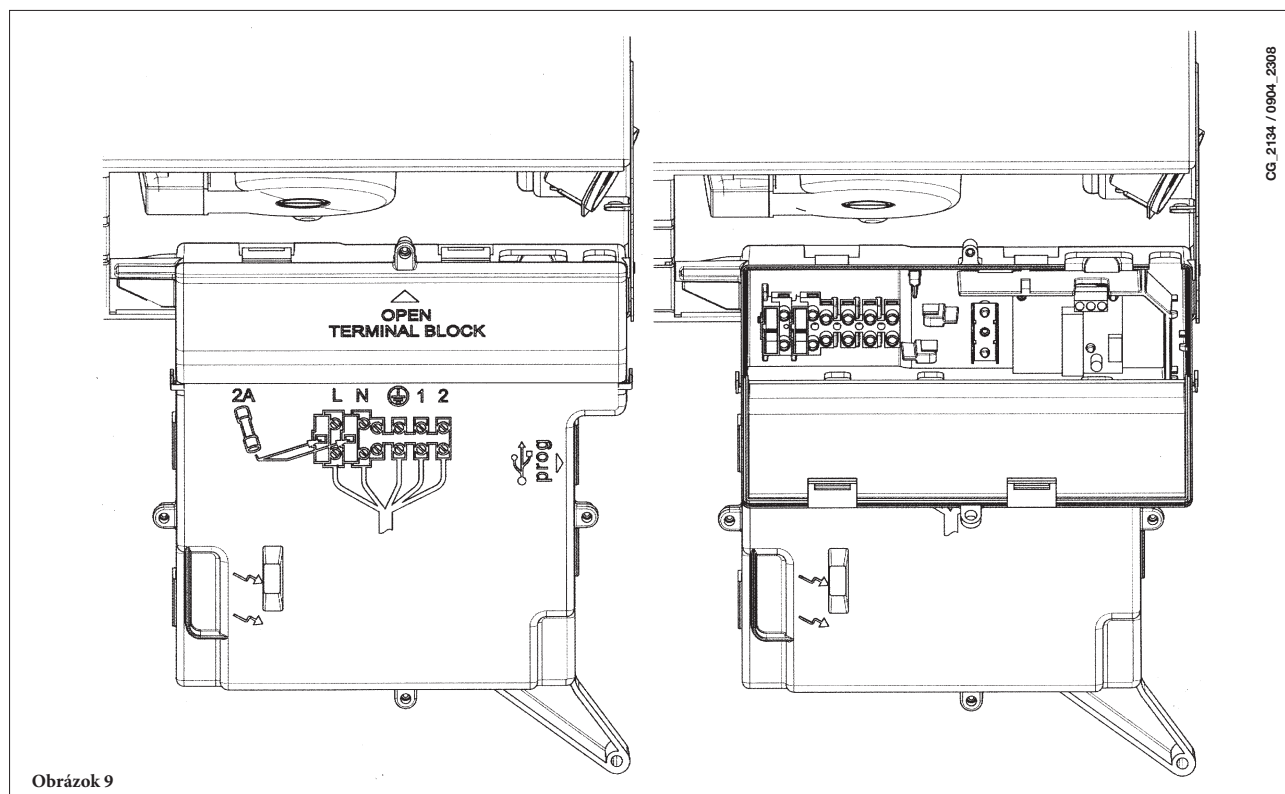
**DÔLEŽITÉ:** dodržujte polaritu napájania L (FÁZA) – N (NULA).

(L) = Fáza (hnedá)

(N) = Nula (svetlo modrá)

(⊕) = Uzemnenie (žlto-zelená)

(2) = Kontakt priestorového termostatu



## 18. PRIPOJENIE PRIESTOROVÉHO TERMOSTATU

Pristúpte k napájacej svorkovnici (obrázok 9) podľa popisu v predchádzaj kapitole;

- Vytiahnite mostík, ktorý sa nachádza na svorkách (1) a (2).
- Pretiahnite dvojžilový kábel cez káblovú priechodku a pripojte ho k týmto dvom svorkám.

## 19. SPÔSOB ZMENY PLYNU

Kotol môže byť autorizovaným technickým servisom transformovaný na použitie na zemný plyn (G.20), alebo tekutý plyn propán (G. 30, G. 31).

Postup zmeny plynu je nasledujúci:

- A) výmena trysiek hlavného horáku
- B) zmena napätia v modulátore
- C) nové nastavenie max. a min. hodnôt regulátora tlaku.

### A) Výmena trysiek

- opatrne vyjmite hlavný horák;
- vymeňte trysky hlavného horáku a dôkladne je utiahnite, aby nedochádzalo k úniku plynu. Priemery trysiek sú uvedené v tabuľke 2.

### B) Zmena napätia v modulátore

- v závislosti na typu plynu nastavte parameter **F02** podľa popisu v kapitole 21;

### C) Nastavenie regulátora tlaku

- pripojte kladný vstup diferenčného manometra, pokiaľ možno vodného, na výstup (**Pb**) plynového ventilu (obrázok 10). Iba u typov s uzavretou komorou pripojte záporný vstup tohto manometra k príslušnému „T“, ktorý umožní prepojenie kompenzačného výstupu kotla, plynového ventilu (**Pc**) a manometra. (Rovnakú hodnotu je možné dosiahnuť prepojením iba kladného vstupu manometra (**Pb**) s odstráneným panelom uzavretej komory); Meranie tlaku v horáku urobené inou metódou, ako je popísaná vyššie, by mohlo byť nepresné, pretože by nezahrnovalo podtlak spôsobený ventilátorom v uzavretej komore.

### C1) Nastavenie na menovitý výkon:

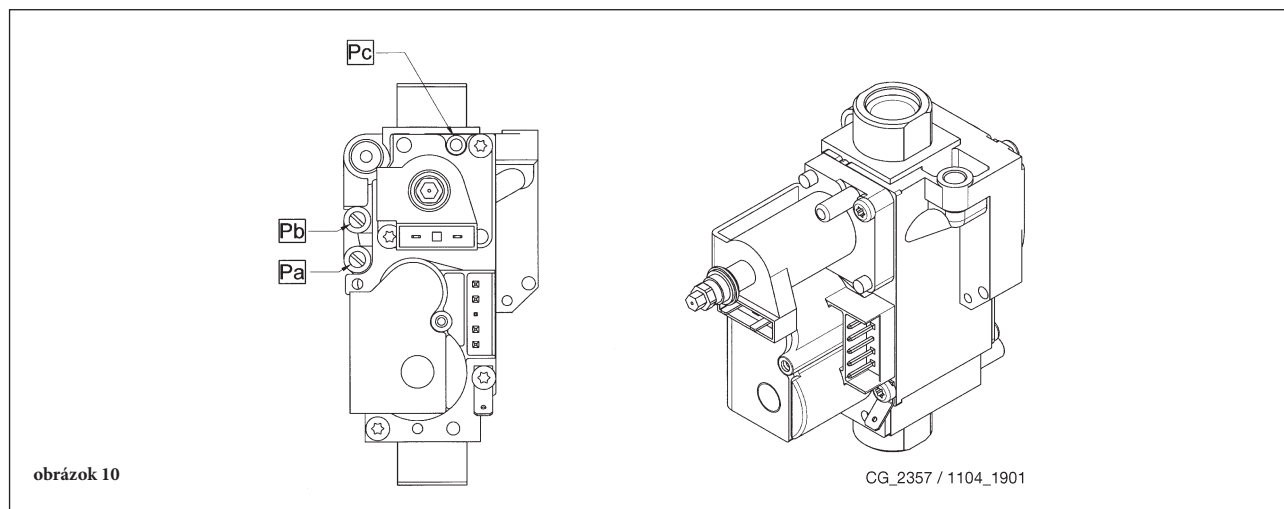
- Otvorte plynový kohút a nastavte kotol do prevádzky Zima;
- otvorte kohút odberu úžitkovej vody na prietok najmenej na 10 litrov za minútu a skontrolujte sa, či požiadavka tepla nastavená na maximálnej hodnote;
- odstráňte kryt modulátora;
- otáčaním mosadznej matice (a) nastavte hodnoty pretlaku uvedené v tabuľke 1;
- skontrolujte, či je správne nastavený vstupný pretlak plynu do kotla, meraný na vstupe (**Pa**) plynového ventilu (obrázok 10) (37 mbar pre propán alebo 20 mbar pre zemný plyn).

### C2) Nastavenie na obmedzený výkon:

- odpojte napájací vodič modulátora a uvoľňujte červenú skrutku (b) až do dosiahnutia hodnoty pretlaku zodpovedajúcej minimálnemu výkonu (viď tabuľka 1);
- znovu pripojte napájací vodič;
- namontujte a zapečatíte kryt modulátora.

### C3) Záverečné kontroly

- nalepte dodatočný štítok dodávaný pre prípad zmeny plynu a zaznamenajte druh plynu a urobené nastavenie.





## 19.1 FUNKCIA KALIBRÁCIE PLYNOVÉHO VENTILU

Za účelom zjednodušenia výkonu kalibrácie plynového ventilu je možné nastaviť funkciu kalibrácie priamo na ovládacom paneli kotla tak, ako je to opísané nasledovne :

- sťačte súčasne a držte aspoň 6 sekúnd stisnuté tlačítka + a +;
- približne po 6 sekundách symboly začnú blikať;
- na displeji sa zobrazí s intervalom 1 sekundy, "100" a **prívodná teplota**.  
V tejto fáze kotol funguje na maximálny výkon ohrievania (100%).
- stisnutím tlačítok +/- je možné nastaviť okamžite (100% alebo 0%) výkon kotla;
- Regulovať šroub "Pmax/Pmin" (obr.10), až kým nedosiahneme hodnotu tlaku, ktorý je uvedený v Tabuľke 1.

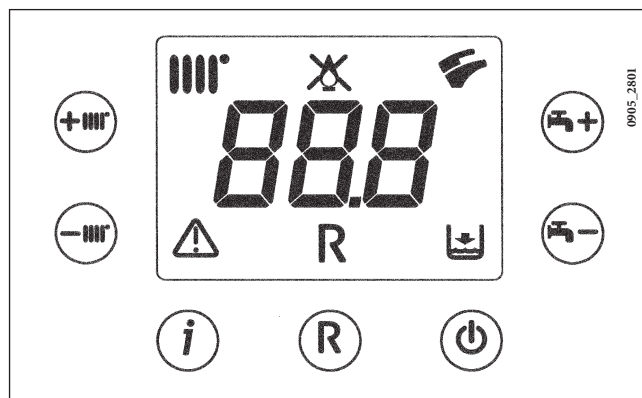
Pre nastavenie maximálneho tlaku použite skrutku „Pmax“

(obr. 10) a otáčajte ju v smere hodinových ručičiek pre zvýšenie alebo proti smeru hodinových ručičiek pre zníženie tlaku horáku.

Pre nastavenie minimálneho tlaku použite skrutku „Pmin“ (obr. 10) a otáčajte ju proti smeru hodinových ručičiek pre zvýšenie alebo v smere hodinových ručičiek pre zníženie tlaku horáku.

- stisnutím tlačítok +/- je možné nastaviť postupne požadovanú úroveň výkonu (interval = 1%).

Pre výstup z funkcie stisnite tlačítka .



### Poznámka

Z funkcie sa automaticky vystúpi po uplynutí 15-tich minút, kedy sa elektronická tabuľa vráti na stav, ktorý predchádzal aktivácii tejto funkcie, alebo po dosiahnutí maximálnej nastavenej teploty.

## 19.2 ZMENA PARAMETROV

Postup pre prístup k parametrom je nasledovný:

- stisnite súčasne tlačítka - a - a držte ich stisnuté asi 6 sekúnd, na displeji sa objaví nápis "F01", ktorý sa strieda s nastavenou hodnotou;
- po stisnutí tlačítok +/- sa objaví zoznam parametrov;
- pre zníženie alebo zvýšenie hodnoty zvoleného parametra stisnite príslušné tlačítka +/- ;
- stisnutím tlačítka uložíte do pamäti naprogramovanie nastavených parametrov (na displeji sa objaví na niekoľko sekúnd nápis "MEM").
- stisnutím tlačítka vystúpite z programácie bez uloženia do pamäti (na displeji sa objaví na niekoľko sekúnd nápis "ESC").

### UPOZORNENIE

Pre zmenu plynu z G20 na G31 zmeňte parametre F02, F08 a F09 tak, ako je to ukázané v tabuľke v odstavci 21. Umiestnite doplnkovú tabuľku, ktorá je súčasťou vybavenia, s uvedeným typom plynu a vykonanou kalibráciou.

#### Tabuľka dýz horáka

Druh plynu	G20	G31
Priemer dýz (mm)	1,28	0,77
Pretlak horáka (mbar*) <b>Minimálny výkon</b>	2,0	5,7
Pretlak horáka (mbar*) <b>Maximálny výkon</b>	11,2	32,6
Počet dýz	13	

\* 1 mbar = 10,197 mm H<sub>2</sub>O

Tabuľka 1

Spotreba 15°C-1013 mbar	G20	G31
<b>Maximálny výkon</b>	2,73 m <sup>3</sup> /h	2,00 kg/h
<b>Minimálny výkon</b>	1,12 m <sup>3</sup> /h	0,82 kg/h
<b>Výhrevnosť plynu</b>	34,02 MJ/m <sup>3</sup>	46,34 MJ/kg

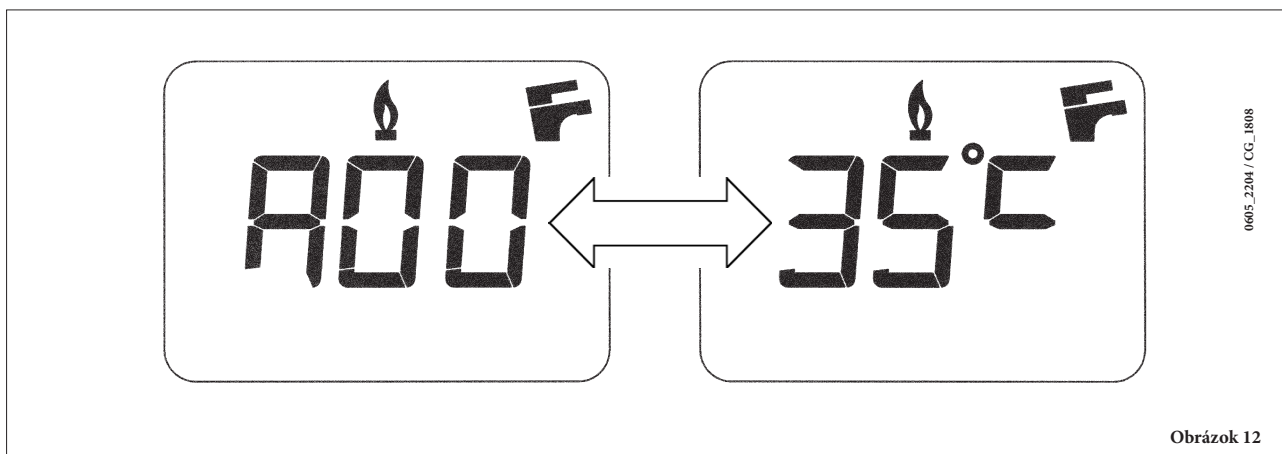
Tabuľka 2

**Upozornenie:** Nastavenie a úpravy kotla pri zámene jedného paliva iným palivom musí vykonať len odborný vyškolený pracovník. Po prestavbe musí zariadenie označiť štítkom a zaistiť proti neoprávnenému zásahu.

## 20. ZOBRAZENIE PARAMETROV NA DISPLEJI (FUNKCIA "INFO")

Pre zobrazenie niektorých informácií o prevádzke kotla na displeji, ktorý je umiestnený na čelnom paneli kotla, stlačte aspoň na 5 sekúnd tlačidlo «i».

**POZNÁMKA:** ak je funkcia "inFo" aktívna, na displeji (obrázok 12) sa zobrazuje nápis "a00", ktorý sa strieda so zobrazením teploty na výstupe kotla:





- Stlačte tlačidlá  (+/-) pre zobrazenie nasledujúcich informácií:




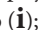
**A00:** aktuálna teplota (°C) TÚV;  
**A01:** aktuálna vonkajšia teplota (°C) (s pripojenou vonkajšou sondou);  
**A02:** okamžitá hodnota (%) kontrolného signálu plynovej armatúry;  
**A03:** hodnota (%) rozsahu výkonu (MAX R);  
**A04:** teplota (°C) nastavenia kúrenia;  
**A05:** aktuálna teplota (°C) vstupu do kúrenia;  
**A06:** teplota (°C) nastavenia TÚV;  
**A07:** Nevyužívaný;  
**A08:** Nevyužívaný;  
**A09:** posledná zistená porucha kotla.

- Táto funkcia je aktívna po dobu 3 minút. Funkciu „INFO“ je možné predčasne ukončiť tak, že aspoň na 5 sekúnd stlačte tlačidlo „i“ alebo tak, že prerušíte prívod elektrického napätia do kotla.

## 21. NASTAVENIE PARAMETROV

Pre nastavenie parametrov kotla stlačte súčasne aspoň na 6 sekúnd tlačidlo (– ) a tlačidlo (– ) Ak je funkcia aktívna, na displeji sa zobrazuje nápis “F01”, ktorý sa strieda s hodnotou zobrazovaného parametra.

### Zmena parametrov

- Pre prehľad parametrov stlačte tlačidlá (+/– )
- Pre zmenu jednotlivého parametra stlačte tlačidlá (+/– )
- Pre uloženie hodnoty stlačte tlačidlo () na displeji sa zobrazuje nápis “MEM”
- Pre výstup z funkcie bez uloženia stlačte tlačidlo () na displeji sa zobrazuje nápis “ESC”.

	Popis parametrov	Nastavenie z výroby
F01	Typ kotla 10 = uzavretá spaľ. komora - 20 = otvorená spaľ. komora	10
F02	Druh používaného plynu 00 = G20 01 = G31	00 alebo 01
F03	Hydraulický systém	02
F04 F05	Nastavenie programovateľného relé (Vid' pokyny pre SERVIS) 00 = žiadna nastavená funkcia	00
F06	Nastavenie maximálnej teploty (°C) kúrenia 00 = 76°C (Vypnutie horáka pri teplote 80°C) 01 = 45°C	00
F07	Nastavenie vstupu prednosti TUV	02
F08	Max výkon v kúrení (0-100%)	100
F09	Max výkon v okruhu TUV (0-100%)	100
F10	Min výkon v kúrení (0-100%)	00
F11	Doba odstávky kúrenia pred novým spustením (00-10 minút) - 00=10 sekúnd	03
F12	Diagnostika (Vid' pokyny pre SERVIS)	--
F13	Typ výmenníka 00 = 270 mm 01 = 225 mm	00
F14	Kontrola správnej prevádzky TUV 00 = mimo prevádzku 01 = vždy v prevádzke	00
F15	Nastavenie z výroby	00
F16...F17	Informácie výrobcu --- Nevyužívaný	00

## 22. REGULAČNÉ A BEZPEČNOSTNÉ PRVKY

Kotol je konštruovaný tak, aby vyhovoval všetkým príslušným európskym normatívnym predpisom, a je špeciálne vybavený:

- **manostat**

Tento manostat umožňuje zapálenie horáka len v prípade bezchybného prevedenia odvodu spalín a prisávania.

Ak sa vyskytne jedna z nasledujúcich porúch:

- upchaná koncovka odvodu spalín
- upchaná Venturiho trubica
- zablokovaný ventilátor
- prerušené pripojenie manostatu

kotol vyčkáva a zobrazuje sa kód poruchy E 03 (viď tabuľka v kapitole 10).

- **Bezpečnostný termostat prehriatia**

Tento termostat, ktorého senzor je umiestnený na výstupe do kúrenia, preruší prívod plynu k horáku v prípade prehriatia vody primárneho okruhu. V tomto prípade sa kotol zablokuje a len v okamžiku, keď je odstránená príčina zásahu, je možné zopakovať zapálenie tak, že stlačíte aspoň na 2 sekundy tlačidlo (R).

---

Je zakázané odstavovať z prevádzky toto bezpečnostné zariadenie

---

- **Ionizačná kontrolná elektróda**

Ionizačná elektróda, ktorá je umiestnená na pravej časti horáka, zaručuje bezpečnosť v prípade nedostatku plynu alebo neúplného zapálenia horáka.

V tomto prípade sa kotol zablokuje po 3 pokusoch zapálenia.

Pre obnovenie normálneho chodu je nutné stlačiť aspoň na 2 sekundy tlačidlo (R).

- **Hydraulický spínač tlaku**

Tento umožňuje zapálenie horáka len v prípade, že tlak v systéme je vyšší než 0,5 barov

- **Dobeh čerpadla v okruhu kúrenia**

Dobeh čerpadla, uskutočňovaný elektronicky, trvá 180 sekúnd a je aktivovaný vo vykurovaní, po vypnutí horáka po zásahu priestorového termostatu.

- **Dobeh čerpadla v okruhu TUV**

Dobeh čerpadla, uskutočňovaný elektronicky, trvá 30 sekúnd a je aktivovaný v okruhu TUV, po vypnutí horáka po zásahu sondy.

- **Ochrana proti zamrznutiu (okruh vykurovania)**

Elektronické ovládanie kotla je vybavené funkciou proti zamrznutiu v okruhu vykurovania, ktorá sa aktivuje, keď je teplota vody privádzanej do systému nižšia než 5°C. Táto funkcia uvedie do prevádzky horák, ktorý pracuje až do doby, keď teplota privádzanej vody dosiahne hodnotu 30°C.

Táto funkcia je aktívna, ak je kotol elektricky napájaný, je pripojený plyn, a v systéme je predpísaný tlak.

- **Zablokovaná cirkulácia vody v primárnom okruhu (pravdepodobne zablokované čerpadlo)**

V prípade zablokovanej alebo nedostatočnej cirkulácie vody v primárnom okruhu sa kotol zablokuje a na displeji sa zobrazuje kód poruchy E25 (kapitola 10).

- **Funkcia proti zablokovaniu čerpadla**

V prípade, že nie je vyžadované teplo v okruhu kúrenia po dobu 24 hodín, aktivuje sa automaticky na 10 sekúnd čerpadlo. Táto funkcia je aktívna, ak je kotol elektricky napájaný.

- **Hydraulický poistný ventil (okruh vykurovania)**

Tento poistný ventil, nastavený na 3 bary pre vykurovací systém, musí byť zvedený do odpadu.

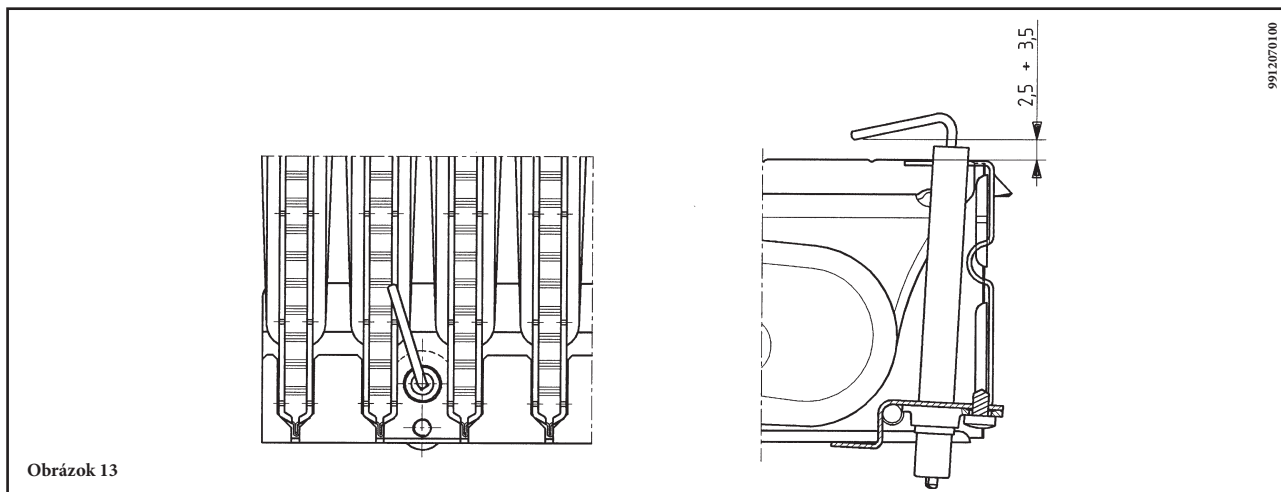
---

Je zakázané vyradiť z prevádzky akýkoľvek bezpečnostný prvok. Pri opakovaní poruchy niektorého z bezpečnostných prvkov kontaktujte autorizovaný servis. Odporúčame, pripojiť poistný ventil k odpadu so sifónom. Je zakázané používať poistný ventil k vypúšťaniu okruhu vykurovania.

---

**POZNÁMKA:** I v prípade poruchy sondy NTC okruhu TUV je výroba teplej vody zaistená. Kontrola teploty je v tomto prípade vykonaná prostredníctvom sondy na vstupe.

## 23. UMIESTNENIE ZAPAĽOVACEJ ELEKTRODY A KONTROLA PLAMEŇA



## 24. KONTROLA PARAMETROV SPAĽOVANIA

Na meranie účinnosti spaľovania a rozboru spalín pri prevádzke, sú modely kotlov s núteným odvodom spalín vybavené dvomi meracími bodmi, ktoré sú umiestnené na koaxiálnej spojke a sú určené priamo k tomuto špecifickému účelu.

Jeden bod je na odvode spalín a pomocou neho je možné preveriť správne zloženie spalín a účinnosť spaľovania.

Druhý bod je na prisávaní spaľovacieho vzduchu. V tomto bode je možné preveriť prípadnú spätnú cirkuláciu spalín, ak ide o koaxiálny odvod spalín.

V bode odvodu spalín je možné zistiť nasledujúce údaje:

- teplotu spalín;
- koncentráciu kyslíka ( $O_2$ ) alebo oxidu uhličitého ( $CO_2$ );
- koncentráciu oxidu uhoľnatého (CO).

Teplota spaľovacieho vzduchu musí byť meraná v bode okruhu prisávania vzduchu pomocou meracej sondy, ktorá sa vloží do hĺbky cca 3 cm.

**Poznámka:** pre reguláciu maximálneho výkonu viď kapitola 19 (C)

U modelov s odvodom spalín do komína je nutné urobiť otvor do odvodu spalín. Tento otvor musí byť vo vzdialenosti od kotla, ktorá bude 2-krát väčšia než vnútorný priemer odvodu spalín.

Pomocou tohto otvoru môžu byť zisťované nasledujúce údaje:

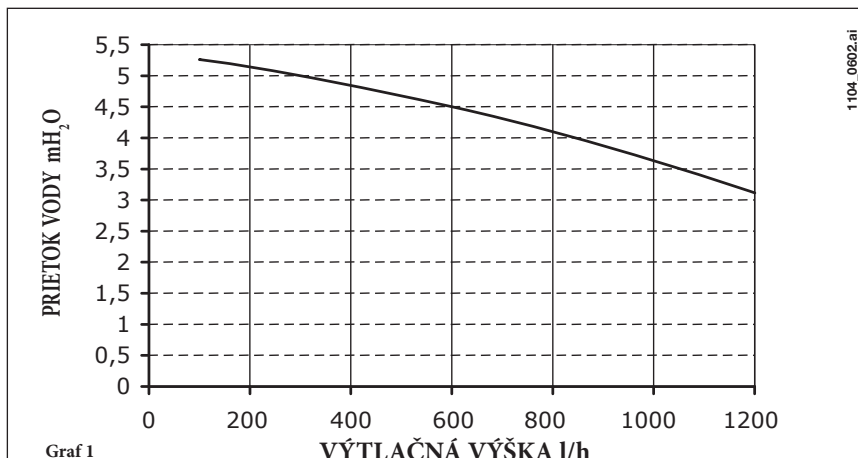
- teplota spalín;
- koncentrácia kyslíka ( $O_2$ ) alebo oxidu uhličitého ( $CO_2$ );
- koncentrácia oxidu uhoľnatého (CO).

Meranie teploty spaľovaného vzduchu musí byť vykonávané v blízkosti vstupu vzduchu do kotla.

Otvor, ktorý musí byť vyrezaný zodpovedným technikom pri uvedení kotla do prevádzky, musí byť následne uzavretý tak, aby bola zaistená tesnosť odvodu spalín počas normálnej prevádzky.

## 25. ÚDAJE O PRIETOKU VODY/VÝTLAČNEJ VÝŠKE NA VÝSTUPE KOTLA

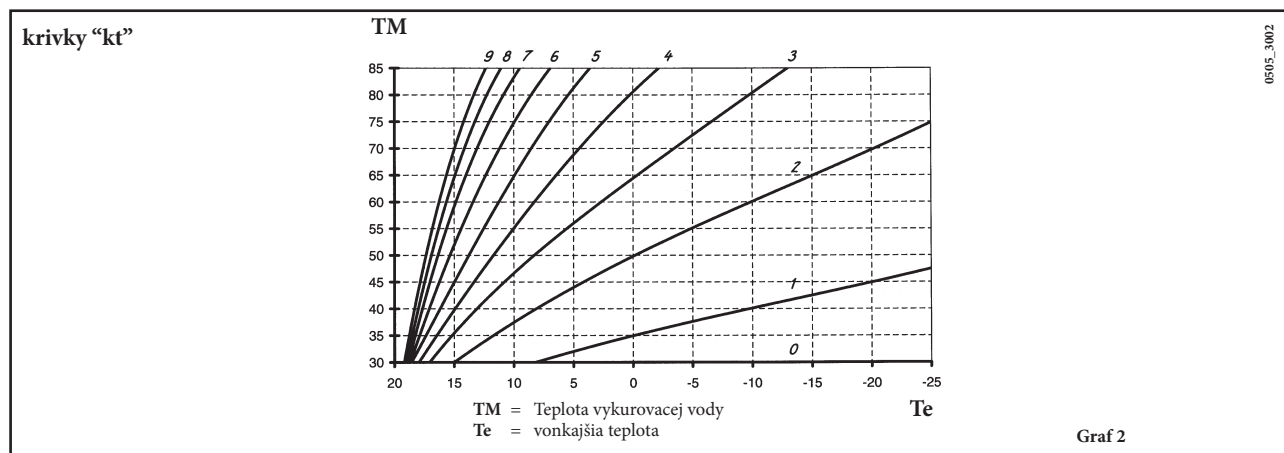
Použitý typ čerpadla sa vyznačuje vysokou výtlačnou výškou s možnosťou použitia na akomkoľvek type systému vykurovania, či už jedno trubkovom alebo dvoj trubkovom. Automatický odvzdušňovací ventil, zabudovaný v telese čerpadla, umožňuje rýchle odvzdušnenie systému vykurovania.



## 26. PRIPOJENIE VONKAJŠEJ SONDY

Medzi káblami ovládacej krabice sú i dva vodiče ČERVENEJ farby s ukončením faston. Pripojte vonkajšiu sondu na koncovky týchto dvoch vodičov.

S pripojenou vonkajšou sondou je možné posúvať vykurovaciu krivku "kt" (Graf 2) stlačením tlačidiel +/- .



## 27. ROČNÁ ÚDRŽBA

K zaisteniu optimálnej prevádzky kotla je potrebné jeden krát ročne vykonať nasledujúce kontroly:

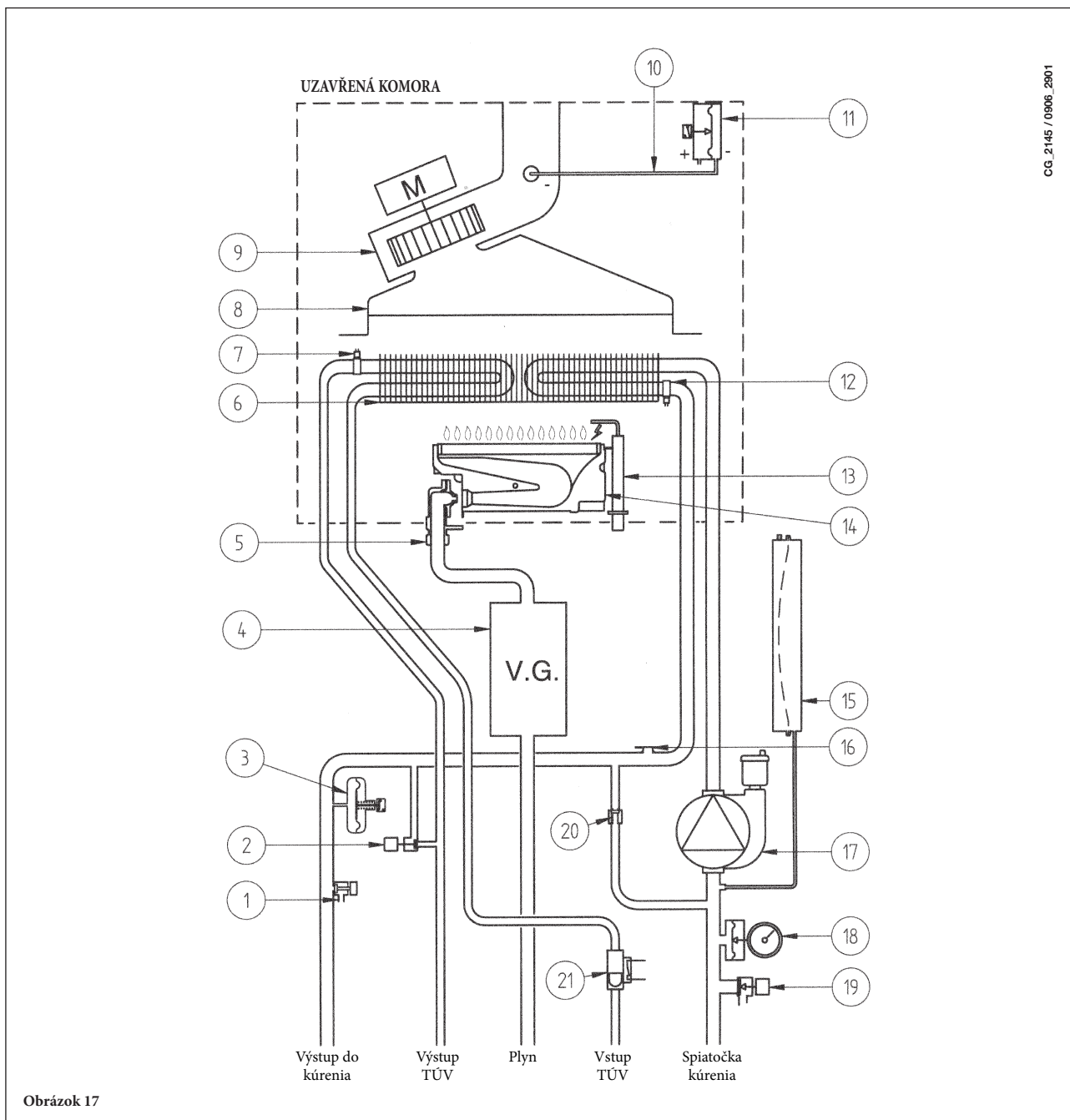
- kontrola stavu a tesnosti tesnení okruhu plynu a spaľovania;
- kontrola stavu a správneho umiestnenia zapalovacej a ionizačnej elektródy;
- kontrola stavu horáka a jeho upevnenia na hliníkovej prírubke;
- kontrola prípadných nečistôt vo vnútri spaľovacej komory.
- kontrola správneho nastavenia plynovej armatúry;
- kontrola pretlaku vo vykurovacom systéme;
- kontrola pretlaku v expanznej nádobe;
- kontrola správneho fungovania ventilátora;
- kontrola správneho ťahu vedenia oddymenia a prisávania.

### UPOZORNENIE

Pred vykonaním akéhokoľvek zásahu sa uistite, že kotol nie je elektricky napájaný.

Po vykonaní údržby vráťte ovládače a/alebo prevádzkové parametre kotla do pôvodného stavu.

## 28. FUNKČNÁ SCHÉMA OKRUHOV



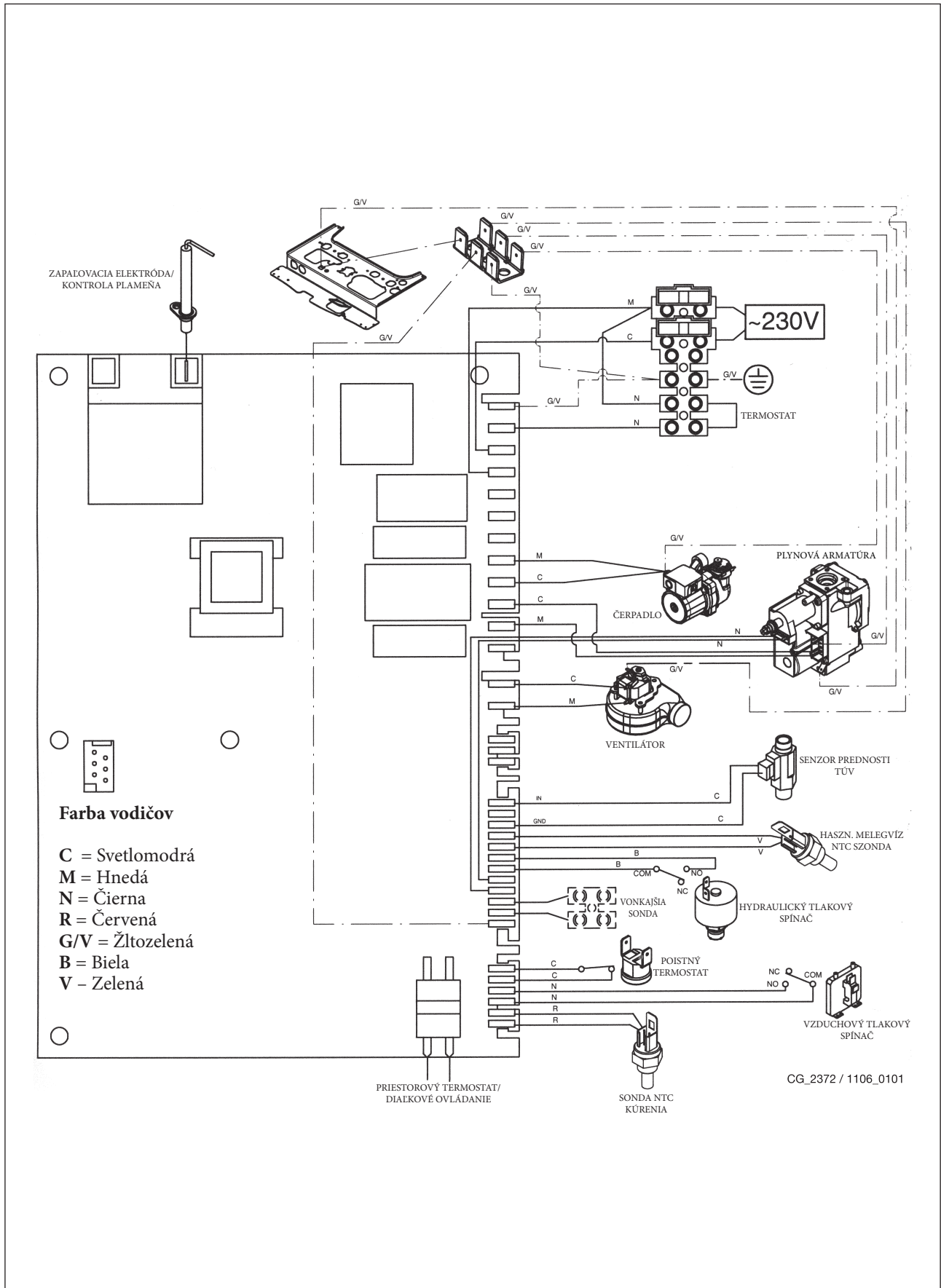
CG\_2145 / 0906\_2801

### Legenda:

- |    |                          |    |                                  |
|----|--------------------------|----|----------------------------------|
| 1  | Vypúšťací kohút kotla    | 12 | Sonda NTC kúrenia                |
| 2  | Napúšťací kohút kotla    | 13 | Zapaľovacia /kontrolná elektróda |
| 3  | Hydraulický spínač tlaku | 14 | Horák                            |
| 4  | Plynová armatúra         | 15 | Expanzná nádoba                  |
| 5  | Plynová rampa s dýzami   | 16 | Bezpečnostný termostat           |
| 6  | Primárny výmenník        | 17 | Čerpadlo so separátorom vzduchu  |
| 7  | Sonda NTC TUV            | 18 | Manometer                        |
| 8  | Zberač spalín            | 19 | Poistný ventil                   |
| 9  | Ventilátor               | 20 | Automatický by-pass              |
| 10 | Meracie hrdlo podtlaku   | 21 | Čidlo prednosti TUV              |
| 11 | Manostat                 |    |                                  |



# 29. SCHÉMA PRIPOJENIA KONEKTOROV



## 30. TECHNICKÉ ÚDAJE

### Model kotla MAINFOUR 240F

Kategória		II <sub>2H3P</sub>	
Menovitý tepelný príkon	kW	25,8	
Minimálny tepelný príkon	kW	10,6	
Menovitý tepelný výkon	kW	24	
	kcal/h	20.600	
Minimálny tepelný výkon	kW	9,3	
	kcal/h	8.000	
Účinnosť podľa smernice 92/42/CEE	—	★★★	
Maximálny pretlak vody v okruhu kúrenia	bar	3	
Objem expanznej nádoby	l	6	
Pretlak expanznej nádoby	bar	1	
Maximálny pretlak vody v okruhu TUV	bar	8	
Min. dynamický pretlak vody v okruhu TUV	bar	0,15	
Min. prietok TUV	l/min	2,0	
Množstvo TUV pri $\Delta T=25\text{ }^{\circ}\text{C}$	l/min	13,7	
Množstvo TUV pri $\Delta T=35\text{ }^{\circ}\text{C}$	l/min	9,8	
Špecifický prietok (*)	l/min	11	
Rozsah regulácie teploty vykurovacej vody	$^{\circ}\text{C}$	30/76	
Rozsah regulácie teploty TUV	$^{\circ}\text{C}$	35/55	
Prevedenie kotla	—	C12-C32-C42-C52-C82-B22	
Priemer koaxiálneho vedenia oddymenia	mm	60	
Priemer koaxiálneho vedenia prisávania	mm	100	
Priemer deleného vedenia oddymenia	mm	80	
Priemer deleného vedenia prisávania	mm	80	
Priemer oddymenia (odvod do komína)	mm	-	
Max. hmotnostný prietok spalín	kg/s	0,016	
Min. hmotnostný prietok spalín	kg/s	0,016	
Max. teplota spalín	$^{\circ}\text{C}$	149	
Min. teplota spalín	$^{\circ}\text{C}$	119	
Trieda NOx	—	3	
Druh plynu	—	G20	
	—	G31	
Pripojovací pretlak - zemný plyn	mbar	20	
Pripojovací pretlak - propán	mbar	37	
Elektrické napätie	V	230	
Elektrická frekvencia	Hz	50	
Menovitý elektrický výkon	W	130	
Hmotnosť	kg	31	
Rozmery	výška	mm	730
	šírka	mm	400
	hĺbka	mm	299
Elektrické krytie (**)		IP X5D	

(\*) podľa EN 625

(\*\*) podľa EN 60529

Firma BAXI S.p.A. si z dôvodu neustáleho zlepšovania svojich výrobkov, vyhradzuje právo modifikovať kedykoľvek a bez predchádzajúceho upozornenia údaje uvedené v tejto dokumentácii. Táto dokumentácia má len informatívny charakter a nesmie byť použitá ako zmluva vo vzťahu k tretím osobám.

Stimate Client,

Compania noastră consideră că noua centrală termică achiziționată va răspunde tuturor exigențelor dumneavoastră. Achiziționarea unui produs **BAXI S.p.A.** garantează îndeplinirea tuturor așteptărilor dumneavoastră: o bună funcționare și o utilizare simplă și rațională.

Vă recomandăm să nu lăsați deoparte aceste instrucțiuni înainte de a le fi citit: acestea conțin informații utile pentru o exploatare corectă și eficientă a centralei dumneavoastră.

Fragmentele de ambalaj (pungi din plastic, polistiren etc.) nu trebuie să fie lăsate la îndemâna copiilor, întrucât constituie potențiale surse de pericol.


**BAXI S.p.A.** declară că aceste modele de centrale poartă marca CE, în conformitate cu cerințele esențiale ale următoarelor Directive:

- Directiva privitoare la gaz 2009/142/CE
- Directiva privitoare la Randament 92/42/CEE
- Directiva privitoare la Compatibilitatea Electromagnetică 2004/108/CE
- Directiva privitoare la joasă tensiune 2006/95/CE



## CUPRINS

### INSTRUCȚIUNI DESTINATE UTILIZATORULUI

1. Avertismente anterioare instalării	160
2. Avertismente anterioare punerii în funcțiune	160
3. Punerea în funcțiune a centralei termice	161
4. Reglarea temperaturii ambiante și a temperaturii apei menajere	161
5. Descrierea tastei  (Vară - Iarnă - Numai încălzire - Oprit)	162
6. Umplerea instalației	162
7. Oprirea centralei termice	162
8. Înlocuirea gazului	162
9. Oprirea de durată a instalației. Protecția împotriva înghețului (circuitul de încălzire)	163
10. Indicatoare. Intrarea în funcțiune a dispozitivelor de siguranță	163
11. Instrucțiuni de întreținere curentă	163

### INSTRUCȚIUNI DESTINATE INSTALATORULUI

12. Avertismente generale	164
13. Avertismente anterioare instalării	164
14. Montarea centralei	165
15. Dimensiuni centrală termică	165
16. Instalarea conductelor de evacuare-admisie	166
17. Conectarea la rețeaua electrică	170
18. Conectarea termostatului ambiental	170
19. Modalități de schimbare a tipului de gaz	171
20. Vizualizarea parametrilor pe afișaj (funcție "info")	173
21. Setarea parametrilor	174
22. Dispozitive de reglare și siguranță	175
23. Poziționarea electrozudului de aprindere și detectare a flăcării	176
24. Controlul parametrilor de combustie	176
25. Caracteristici debit/înălțime de pompare	176
26. Conectarea sondei externe	177
27. Întreținere anuală	177
28. Diagramă funcțională circuite	178
29. Diagramă cuplare conectori	179
30. Caracteristici tehnice	180



**BAXI S.p.A.**, unul dintre liderii europeni în fabricarea centralelor termice și a sistemelor de încălzire de înaltă tehnologie, a obținut certificarea CSQ pentru sistemele de management al calității (ISO 9001), de management de mediu (ISO 14001) și de management al sănătății și securității ocupaționale (OHSAS 18001). Aceasta înseamnă că BAXI S.p.A. are ca obiective strategice protecția mediului, fiabilitatea produselor sale și protecția securității și a sănătății angajaților.

Prin organizarea sa, întreprinderea este angajată să implementeze și să îmbunătățească aceste aspecte, pentru a satisface în cel mai bun mod posibil nevoile clienților



# 1. AVERTISMENTE ANTERIOARE INSTALĂRII

Această centrală este destinată încălzirii apei la o temperatură inferioară celei de fierbere la presiune atmosferică. Aceasta trebuie să fie racordată la o instalație de încălzire și la o rețea de distribuție a apei calde menajere, compatibilă cu prestațiile și puterea sa.

Înainte de racordarea centralei, efectuată de personal calificat profesional, este necesară efectuarea următoarelor operațiuni:

- a) O verificare pentru a vă asigura că centrala este proiectată pentru funcționarea cu tipul de gaz disponibil. Acest lucru este indicat pe inscripția de pe ambalaj și pe placa tipologică a aparatului.
- b) Efectuarea unui control al coșului de fum pentru a verifica dacă acesta are un tiraj corespunzător, să nu prezinte ștrangulări și să nu fie introduse în horn conducte de evacuare de la alte aparate, cu excepția cazului în care acesta este realizat pentru a servi mai multor utilizări, potrivit Normelor specifice și dispozițiilor în vigoare.
- c) Efectuarea unui control pentru a vă asigura că, în cazul racordurilor la hornuri preexistente, acestea au fost curățate perfect întrucât reziduurile, desprinzându-se de pe pereți în timpul funcționării, ar putea împiedica circulația fumului.
- d) Pe lângă acestea este indispensabil, în scopul păstrării unei funcționări corecte și a garanției aparatului, să respectați următoarele indicații:

## 1. Circuit de apă menajeră:

- 1.1. Dacă durezza apei depășește valoarea de 20 °F (1 °F = 10 mg de carbonat de calciu la litru de apă) se recomandă instalarea unui dozator de polifosfați sau a unui sistem cu efect identic, care să corespundă normativelor în vigoare.
- 1.2. Este necesară efectuarea unei spălări minuțioase a instalației după instalarea aparatului și înainte de utilizarea sa.
- 1.3. Materialele utilizate pentru circuitul de apă menajeră sunt conforme cu Directiva 98/83/CE.

## 2. Circuit de încălzire

### 2.1. instalație nouă

Înainte de instalarea centralei, instalația trebuie să fie curățată corespunzător, în scopul îndepărtării reziduurilor rămase de la filetări, sudări și eventuali solvenți, utilizând produse adecvate disponibile pe piață, fără acid și nealcaline, care să nu atace metalele, părțile din plastic și cauciuc. Produsele recomandate pentru curățare sunt: SENTINEL X300 sau X400 și FERNOX Regenerator pentru instalațiile de încălzire. Pentru utilizarea acestor produse urmați cu atenție instrucțiunile oferite odată cu produsele.

### 2.2. instalație existentă:

Înainte de instalarea centralei instalația trebuie să fie complet golită și curățată corespunzător de murdărie și impurități utilizând produsele adecvate disponibile pe piață menționate la punctul 2.1.

Pentru protejarea instalației de incrustații este necesară utilizarea produselor inhibitoare cum ar fi SENTINEL X100 și FERNOX Protector pentru instalațiile de încălzire. Pentru utilizarea acestor produse urmați cu atenție instrucțiunile oferite odată cu produsele.

Amintim faptul că prezența unor depuneri în instalația de încălzire cauzează probleme funcționale centralei (ex. supraîncălzire și zgomote la nivelul schimbătorului de căldură).

---

Nerespectarea acestor avertismente atrage după sine pierderea garanției aparatului

---

# 2. AVERTISMENTE ANTERIOARE PUNERII ÎN FUNCȚIUNE

Prima aprindere trebuie să fie efectuată de Serviciul de Asistență Tehnică autorizat care va trebui să verifice următoarele:

- a) Ca datele de pe placa tipologică a aparatelor să corespundă cu cele ale rețelelor de alimentare (cu energie electrică, apă, gaz).
- b) Ca instalarea să fie conformă normativelor în vigoare din care cităm un fragment în manualul tehnic destinat instalatorului.
- c) Ca racordarea electrică să fi fost efectuată regulamentar la o rețea cu împământare.

Lista cu Centrele de Asistență Tehnică autorizate poate fi găsită în foaia anexată. Nerespectarea celor de mai sus atrage după sine pierderea garanției.

Înainte de punerea în funcțiune, îndepărtați pelicula protectoare de pe centrală. Nu utilizați în acest scop instrumente sau materiale abrazive întrucât ar putea deteriora suprafețele vopsite.

---

*Este interzisă utilizarea acestui aparat de către persoane (inclusiv copii) cu capacități fizice, senzoriale și mintale reduse sau de persoane fără experiență și fără cunoștințe necesare, cu excepția cazurilor în care acestea sunt controlate și instruite privitor la folosirea aparatului de către o persoană responsabilă de siguranța lor.*

---

### 3. PUNEREA ÎN FUNCȚIUNE A CENTRALEI

Pentru o aprindere corectă, procedați ca mai jos:

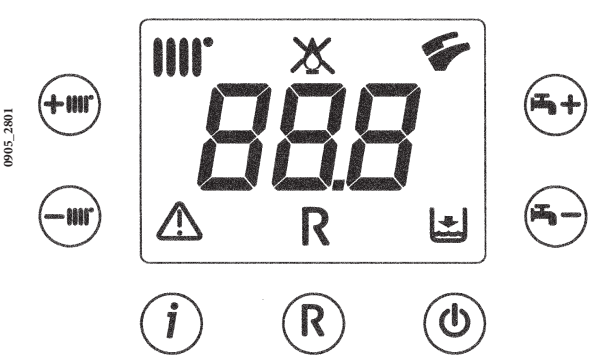
- 1) alimentați centrala cu energie electrică;
- 2) deschideți robinetul de gaz;
- 3) Apăsați tasta (🔌) pentru a alege regimul de funcționare Vară (🔥), Iarnă (🔥🔥🔥) sau Numai Încălzire (🔥🔥🔥);
- 4) Apăsați tastele (+/-) pentru reglarea temperaturii circuitului de încălzire (🔥🔥🔥) și de apă caldă menajeră (🚰), astfel încât să se aprindă arzătorul principal.

Când centrala este pornită, pe afișaj apare simbolul (🔥).

În poziția Vară (🔥), arzătorul principal se va aprinde numai în caz de preluare de apă caldă menajeră.

#### ATENȚIE

La prima aprindere, până când nu se evacuează aerul existent în conducta de gaz, este posibil ca arzătorul să nu se aprindă și prin urmare, centrala se blochează. În acest caz vă recomandăm să repetați operațiunile de aprindere, până când gazul ajunge la arzător, apășand tasta (R) pentru cel puțin 2 secunde.



#### LEGENDĂ SIMBOLURI

- 🔥🔥🔥 Funcționare în regim de încălzire
- 🔥 Prezență flacără (arzător aprins)
- 🚫 Pierdere flacără (lipsă aprindere)
- 🚰 Funcționare în regim de apă menajeră
- ⚠️ Anomalie generică
- R RESET
- 🚰 Lipsă apă (presiune joasă în instalație)
- 888 Indicator numeric (temperatură, cod. anomalie etc.)

#### LEGENDĂ TASTE

- 🔌 Pornire/Oprire/Vară/Iarnă
- 🔥🔥🔥 (+/-) : Reglare a temperaturii apei din circuitul de încălzire
- 🚰 (+/-) : Reglare a temperaturii apei din circuitul de apă menajeră
- R Reset
- i Informații

Figura 1

### 4. REGLAREA TEMPERATURII AMBIANTE ȘI A TEMPERATURII APEI MENAJERE

Instalația trebuie să fie dotată cu termostat ambiental pentru controlul temperaturii în încăperi.

Reglarea temperaturii ambiante (🔥🔥🔥) și a temperaturii din circuitul de apă menajeră (🚰) se efectuează prin apășarea tastelor corespunzătoare +/- (figura 1).

Când arzătorul e aprins, pe afișaj apare simbolul (🔥), așa cum se arată în secțiunea 3.1.

#### ÎNCĂLZIRE

În timpul funcționării în modul Încălzire, pe afișajul ilustrat în figura 1 apare simbolul (🔥🔥🔥) care clipește și temperatura din turul instalației de încălzire (°C).


#### APĂ CALDĂ MENAJERĂ

În timpul funcționării în modul Apă caldă menajeră, pe afișajul ilustrat în figura 1 apare simbolul (🚰) care clipește și temperatura de ieșire a apei calde menajere (°C).

## 5. DESCRIEREA TASTEI (Vară - Iarnă - Numai încălzire - Oprit)

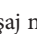
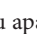
Prin apăsarea acestei taste se pot programa următoarele moduri de funcționare a centralei:

- VARĂ
- IARNĂ
- NUMAI ÎNCĂLZIRE
- OPRIT

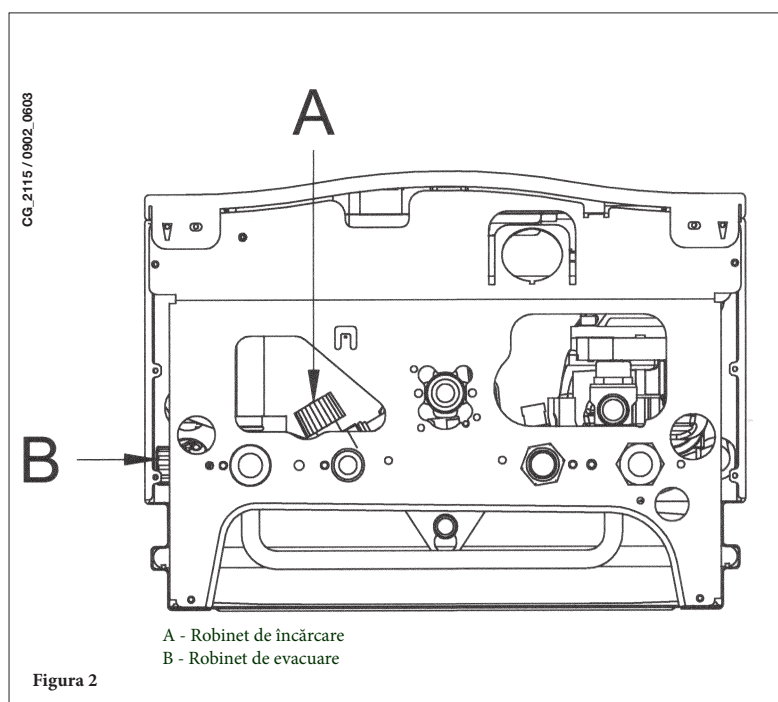
În modul VARĂ pe afișaj apare simbolul , pe afișaj apare simbolul (\*). Centrala satisface doar necesitățile de apă caldă menajeră, încălzirea NU este activă (funcția anti-îngheț este activă).

În modul IARNĂ pe afișaj apar simbolurile  . Centrala satisface atât necesitățile de apă caldă menajeră cât și cele de încălzire (funcția anti-îngheț este activă).

În modul NUMAI ÎNCĂLZIRE pe afișaj apare simbolul . Centrala satisface doar necesitățile de încălzire (funcția anti-îngheț este activă).

În cazul selectării modului OPRIT pe afișaj nu apare nici unul dintre simbolurile  . În această modalitate este activă doar funcția anti-îngheț în încăpere, orice solicitare de încălzire a apei menajere sau a încăperii nu va fi satisfăcută,

## 6. UMLEREA INSTALAȚIEI



### ATENȚIE

Deconectați centrala de la rețeaua electrică cu ajutorul întrerupătorului bipolar.

**IMPORTANT:** Verificați periodic ca presiunea, indicată pe manometru atunci când instalația este rece, să fie de 0,7 - 1,5 bari. În caz de suprapresiune, deschideți robinetul de evacuare al centralei, iar în caz de presiune joasă, deschideți robinetul de încărcare al centralei (figura 3).

Se recomandă ca deschiderea acestor robinete să fie efectuată foarte lent, pentru a înlesni evacuarea aerului.

Centrala este dotată cu un presostat hidraulic care, în caz de lipsă a apei, nu permite funcționarea centralei.

**NOTĂ:** Dacă se constată scăderi frecvente de presiune solicitați intervenția Serviciului de Asistență Tehnică autorizat.

## 7. OPRIREA CENTRALEI TERMICE

Pentru oprirea centralei este necesară deconectarea aparatului de la rețeaua de energie electrică. În modul "OPRIT" (secțiunea 5) centrala rămâne oprită (afișajul indică OFF), dar circuitele electrice rămân sub tensiune și este activă funcția antiîngheț (secțiunea 9).

## 8. ÎNLOCUIRE GAZ

Centralele pot funcționa fie cu gaz metan, fie cu gaz GPL.

În cazul în care se dovedește a fi necesară transformarea, adresați-vă Serviciului de Asistență Tehnică autorizat.

## 9. OPRIREA DE DURATĂ A INSTALAȚIEI. PROTECȚIE ÎMPOTRIVA ÎNGHEȚULUI

Se recomandă evitarea golirii întregii instalații de încălzire, întrucât schimburile de apă au ca efect și depunerile de calcar, inutile și dăunătoare, în interiorul centralei și al corpurilor de încălzire. Dacă pe timp de iarnă, instalația termică nu este utilizată și în cazul pericolului de îngheț, se recomandă amestecarea apei din instalație cu soluții anticongelante adecvate, destinate acestei întrebuințări specifice (ex. glicol propilenic asociat cu inhibitori ai incrustațiilor și corozionilor).

Unitatea electronică a centralei este prevăzută cu o funcție “antiîngheț” care, la o temperatură a apei din turul instalației, mai mică de 5 °C, face ca arzătorul să funcționeze, până la atingerea în tur a unei valori de 30 °C.

Această funcție este operațională dacă:

- \* centrala este alimentată cu energie electrică;
- \* există gaz;
- \* presiunea instalației este cea prescrisă;
- \* centrala nu este blocată.

## 10. INDICATOARE. INTRAREA ÎN FUNCȚIUNE A DISPOZITIVELOR DE SIGURANȚĂ

Anomaliile sunt vizualizate pe afișaj identificate de un cod de eroare (ex. E 01):



Figura 3

Pentru RESETAREA centralei, apăsați pentru cel puțin 2 secunde tasta “R”. În caz de intrare în funcțiune repetată a acestui dispozitiv, adresați-vă centrului de asistență tehnică autorizat.

**NOTĂ:** Este posibil să efectuați 5 încercări consecutive de reinițializare după care centrala se blochează.

Pentru efectuarea unei noi încercări de reinițializare, este necesar să opriți centrala pentru câteva secunde.

COD VIZUALIZAT	ANOMALIE	REZOLVARE
E01	Blocare lipsă aprindere	Apașati pentru cel puțin 2 secunde tasta “R”. În caz de intrare în funcțiune repetată a acestui dispozitiv, adresați-vă centrului de asistență tehnică autorizat.
E02	Blocare în urma intrării în funcțiune a termostatului de siguranță	Apașati pentru cel puțin 2 secunde tasta “R”. În caz de intrare în funcțiune repetată a acestui dispozitiv, adresați-vă centrului de asistență tehnică autorizat.
E03	Intrare în funcțiune a termostatului de gaze arse/presostatului gaze arse	Adresați-vă centrului de asistență tehnică autorizat.
E04	Blocare datorată stingerii flăcării după 6 ori consecutive	Apașati pentru cel puțin 2 secunde tasta “R”. În caz de intrare în funcțiune repetată a acestui dispozitiv, adresați-vă centrului de asistență tehnică autorizat.
E05	Defecțiune sondă tur	Adresați-vă centrului de asistență tehnică autorizat.
E06	Defecțiune sondă circuit de apă menajeră	Adresați-vă centrului de asistență tehnică autorizat.
E10	Lipsă consens al presostatului hidraulic	Verificați ca presiunea instalației să fie cea prescrisă. Consultați secțiunea 6. Dacă anomalia persistă, adresați-vă centrului de asistență tehnică autorizat.
E25/E26	Intrare în funcțiune a dispozitivului de siguranță, probabil din cauza blocării pompei.	Adresați-vă centrului de asistență tehnică autorizat.
E27	Poziție incorectă a sondei circuitului de apă caldă menajeră	Apăsați timp de cel puțin 2 secunde butonul “R”. În caz de intrare în funcțiune repetată a acestui dispozitiv, contactați Centrul de Asistență Tehnică autorizat.
E32	Alarmă calcar	Adresați-vă centrului de asistență tehnică autorizat.
E35	Flacără parazită (eroare flacără)	Apașati pentru cel puțin 2 secunde tasta “R”. În caz de intrare în funcțiune repetată a acestui dispozitiv, adresați-vă centrului de asistență tehnică autorizat.
E96	Oprire cauzată de întrerupere a alimentării	Resetarea este automată. Dacă anomalia persistă, adresați-vă centrului de asistență tehnică autorizat.

**NOTĂ:** în caz de anomalie, retroiluminarea afișajului clipește simultan cu codul de eroare indicat.

## 11. INSTRUCȚIUNI DE ÎNTREȚINERE CURENTĂ

Pentru a asigura centralei o eficiență absolută de funcționare și siguranță este necesar, la sfârșitul fiecărui sezon, să solicitați Serviciului de Asistență Tehnică autorizat, verificarea centralei.

O întreținere atentă va contribui întotdeauna la economisirea cheltuielilor de exploatare a centralei.

Curățarea externă a aparatului nu trebuie să fie efectuată cu substanțe abrazive, agresive și/sau ușor inflamabile (ex. benzină, alcool etc.) și, în orice caz, trebuie să fie efectuată când aparatul este oprit (vezi capitolul 7 “oprirea centralei termice”).



## 12. AVERTISMENTE GENERALE

Notele și instrucțiunile tehnice care urmează sunt adresate instalatorilor, pentru a le da acestora posibilitatea efectuării unei instalări perfecte. Instrucțiunile referitoare la pornirea și utilizarea centralei sunt conținute în partea destinată utilizatorului. Instalarea, întreținerea și exploatarea instalațiilor de uz casnic cu gaz trebuie efectuate de către personal calificat, potrivit normelor în vigoare.

Pe lângă acestea, trebuie amintite următoarele:

- Centrala poate fi utilizată în orice tip de instalație, cu: radiator, termoconvector, alimentate cu două tuburi sau cu unul singur. Secțiunile circuitului vor fi, în orice caz, calculate după metodele obișnuite, ținând cont de caracteristica debit – înălțime de pompare disponibilă la placă și menționată în secțiunea 25.
- Fragmentele de ambalaj (pungi din plastic, polistiren, etc.) nu trebuie lăsate la îndemâna copiilor, întrucât constituie potențiale surse de pericol.
- Prima pornire trebuie să fie efectuată de Serviciul de Asistență Tehnică autorizat, indicat în foaia anexată.

Nerespectarea celor de mai sus atrage după sine pierderea garanției.

### ATENȚIE: POMPA SUPLIMENTARA

În cazul utilizării unei pompe suplimentare pe circuitul de încălzire, poziționați-o pe returul centralei. Aceasta va asigura funcționarea corectă a presostatului de apă.

### ATENȚIE

În caz de racordare a unei centrale instantanee (mixtă) la o instalație cu panouri solare, temperatura maximă a apei menajere la intrarea în centrală nu trebuie să depășească 60 °C.

## 13. AVERTISMENTE ANTERIOARE INSTALĂRII

Această centrală este destinată încălzirii apei la o temperatură inferioară celei de fierbere la presiune atmosferică. Centrala trebuie să fie racordată la o instalație de încălzire și la o rețea de distribuție a apei calde menajere, compatibilă cu prestațiile și puterea sa. Înainte de racordarea centralei este indispensabil să efectuați următoarele:

- a) O verificare pentru a vă asigura că centrala este proiectată pentru funcționarea cu tipul de gaz disponibil. Acest lucru este indicat pe inscripțiile de pe ambalaj și pe placa tipologică a aparatului.
- b) Efectuarea unui control al coșului de fum pentru a verifica dacă acesta are un tiraj corespunzător, să nu prezinte ștrangulări și să nu fie introduse în horn conducte de evacuare de la alte aparate, cu excepția cazului în care acesta este realizat pentru a servi mai multor utilizări, potrivit Normelor specifice și dispozițiilor în vigoare.
- c) Efectuarea unui control pentru a vă asigura că, în cazul racordurilor la hornuri preexistente, acestea au fost curățate perfect întrucât reziduurile, desprinzându-se de pe pereți în timpul funcționării, ar putea împiedica circulația fumului.

Pe lângă acestea este indispensabil, în scopul păstrării unei funcționări corecte și garanției aparatului, să respectați următoarele indicații:

#### 1. Circuit de apă menajeră:

- 1.1. Dacă durezza apei depășește valoarea de 20 °F (1 °F = 10 mg de carbonat de calciu la litru de apă) se recomandă instalarea unui dozator de polifosfați sau a unui sistem cu efect identic, care să corespundă normativelor în vigoare.
- 1.2. E necesară efectuarea unei spălări minuțioase a instalației după instalarea aparatului și înainte de utilizarea sa.
- 1.3. Materialele utilizate pentru circuitul de apă menajeră sunt conforme cu Directiva 98/83/CE.

#### 2. Circuit de încălzire

##### 2.1. instalație nouă:

Înainte de instalarea centralei, instalația trebuie să fie curățată corespunzător, în scopul îndepărtării reziduurilor rămase de la filetări, sudări și eventuali solvenți, utilizând produse adecvate disponibile pe piață, fără acizi și nealcaline, care să nu atace metalele, părțile din plastic și cauciuc. Produsele recomandate pentru curățare sunt:

SENTINEL X300 sau X400 și FERNOX Regenerator pentru instalațiile de încălzire. Pentru utilizarea acestor produse urmați cu atenție instrucțiunile furnizate odată cu produsele.

##### 2.2. instalație existentă:

Înainte de montarea centralei, instalația trebuie să fie complet golită și curățată de murdărie și impurități, utilizând produsele adecvate disponibile pe piață menționate la punctul 2.1.

Pentru protejarea instalației de incrustații este necesară utilizarea produselor inhibitoare cum ar fi SENTINEL X100 și FERNOX Protector pentru instalațiile de încălzire. Pentru utilizarea acestor produse urmați cu atenție instrucțiunile furnizate odată cu produsele.

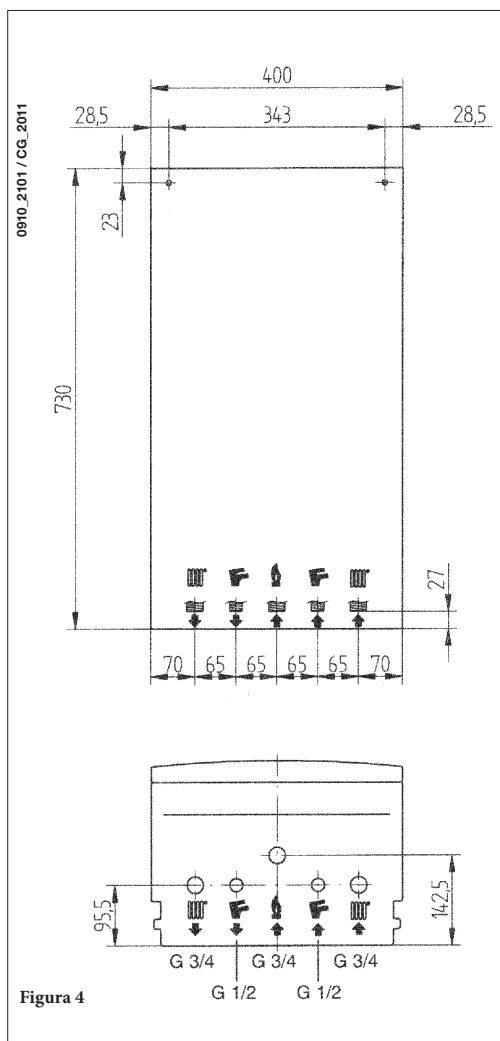
Amintim faptul că prezența unor depuneri în instalația de încălzire cauzează probleme funcționale centralei (ex. supraîncălzire și zgomote la nivelul schimbătorului de căldură).

---

**Nerespectarea celor de mai sus atrage după sine pierderea garanției aparatului.**

---

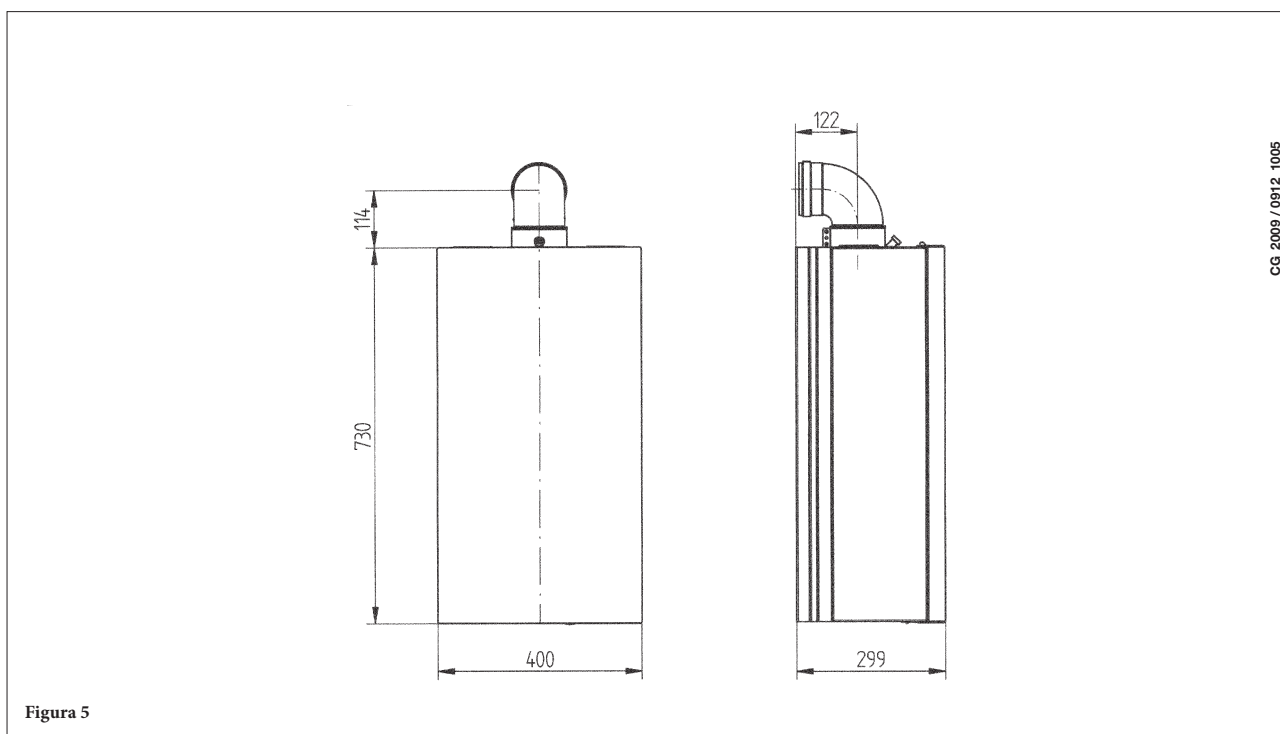
## 14. MONTAREA CENTRALEI



Alegeți locul de amplasare a centralei, apoi aplicați șablonul pe perete. Racordați țevile la orificiile de alimentare cu gaz și apă prevăzute pe latura inferioară a șablonului. Se recomandă să instalați pe circuitul de încălzire două robinete de interceptare (tur și retur) G3/4, disponibile la cerere, care permit, în caz de intervenții însemnate, efectuarea lucrărilor fără necesitatea de a goli în întregime instalația de încălzire. Dacă montați centrala pe o instalație existentă sau dacă o înlocuiți, vă recomandăm să montați un filtru de decantare pe țeava de retur a instalației, în partea de jos, pentru a colecta depunerile și reziduurile care pot rămâne și care pot fi puse în circulație în instalație, chiar și după spălare. Când centrala e fixată pe perete, racordați conductele de evacuare gaze arse și admisie aer (accesorii furnizate de producător) conform instrucțiunilor din secțiunile următoare. În cazul montării centralei cu tiraj natural, model 24, efectuați racordarea la horn cu ajutorul unui tub metallic rezistent în timp la solicitările mecanice, la temperaturile înalte, la acțiunea produșilor de combustie și la condens.

	G"3/4 TUR ÎNCĂLZIRE
	G"3/4 RETUR ÎNCĂLZIRE
	G"1/2 IEȘIRE APĂ CALDĂ MENAJERĂ
	G"1/2 INTRARE APĂ RECE MENAJERĂ
	G"3/4 ORIFICIU DE ALIMENTARE CU GAZ A CENTRALEI

## 15. DIMENSIUNI CENTRALĂ TERMICĂ



## 16. INSTALAREA CONDUCTELOR DE EVACUARE – ADMISIE

Instalarea centralei poate fi efectuată cu ușurință și flexibilitate, datorită accesoriilor livrate și descrise în continuare.

La origine, centrala este concepută pentru racordarea la o conductă de evacuare - admisie de tip coaxial, verticală sau orizontală. Cu ajutorul accesoriului de dublare este posibilă utilizarea și a conductelor separate.

**Utilizați pentru instalare numai accesoriile livrate de producător!**

**MĂSURI DE PRECAUȚIE:** Pentru a garanta o siguranță sporită în funcționare, conductele de evacuare a gazelor arse trebuie să fie bine fixate de perete cu ajutorul unor coliere de fixare.

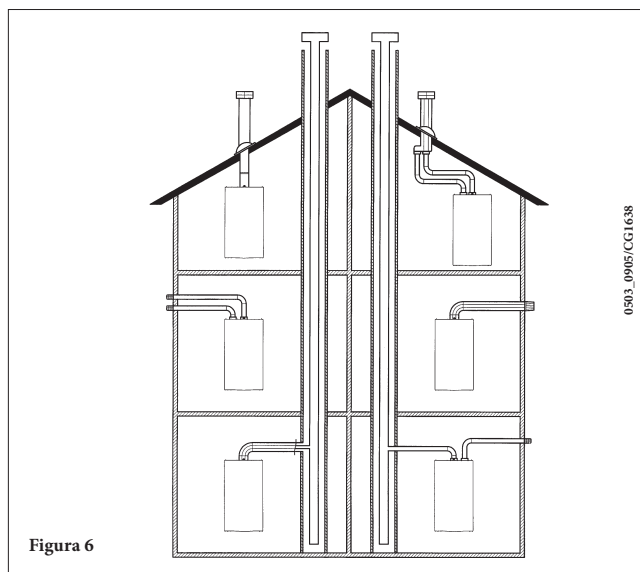


Figura 6

### ... CONDUCTĂ DE EVACUARE - ADMISIE COAXIALĂ (CONCENTRICĂ)

Acest tip de conductă permite evacuarea produselor de ardere și admisia aerului comburant atât în exteriorul edificiului, cât și în hornurile de tip LAS.

Cotul coaxial de 90° permite racordarea centralei la conducta de evacuare-admisie în orice direcție, deoarece se poate roti la 360°. În plus, poate fi utilizat și ca un cot suplimentar, alături de o conductă coaxială sau de un cot de 45°.

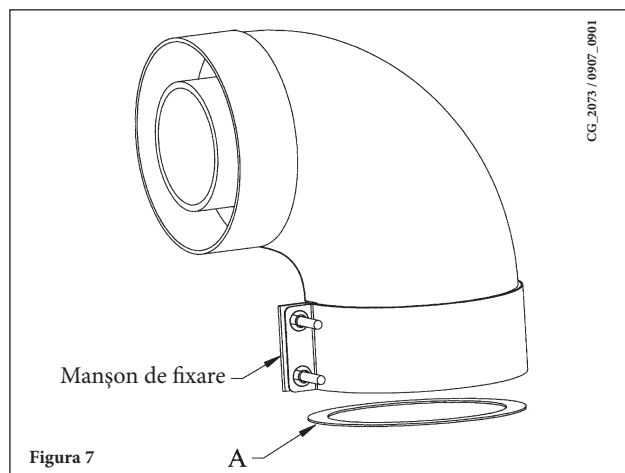


Figura 7

În caz de evacuare la exterior, conducta de evacuare-admisie trebuie să iasă din perete cu cel puțin 18 mm, pentru a permite poziționarea și sigilarea țiglei de protecție din aluminiu, în vederea evitării infiltrațiilor de apă.

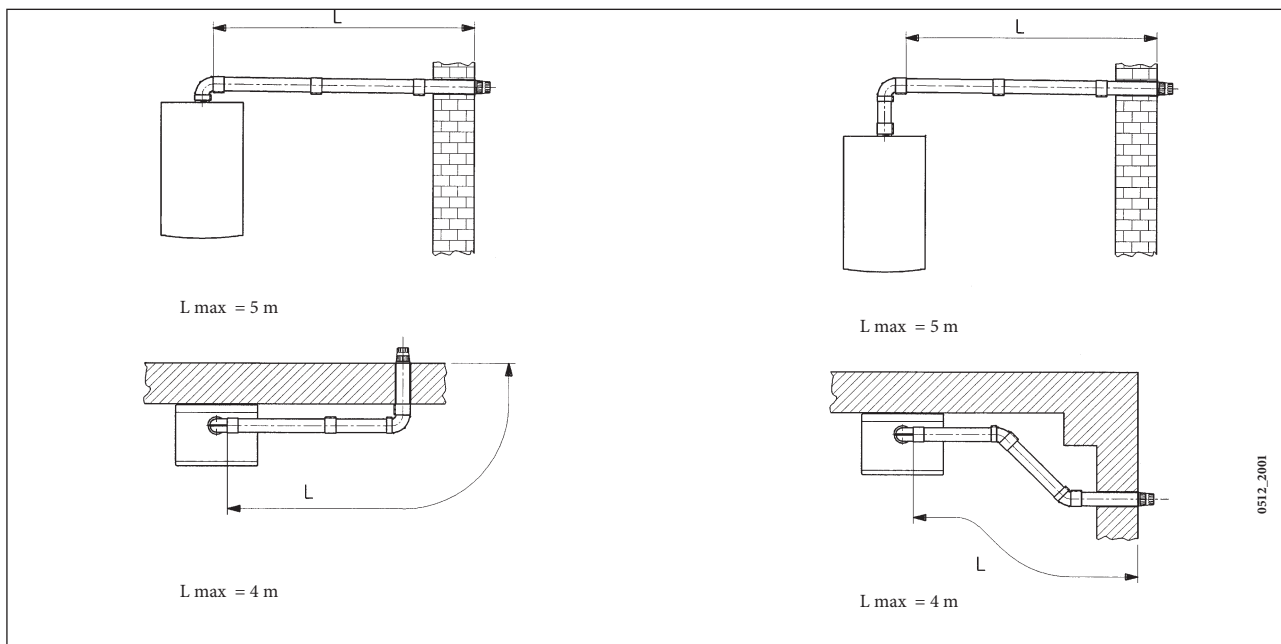
Asigurați o pantă minimă în jos, spre exterior, de 1 cm pentru fiecare metru de lungime al conductei.

- Un cot de 90° reduce lungimea totală a conductei cu 1 metru.
- Un cot de 45° reduce lungimea totală a conductei cu 0,5 metri.

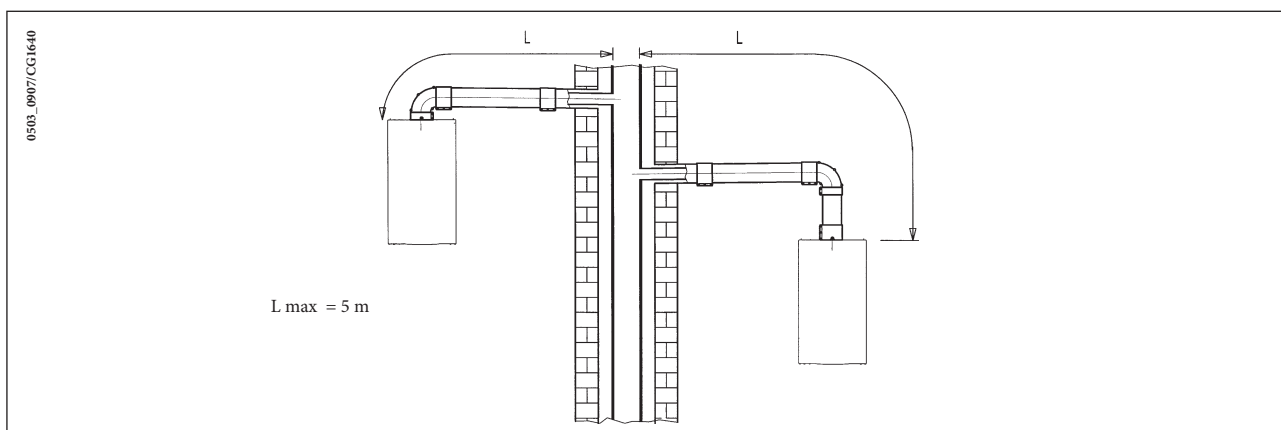
Primul cot de 90° nu este inclus în calculul lungimii maxime disponibile.

Lungime (m)	Evacuare REDUCȚIE Ⓐ
0 ÷ 1	Da
1 ÷ 5	Nu

## 16.1 EXEMPLE DE INSTALARE CU CONDUCTE ORIZONTALE

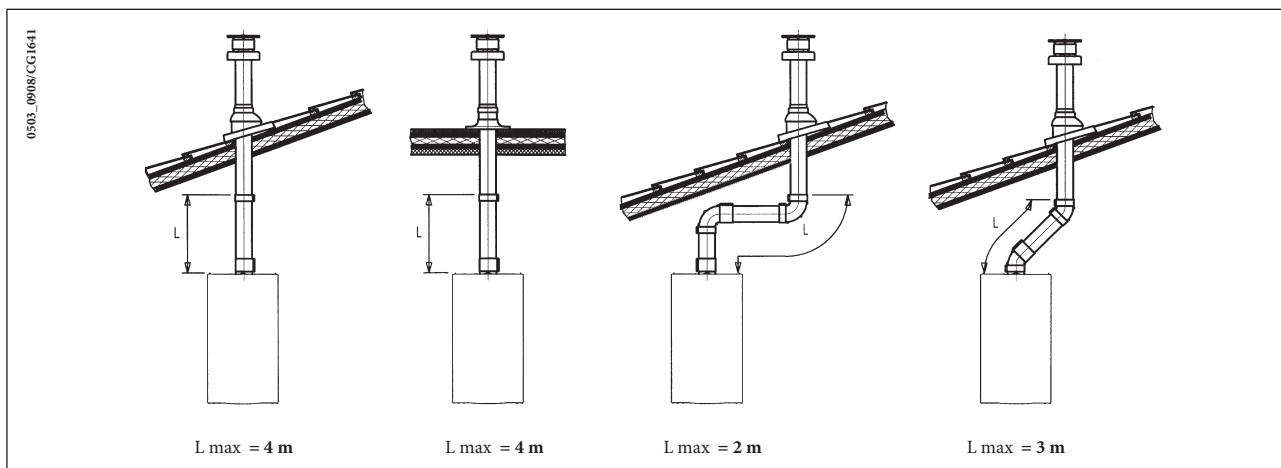


## 16.2 EXEMPLE DE INSTALARE CU HORNURI DE TIP LAS



## 16.3 EXEMPLE DE INSTALARE CU CONDUCTE VERTICALE

Instalarea poate fi efectuată atât în cazul acoperișului înclinat cât și în cazul acoperișului plan, montând un coș și țigla corespunzătoare cu dispozitivul de protecție (accesoriile suplimentare sunt furnizate la cerere).



Pentru instrucțiuni mai detaliate privind montarea accesoriilor, consultați datele tehnice care însoțesc accesoriile respective.

### ... CONDUCTE DE EVACUARE-ADMISIE SEPARATE

Acest tip de conductă permite evacuarea produselor de ardere atât în exteriorul clădirii, cât și în hornuri de evacuare separate. Admisia de aer comburant poate fi efectuată într-o zonă diferită față de cea în care e situată conducta de evacuare. Kit-ul separator conține un adaptor pentru conducta de evacuare (100/80) și un adaptor pentru conducta de admisie aer. Pentru adaptorul pentru conducta de admisie aer montați șuruburile și garniturile înlăturate în prealabil de pe capac.

(L1+L2)	Poziție Registru	Evacuare REDUCȚIE Ⓐ	CO <sub>2</sub> %	
			G20	G31
0 ÷ 4	1	Nu	6,4	7,4
4 ÷ 18	2			
18 ÷ 30	3			

*Primul cot de 90° nu este inclus în calculul lungimii maxime disponibile.*

Cotul de 90° permite racordarea centralei la conducta de evacuare-admisie indiferent de direcție, deoarece poate fi rotit la 360°. În plus, poate fi utilizat și ca un cot suplimentar, alături de conductă sau de un cot de 45°.

- Un cot de 90° reduce lungimea totală a conductei cu 0,5 metri.
- Un cot de 45° reduce lungimea totală a conductei cu 0,25 metri.

#### Reglarea registrului pentru sistemul separat

Reglarea acestui registru e necesară pentru a optimiza performanțele și parametrilor de ardere. Racordul de admisie aer (care poate fi montat în partea dreaptă sau stângă a conductei de evacuare) poate fi rotit pentru a regla aerul în exces, în funcție de lungimea totală a conductelor de evacuare și de admisie pentru aerul comburant. Rotiți acest registru în sens antiorar pentru a micșora cantitatea de aer comburant în exces și viceversa pentru a o mări.

Pentru a optimiza combustia se poate folosi un dispozitiv de analizare a produselor de ardere, pentru a măsura conținutul de CO<sub>2</sub> din gazele arse la puterea termică maximă, reglând aerul treptat pentru a atinge valoarea de CO<sub>2</sub> din tabelul de mai jos, dacă la analiză se constată o valoare mai scăzută.

Pentru a monta în mod corect acest dispozitiv, consultați instrucțiunile care însoțesc accesoriul.

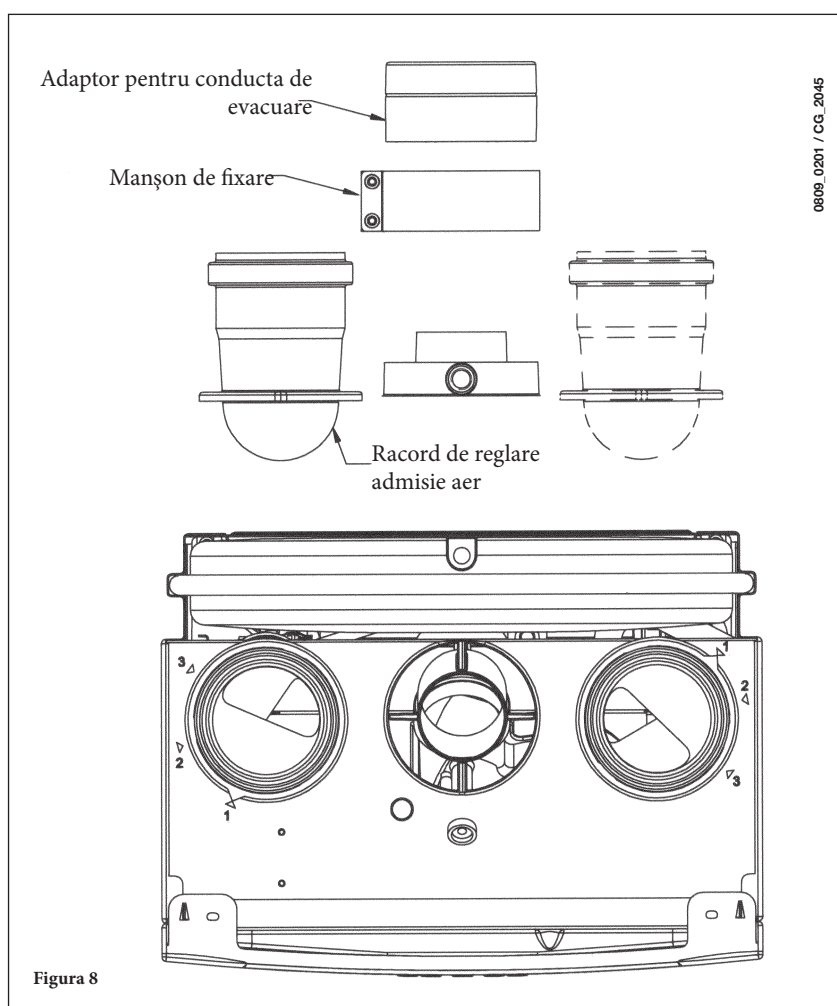
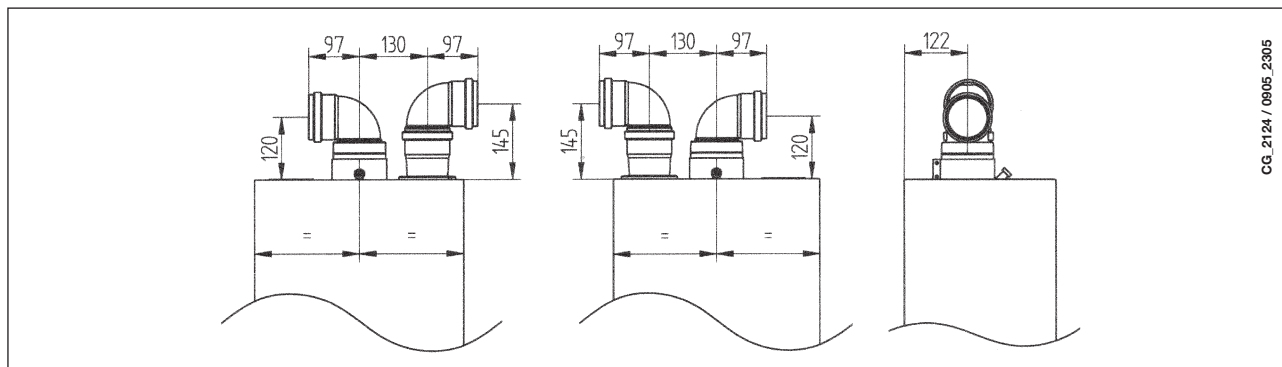


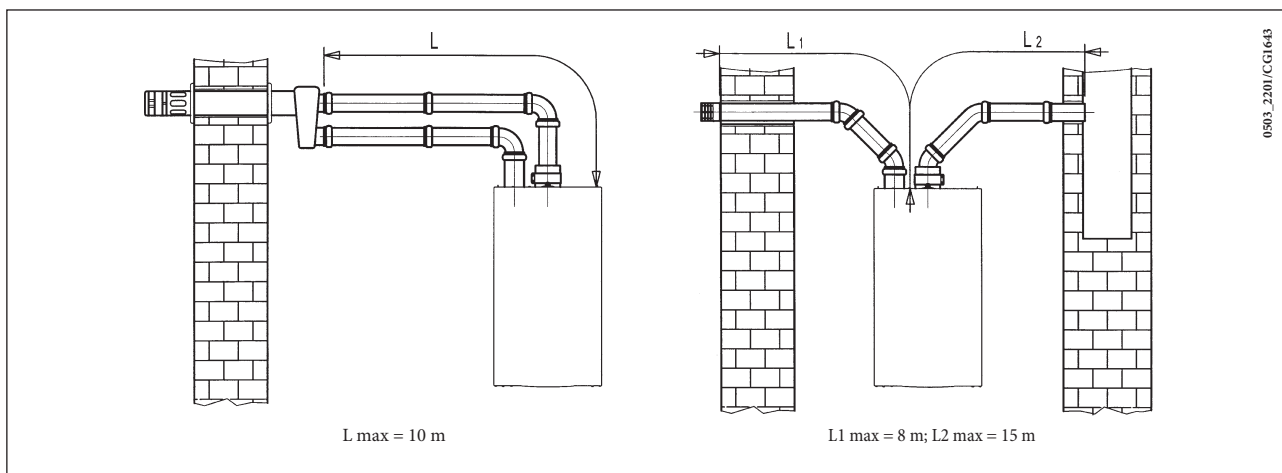
Figura 8

## 16.4 DIMENSIUNI TOTALE CONDUCTĂ DE EVACUARE DUBLĂ



## 16.5 EXEMPLE DE INSTALARE CU CONDUCTE DE EVACUARE ORIZONTALE SEPARATE

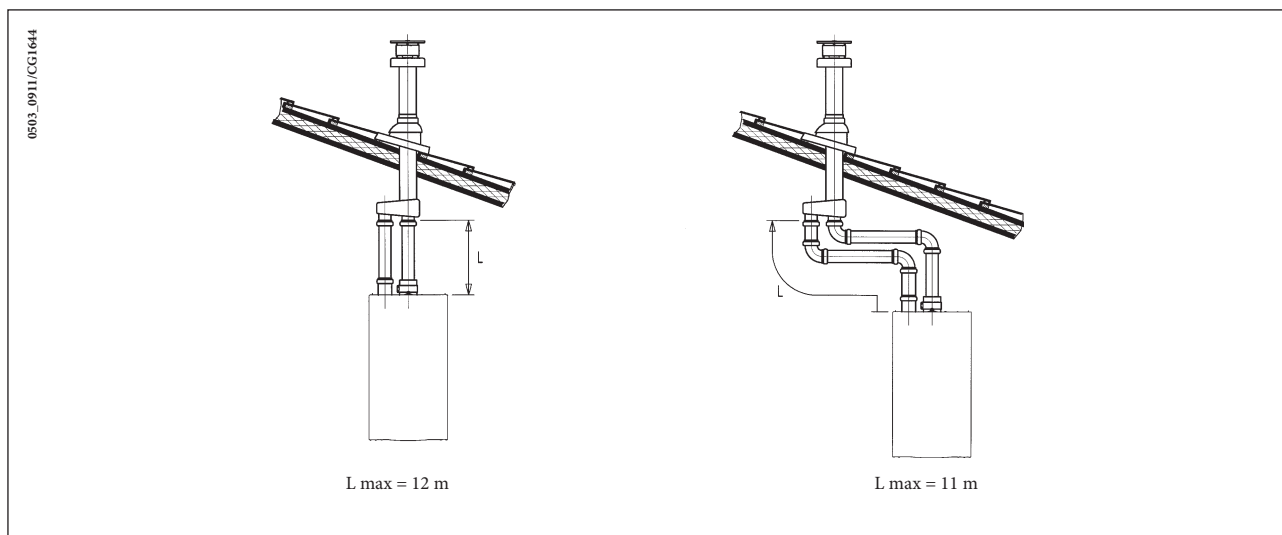
**IMPORTANT** - Asigurați o pantă minimă în jos, spre exterior, de 1 cm pentru fiecare metru de lungime al conductei. Dacă montați un kit de colectare a condensului, conducta de drenare trebuie să fie înclinată spre centrală.



**NB:** Pentru tipul C52, conductele de admisie a aerului comburant și de evacuare a produselor de ardere nu trebuie poziționate pe pereți opuși ai clădirii.

Dacă lungimea conductei de evacuare e mai mare de 6 m, kit-ul de colectare a condensului (livrat ca accesoriu) trebuie să fie montat lângă centrală.

## 16.6 EXEMPLE DE INSTALARE CU CONDUCTE DE EVACUARE VERTICALE SEPARATE



**IMPORTANT:** Dacă instalați o singură conductă de evacuare, asigurați-vă că e izolată corespunzător (de ex. cu vată de sticlă) în punctele în care aceasta traversează pereții clădirii.

Pentru instrucțiuni mai detaliate privind montarea accesoriilor, consultați datele tehnice care însoțesc accesoriile respective.

## 17. CONECTAREA LA REȚEAUA ELECTRICĂ

Siguranța electrică a aparatului este asigurată numai când acesta este racordat corect la o instalație de împământare eficientă, racordarea fiind efectuată conform normelor de siguranță în vigoare privitoare la instalații.

Centrala trebuie conectată electric la o rețea de alimentare 230 V monofazică + împământare cu ajutorul cablului trifilar din dotare, respectându-se polaritatea LINIE-NEUTRU.

**Conectarea trebuie efectuată prin intermediul unui întrerupător bipolar cu o deschidere a contactelor de cel puțin 3 mm.**

În cazul înlocuirii cablului de alimentare, a se utiliza un cablu de tip "HAR H05 VV-F" 3x0,75 mm<sup>2</sup> cu diametru maxim de 8 mm.

### ... Accesul la panoul de borne de alimentare

- Întrerupeți tensiunea în centrală cu ajutorul întrerupătorului bipolar;
- desfaceți cele două șuruburi de fixare a panoului de comandă la centrală;
- rotiți panoul de comandă;
- îndepărtați capacul pentru a avea acces la zona conexiunilor electrice (figura 9).

Fuzibilul de tip rapid de 2 A este încorporat în panoul de borne de alimentare (pentru control sau substituie, extrageți suportul fuzibilului, de culoare neagră).

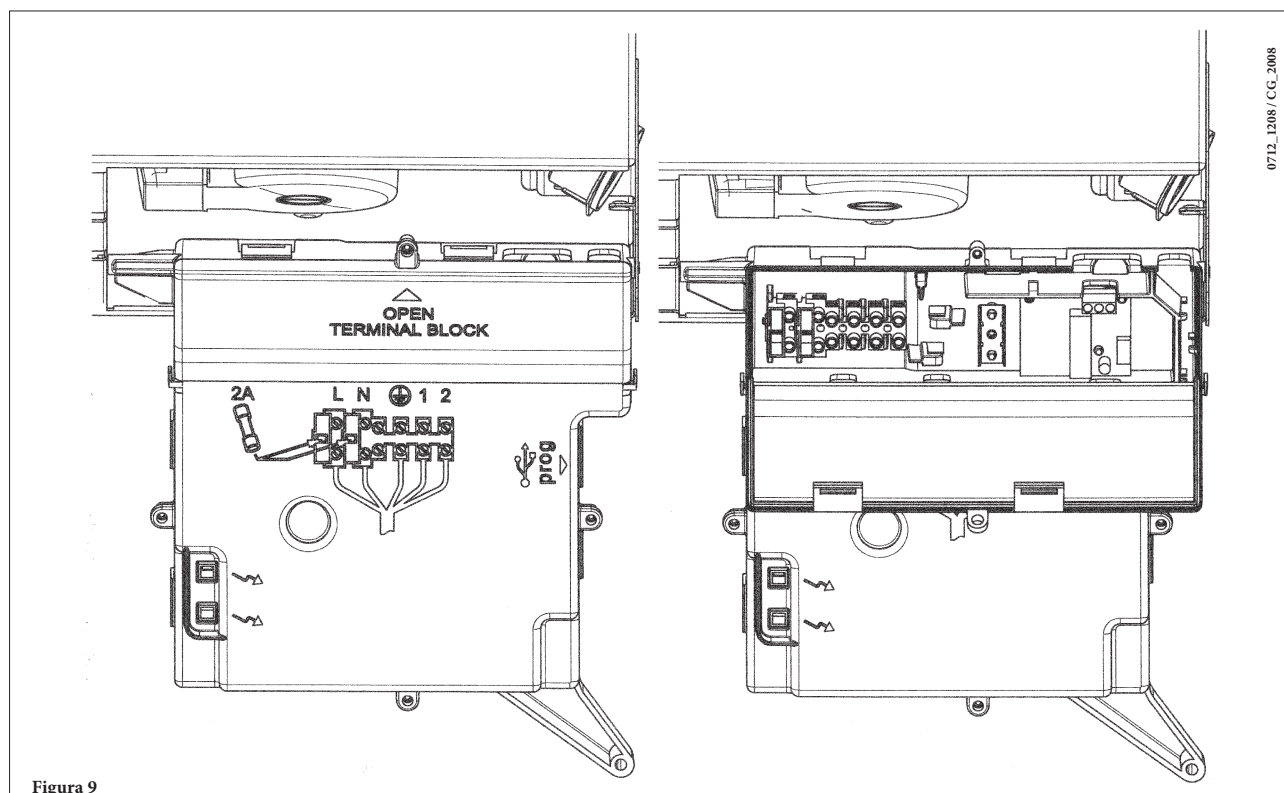
**IMPORTANT:** respectați polaritatea în alimentare L (FAZA) - N (NUL).

(L) = Faza (maro)

(N) = Nul (albastru)

⊕ = Împământare (galben-verde)

(1) (2) = Contact pentru termostat ambiental



## 18. CONECTAREA TERMOSTATULUI AMBIENTAL

- Accedeți la de borne de alimentare (figura 9) conform descrierii de la capitolul precedent;
- îndepărtați puntea de curent existentă pe bornele (1) și (2);
- introduceți cablul cu două fire prin orificiul special și conectați-l la aceste două borne.



## 19. MODALITĂȚI DE ÎNLOCUIRE A GAZULUI

Personalul calificat (al Serviciului de Asistență Tehnică autorizat) poate adapta această centrală pentru funcționarea cu gaz natural (G. 20) sau cu gaz lichid (G. 31).

Operațiile de efectuat sunt următoarele:

- A) înlocuirea injectoarelor arzătorului principal;
- B) schimbarea tensiunii la modulator;
- B) o nouă reglare de max. și min. a regulatorului de presiune.

### A) Înlocuirea injectoarelor

- Scoateți cu grijă arzătorul principal din locașul său;
- înlocuiți injectoarele arzătorului și strângeți-le bine pentru a evita scurgerile de gaz. Diametrele injectoarelor sunt specificate în tabelul 2.

### B) Modificarea tensiunii modulatorului

- Reglați parametrul F02 în funcție de tipul de gaz utilizat, așa cum se descrie în capitolul 21;

### C) Reglarea dispozitivului de reglare a presiunii

- Conectați priza de presiune pozitivă a unui manometru diferențial (dacă e posibil, pe bază de apă) la priza de presiune (Pb) a valvei de gaz (Figura 10). Numai pentru modelele cu cameră etanșă: conectați priza negativă a manometrului la un racord în "T" care să permită conectarea împreună a prizei de compensare a centralei, a prizei de compensare a valvei de gaz (Pc) și a manometrului. (Aceași măsurătoare poate fi efectuată prin conectarea manometrului la priza de presiune (Pb) după ce a fost scos panoul frontal al camerei etanșe.) O măsurare a presiunii la arzătoare efectuată prin metode diferite de cele descrise s-ar putea dovedi eronată, întrucât nu ar ține cont de presiunea joasă creată de ventilator în camera etanșă.

#### C1) Reglarea la putere nominală:

- deschideți robinetul de gaz și setați centrala în regimul Iarnă;
- deschideți robinetul de admisie a apei menajere la un debit de cel puțin 10 litri pe minut sau, în orice caz, asigurați-vă că există cerere maximă de căldură;
- îndepărtați capacul modulatorului;
- reglați șurubul din alamă (a) până la obținerea valorilor de presiune indicate în tabelul 1;
- verificați ca presiunea dinamică de alimentare a centralei, măsurată la priza de presiune (Pa) a valvei de gaz (Figura 10) să fie cea corectă (30 mbar pentru propan sau 20 mbar pentru gaz natural).

#### C2) Reglarea la putere redusă:

- deconectați cablul de alimentare al modulatorului și desfaceți șurubul (b) până la atingerea valorii presiunii corespunzătoare puterii reduse (vezi tabelul 1);
- reconectați cablul;
- montați capacul modulatorului și strângeți-l.

#### C3) Verificări finale

- Aplicați plăcuța suplimentară cu datele tehnice, care indică tipul de gaz și reglările efectuate.

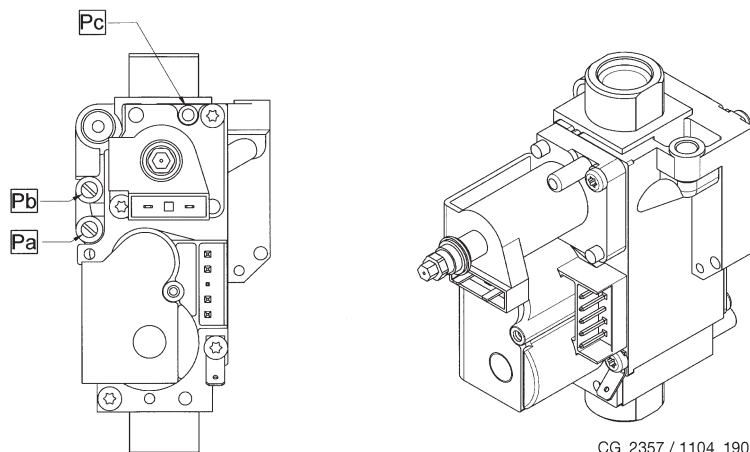


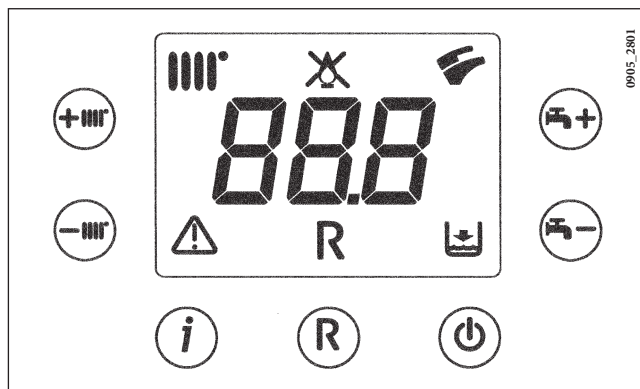
Figura 10

CG\_2357 / 1104\_1901

## 19.1 FUNCȚIA DE REGLARE A VALVEI DE GAZ

Pentru a facilita operațiile de reglare a valvei de gaz se poate seta funcția de reglare direct de la panoul de comandă al centralei, conform instrucțiunilor din continuare:

- Apăsați simultan timp de cel puțin 6 secunde tastele + și + și **100**
- După circa 6 secunde simbolurile încep să clipească;
- Pe afișaj sunt vizualizate, cu un interval de 1 secundă, numărul "100" și **temperatura turului**.  
În această fază centrala funcționează la puterea maximă în regim de încălzire (100%).
- Prin apăsarea tastelor +/- se poate seta instantaneu (100% sau 0%) puterea centralei.
- Reglați șurubul "pmax/pmin" (figura 10) până la obținerea valorii de presiune indicate în Tabelul 1.  
Pentru a regla presiunea la puterea maximă, folosiți șurubul "Pmax" (fig. 10): rotiți șurubul în sens orar pentru a mări sau în sens antiorar pentru a micșora presiunea la arzător.  
Pentru a regla presiunea la puterea minimă, folosiți șurubul "Pmin" (fig. 10): rotiți șurubul în sens antiorar pentru a mări sau în sens orar pentru a micșora presiunea la arzător.
- Prin apăsarea tastelor +/- se poate seta treptat nivelul de putere dorit (intervalul = 1%).



Pentru a ieși din funcție, apăsați tasta

### Notă

Funcția se dezactivează automat după un interval de 15 minute la sfârșitul căruia placa electronică revine la starea de funcționare anterioară activării funcției sau la atingerea temperaturii maxime setate.

## 19.2 MODIFICAREA PARAMETRILOR

Pentru a accede la parametri, procedați în felul următor:

- apăsați simultan tastele - și - timp de circa 6 secunde; pe afișaj apare inscripția "F01" care se alternează cu valoarea setată;
- apăsați tastele +/- pentru a derula lista parametrilor;
- pentru a mări sau a micșora valoarea parametrului selectat, apăsați respectiv tastele +/- ;
- apăsați tasta pentru memorarea parametrilor setați (pe afișaj apare pentru câteva secunde inscripția "MEM");
- apăsați tasta pentru a ieși fără memorare din funcția de programare (pe afișaj apare pentru câteva secunde inscripția "ESC").

### ATENȚIE

Pentru a înlocui tipul de gaz G20 cu G31, modificați parametrii F02, F08, F09, F10, F16, conform indicațiilor din tabelul de la secțiunea 21. Aplicați plăcuța suplimentară anume, pe care vor fi specificate tipul de gaz și reglările efectuate.

Tabel injectoare arzător

Gaz utilizat	G20	G31
diametru injector (mm)	1,28	0,77
Presiunea la arzător (mbar*) <b>PUTERE REDUSĂ</b>	2,0	5,7
Presiunea la arzător (mbar*) <b>PUTERE NOMINALĂ</b>	11,2	32,6
nr. de injectoare	13	

\* 1 mbar = 10,197 mm H<sub>2</sub>O

Tabelul 1

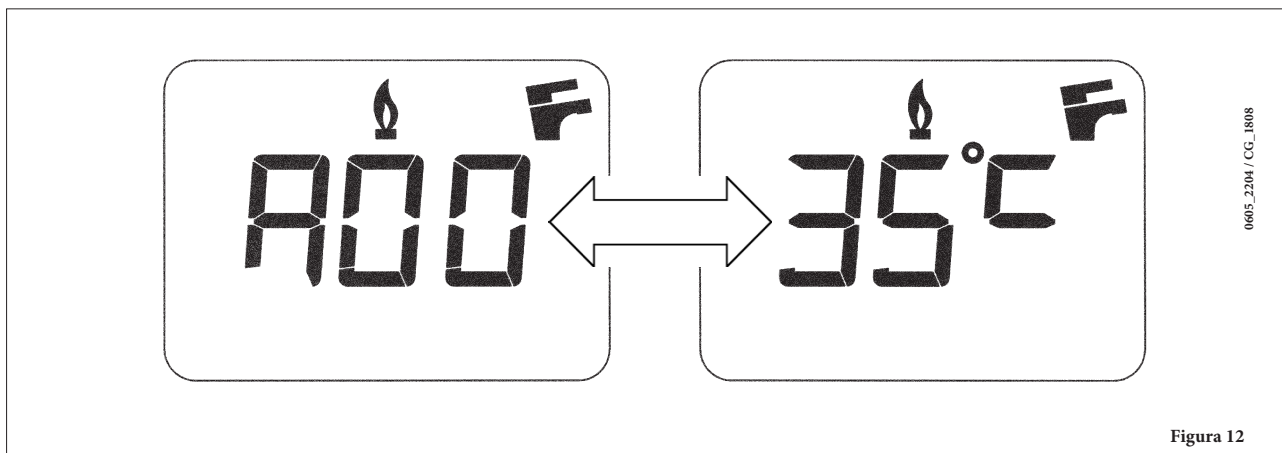
Consum 15°C-1013 mbar	G20	G31
<b>Putere nominală</b>	2,73 m <sup>3</sup> /h	2,00 kg/h
<b>Putere redusă</b>	1,12 m <sup>3</sup> /h	0,82 kg/h
<b>p.c.i.</b>	34,02 MJ/m <sup>3</sup>	46,34 MJ/kg


Tabelul 2

## 20. VIZUALIZAREA PARAMETRILOR PE AFIȘAJ (FUNCȚIE „INFO“)

Apăsați timp de cel puțin 5 secunde tasta „I”, pentru a vedea pe afișajul de pe panoul frontal al centralei unele informații privind funcționarea centralei.

**NOTĂ:** când funcția „INFO” este activă, pe afișaj (figura 12) este vizualizată inscripția „A00” care se alternează cu valoarea de temperatură din turul centralei:



- Apăsați tastele  (+/-) pentru a vizualiza următoarele informații:

**A00:** valoarea (°C) actuală a temperaturii din circuitul de apă menajeră;

**A01:** valoarea (°C) actuală a temperaturii externe (cu sonda externă conectată);

**A02:** valoarea (%) curentului la modulator (100% = 230 mA METAN - 100% = 310 mA GPL);

**A03:** valoarea (%) domeniului de putere (MAX R);

**A04:** valoarea (°C) temperaturii de setpoint în circuitul de încălzire;

**A05:** valoarea (°C) actuală a temperaturii din turul circuitului de încălzire;

**A06:** valoarea (°C) temperaturii de setpoint din circuitul de apă menajeră;



**A07:** Neutilizat;

**A08:** Neutilizat;




**A09:** ultima eroare care s-a verificat la centrală.

- Această funcție rămâne activă timp de 3 minute. Este posibil să întrerupeți anticipat funcția „INFO” prin apăsarea timp de cel puțin 5 secunde a tastei (i) sau prin deconectarea centralei de la rețeaua electrică.

## 21. SETAREA PARAMETRILOR

Pentru a seta parametrii de funcționare a centralei apăsați simultan tastele (- ) și (- ) timp de cel puțin 6 secunde. Când funcția este activă, pe afișaj apare inscripția "F01" care se alternează cu valoarea parametrului selectat.

### Modificarea parametrilor

- Pentru a derula parametrii apăsați tastele (+/- )
- Pentru a modifica valoarea unui singur parametru apăsați tastele (+/- )
- Pentru memorarea valorii apăsați tasta () , pe afișaj apare inscripția "MEM".
- Pentru a ieși din funcție fără memorare apăsați tasta (i) , pe afișaj apare inscripția "ESC".

	Descriere parametri	Valori setate în fabrica
F01	Tip centrală 10 = cameră etanșă - 20 = cameră deschisă	10
F02	Tipul de gaz utilizat 00 = METAN - 01 = GPL	00 o 01
F03	Sistem hidraulic	02
F04 F05	Setare releu programabil (Vezi instrucțiunile pentru Serviciul de asistență) 00 = nici o funcție asociată	00
F06	Setare setpoint maxim (°C) încălzire 00 = 76°C (Stingerea arzătorului la 80°C) 01 = 45°C	00
F07	Configurare intrare precedentă circuit de apă menajeră	02
F08	Putere max încălzire (0-100%)	100
F09	Putere max apă menajeră (0-100%)	100
F10	Putere min încălzire (0-100%)	00
F11	Timp de așteptare în regim de încălzire înainte de o nouă pornire (00-10 minute) - 00=10 secunde	03
F12	Diagnosticare (Vezi instrucțiunile pentru Serviciul de asistență)	--
F13	Tip schimbător 00 = 270 mm 01 = 225 mm	00
F14	Test verificare poziție corectă apă menajeră 00 = Dezactivat 01 = Întotdeauna activat	00
F15	Valoare setată în fabrică	00
F16...F17	Informații producător --- Neutilizat	00

## 22. DISPOZITIVE DE REGLARE ȘI SIGURANȚĂ

Centrala este fabricată astfel încât să respecte toate Normativele europene de referință și în particular este dotată cu:

- **Presostat aer**

Acest dispozitiv permite aprinderea arzătorului numai în caz de eficiență perfectă a circuitului de evacuare a gazelor arse.

În cazul prezenței uneia dintre aceste anomalii:

- extremitate de evacuare obturată;
- tub venturi obturat;
- ventilator blocat;
- conexiune tub venturi - presostat întreruptă,

centrala rămâne în așteptare, iar pe afișaj apare codul de eroare E03 (vezi tabelul de la secțiunea 10).

---

Este interzisă dezactivarea acestui dispozitiv de siguranță

---

- **Termostat de siguranță**

Acest dispozitiv, al cărui senzor este plasat pe turul circuitului de încălzire, întrerupe fluxul de gaz către arzător în caz de supraîncălzire a apei din circuitul primar. În aceste condiții, centrala se blochează și numai după înlăturarea cauzei intrării în funcțiune a dispozitivului este posibilă repornirea prin apăsarea tastei (R) timp de cel puțin 2 secunde.

---

Este interzisă dezactivarea acestui dispozitiv de siguranță

---

- **Detector cu ionizare în flacără**

Electrodul de detectare a flăcării, situat în partea dreaptă a arzătorului, garantează siguranța în cazul lipsei de gaz sau de aprindere incompletă a arzătorului.

În aceste condiții centrala se blochează după 3 încercări de aprindere.

Pentru a restabili condițiile normale de funcționare apăsați tasta (R), timp de cel puțin 2 secunde.

- **Presostat hidraulic**

Acest dispozitiv permite aprinderea arzătorului principal numai dacă presiunea în instalație este mai mare de 0,5 bari.

- **Postcirculație pompă pentru circuitul de încălzire**

Funcționarea suplimentară a pompei, obținută electronic, durează 180 de secunde și se activează când centrala funcționează în modul Încălzire, după stingerea arzătorului în urma intrării în funcțiune a termostatului ambiental.

- **Postcirculație pompă pentru circuitul de apă caldă menajeră**

Funcționarea suplimentară a pompei, obținută electronic, durează 30 de secunde și se activează când centrala funcționează în modul Apă caldă menajeră, după stingerea arzătorului în urma intrării în funcțiune a sondei.

- **Dispozitiv antiîngheț (circuit de încălzire)**

Unitatea electronică a centralei este prevăzută cu o funcție "antiîngheț" în circuitul de încălzire care, la o temperatură a apei din turul instalației mai mică de 5°C, face să funcționeze arzătorul până la atingerea în tur a unei valori de 30°C. Această funcție este operațională dacă centrala este alimentată cu energie electrică, dacă există gaz și dacă presiunea în instalație este cea prescrisă.

- **Lipsa circulației apei în circuitul primar (posibilă blocare a pompei)**

Dacă apa din circuitul primar nu circulă sau circulă insuficient, centrala se blochează, iar pe afișaj apare codul de eroare 25E (secțiunea 10).

- **Antiblocare pompă**

Dacă lipsește cererea de căldură timp de 24 de ore consecutive, pompa intră în funcțiune automat pentru 10 secunde.

Această funcție este activă dacă centrala este alimentată cu energie electrică.

- **Valvă de siguranță hidraulică (circuit de încălzire)**

Acest dispozitiv, reglat la 3 bari, e utilizat pentru circuitul de încălzire.

---

Se recomandă să racordați valva de siguranță la o conductă de evacuare cu sifon. Este interzisă utilizarea valvei pentru golirea circuitului de încălzire.

---

**NOTĂ:** apa caldă menajeră e asigurată chiar dacă sonda NTC a circuitului de apă menajeră e deteriorată. În acest caz, controlul temperaturii este efectuat cu ajutorul sondei de pe tur.

## 23. POZIȚIONAREA ELECTRODULUI DE APRINDERE ȘI DETECTARE A FLĂCĂRII

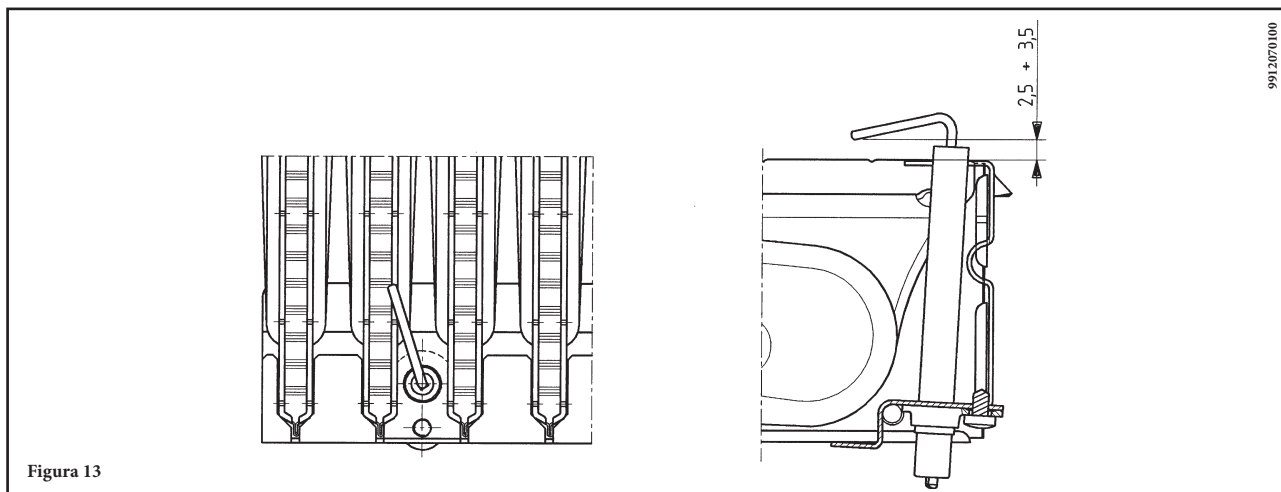


Figura 13

## 24. VERIFICAREA PARAMETRILOR DE COMBUSTIE

Pentru măsurarea randamentului de combustie și a calității produșilor de combustie, centrala este dotată cu două prize. O priză este conectată la circuitul de evacuare a gazelor arse și permite determinarea calității produșilor de combustie și a randamentului de combustie.

Cealaltă este conectată la circuitul de admisie a aerului și permite verificarea unei eventuale recirculații a produșilor de combustie în cazul conductelor coaxiale.

Prin priza conectată la circuitul gazelor arse pot fi măsurați următorii parametri:

- temperatura produșilor de combustie;
- concentrația de oxigen ( $O_2$ ) sau de dioxid de carbon ( $CO_2$ );
- concentrația de monoxid de carbon (CO).

Temperatura aerului comburant trebuie măsurată la priza conectată la circuitul de admisie a aerului introducându-se sonda corespunzătoare la circa 3 cm.

**NOTĂ:** Pentru reglarea puterii nominale, vezi capitolul 19 (C)

Pentru modelele de centrale cu tiraj natural, se va realiza un orificiu pe conducta de evacuare gaze arse, la o distanță de la centrală egală cu dublul diametrului interior al conductei.

Prin acest orificiu pot fi măsurați următorii parametri:

- temperatura produșilor de combustie;
- concentrația de oxigen ( $O_2$ ) sau de dioxid de carbon ( $CO_2$ );
- concentrația de monoxid de carbon (CO).

Temperatura aerului comburant se va măsura aproape de punctul în care aerul intră în centrală.

Orificiul, care va fi realizat de răspunzătorul de punerea în funcțiune a instalației, trebuie să fie sigilat astfel încât conducta de evacuare a produșilor de ardere să fie etanșă în timpul funcționării normale.

## 25. CARACTERISTICI DEBIT/ÎNĂLȚIME DE POMPARE

Pompa utilizată este o pompă cu o înălțime mare de pompare, potrivită pentru instalații de încălzire de orice tip, cu un singur sau cu două tuburi. Valva automată de aerisire, încorporată în pompă, permite evacuarea rapidă a aerului din instalația de încălzire.

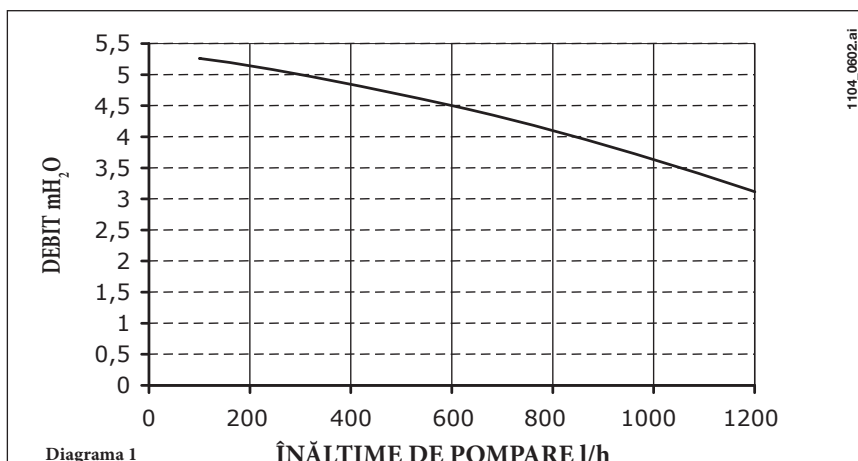

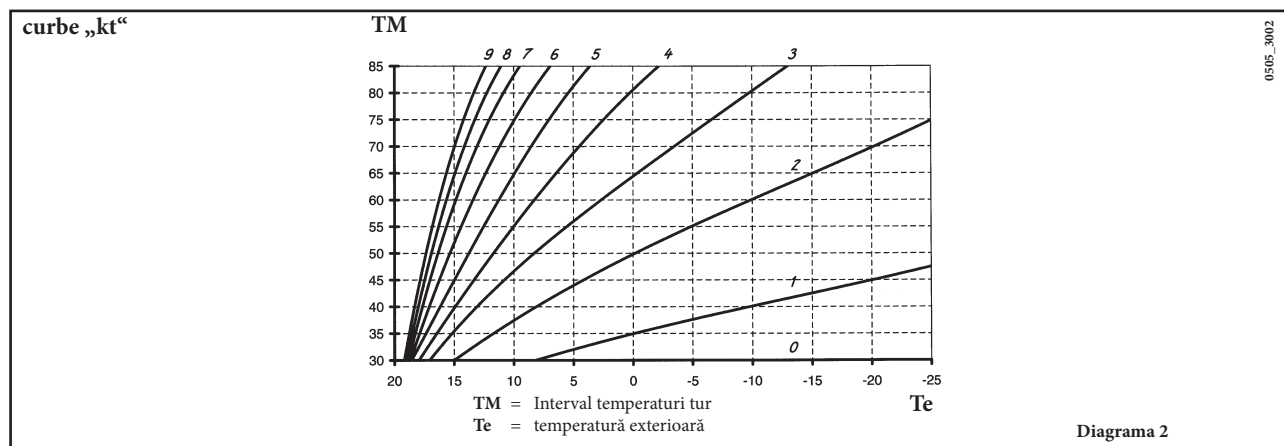


Diagrama 1

## 26. CONECTAREA SONDEI EXTERNE

Printre cablurile care ies din panou sunt două cabluri de culoare ROȘIE dotate cu conectori de tip faston. Conectați sonda externă la capetele acestor două cabluri.

Cu sonda externă conectată, este posibilă modificarea curbei „kt” (Diagrama 1), prin apăsarea tastelor +/- .



## 27. ÎNTREȚINERE ANUALĂ

În scopul asigurării unei eficiențe optime a centralei, este necesară efectuarea anuală a următoarelor verificări:

- verificarea aspectului și etanșeității garniturilor circuitului de gaz și ale circuitului de combustie;
- verificarea stării și poziției corecte a electrozilor de aprindere și detectare a flăcării;
- verificarea stării arzătorului și a fixării acestuia;
- verificarea eventualelor impurități prezente în interiorul camerei de combustie. Pentru curățare utilizați un aspirator;
- verificarea reglării valvei de gaz;
- verificarea presiunii din instalația de încălzire;
- verificarea presiunii vasului de expansiune;
- verificarea faptului că ventilatorul funcționează corect;
- verificarea faptului că conductele de evacuare/admisie nu sunt obturate.

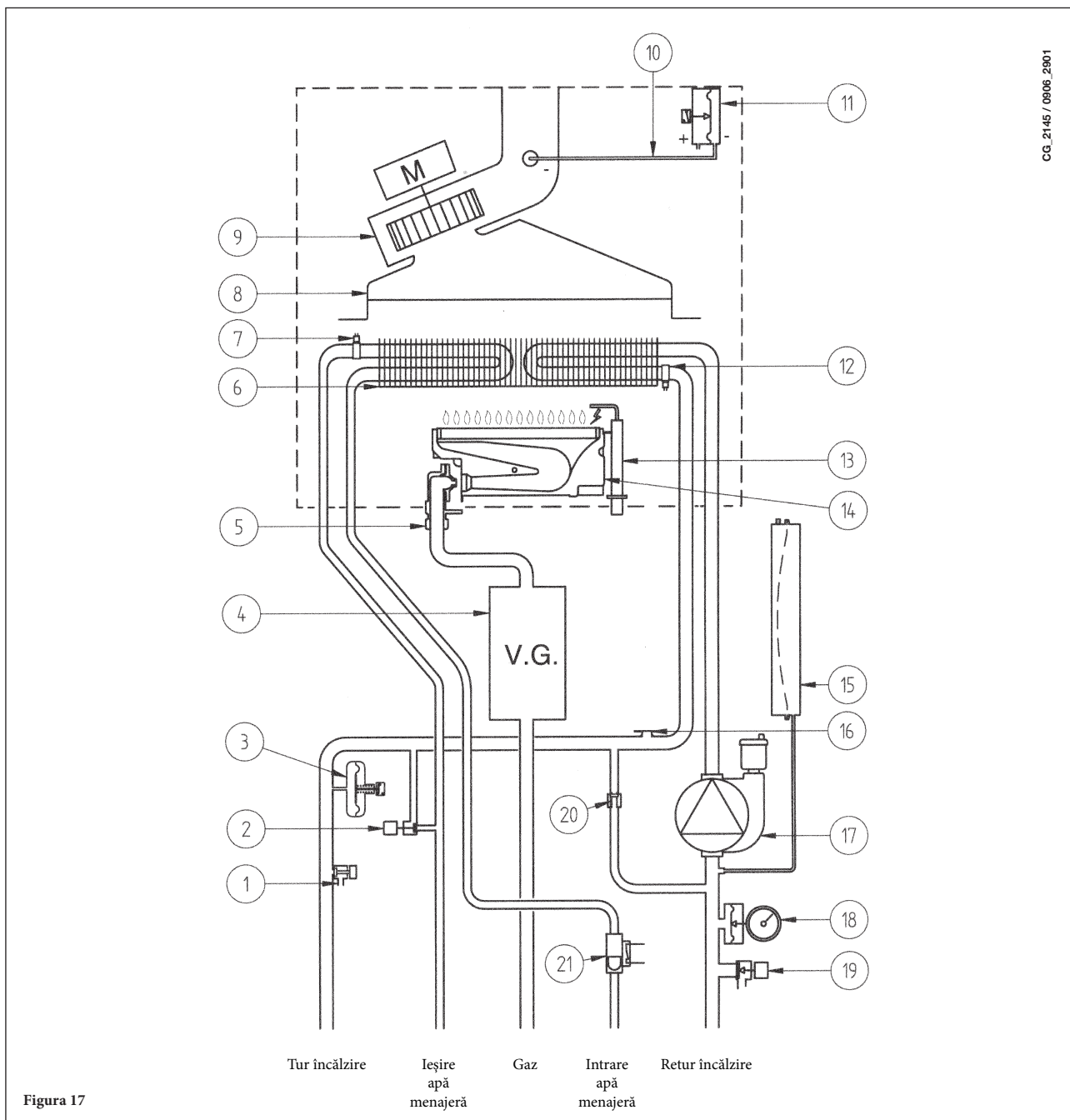
### ATENȚIE

Înainte de efectuarea oricărei intervenții asigurați-vă că centrala este deconectată de la rețeaua electrică.

După terminarea operațiilor de întreținere readuceți selectoarele și/sau parametrii de funcționare a centralei în pozițiile originale.



## 28. DIAGRAMĂ FUNCȚIONALĂ CIRCUITE

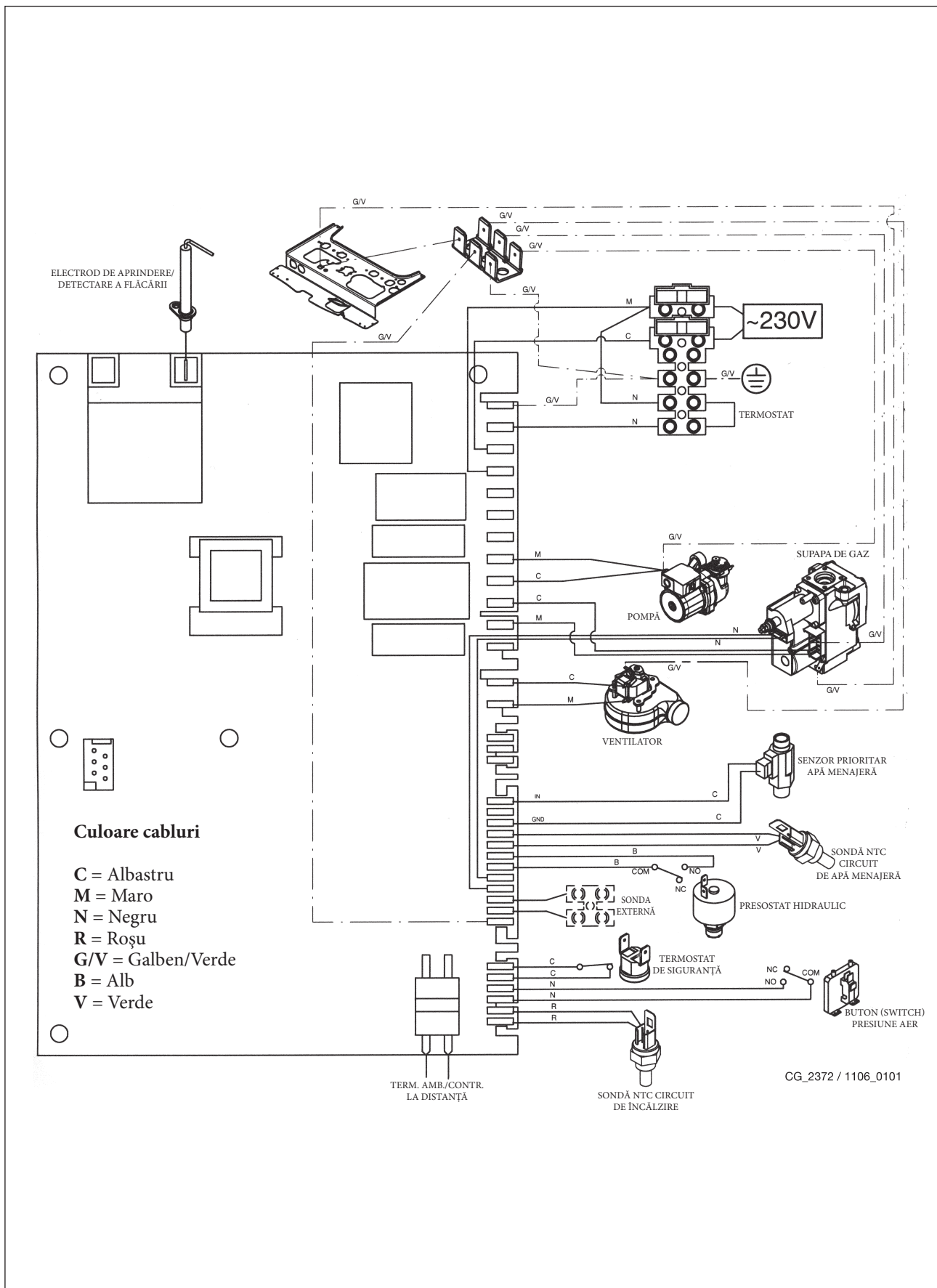


CG\_2145 / 0906\_2901

### Legendă:

- |    |                                   |    |  |
|----|-----------------------------------|----|--|
| 1  | Robinet de evacuare centrală      | 12 | Sondă NTC circuit de încălzire             |
| 2  | Robinet de încărcare centrală     | 13 | Electrod de aprindere/detectare a flăcării |
| 3  | Presostat hidraulic               | 14 | Arzător                                    |
| 4  | Valvă de gaz                      | 15 | Vas de expansiune                          |
| 5  | Rampă gaz cu injectoare           | 16 | Termostat de siguranță                     |
| 6  | Schimbător apă-gaze arse          | 17 | Pompă cu separator de aer                  |
| 7  | Sondă NTC circuit de apă menajeră | 18 | Manometru                                  |
| 8  | Hotă gaze arse                    | 19 | Valvă de siguranță                         |
| 9  | Ventilator                        | 20 | By-pass automat                            |
| 10 | Priză de presiune negativă        | 21 | Senzor prioritar apă menajeră              |
| 11 | Presostat aer                     |    |  |

## 29. DIAGRAMĂ CUPLARE CONECTORI



## 30. CARACTERISTICI TEHNICE

### Model MAINFOUR

Categorie		II <sub>2H3P</sub>	
Debit termic nominal	kW	25,8	
Debit termic redus	kW	10,6	
Putere termică nominală	kW	24	
	kcal/h	20.600	
Putere termică redusă	kW	9,3	
	kcal/h	8.000	
Randament conform Directivei 92/42/CEE	—	★★★	
Presiune maximă a apei în circuitul termic	bar	3	
Capacitate vas de expansiune	l	6	
Presiune vas de expansiune	bar	1	
Presiune maximă apă în circuitul de apă menajeră	bar	8	
Presiune minimă dinamică apă în circuitul de apă menajeră	bar	0,15	
Debit minim apă în circuitul de apă menajeră	l/min	2,0	
Producție apă menajeră cu $\Delta t = 25\text{ }^{\circ}\text{C}$	l/min	13,7	
Producție apă menajeră cu $\Delta t = 35\text{ }^{\circ}\text{C}$	l/min	9,8	
Debit specific (*)	l/min	11	
Interval de temperatură circuit de încălzire	$^{\circ}\text{C}$	30/76	
Interval de temperatură circuit de apă menajeră	$^{\circ}\text{C}$	35/55	
Tip	—	C12-C32-C42-C52-C82-B22	
Diametru conductă de evacuare concentrică	mm	60	
Diametru conductă de admisie concentrică	mm	100	
Diametru conductă de evacuare dublată	mm	80	
Diametru conductă de admisie dublată	mm	80	
Diametru conductă de evacuare	mm	-	
Debit masic max. gaze arse	kg/s	0,016	
Debit masic min. gaze arse	kg/s	0,016	
Temperatură max. gaze arse	$^{\circ}\text{C}$	149	
Temperatură min. gaze arse	$^{\circ}\text{C}$	119	
Clasă NOx	—	3	
Tip de gaz	—	G20	
	—	G31	
Presiune de alimentare cu gaz metan	mbar	20	
Presiune de alimentare cu gaz propan	mbar	30	
Tensiune de alimentare cu energie electrică	V	230	
Frecvență de alimentare cu energie electrică	Hz	50	
Putere electrică nominală	W	130	
Greutate netă	kg	31	
Dimensiuni	înălțime	mm	730
	lățime	mm	400
	adâncime	mm	299
Grad de protecție contra umidității și penetrării apei (**)		IP X5D	

(\*) Conform EN 625

(\*\*) Conform EN 60529

BAXI S.p.A., în efortul de a-și îmbunătăți mereu produsele, își rezervă dreptul de a modifica datele conținute în acest document în orice moment și fără preaviz. Aceste instrucțiuni au doar scopul de a furniza clienților informații privitoare la produs și în nici un caz nu pot fi considerate un contract cu o terță parte.







# **BAXI S.p.A.**

36061 BASSANO DEL GRAPPA (VI) ITALIA  
Via Trozzetti, 20  
Tel. 0424 - 517800    Telefax 0424/38089  
[www.baxi.it](http://www.baxi.it)

Ed. 1 - 06/11

Cod. 71.07031.02